



# *Your Reliable Power Partner*

*Standard Switching Power Supply Manufacturer*

2011  
October



## Celebrate The Past, Pioneer The Future



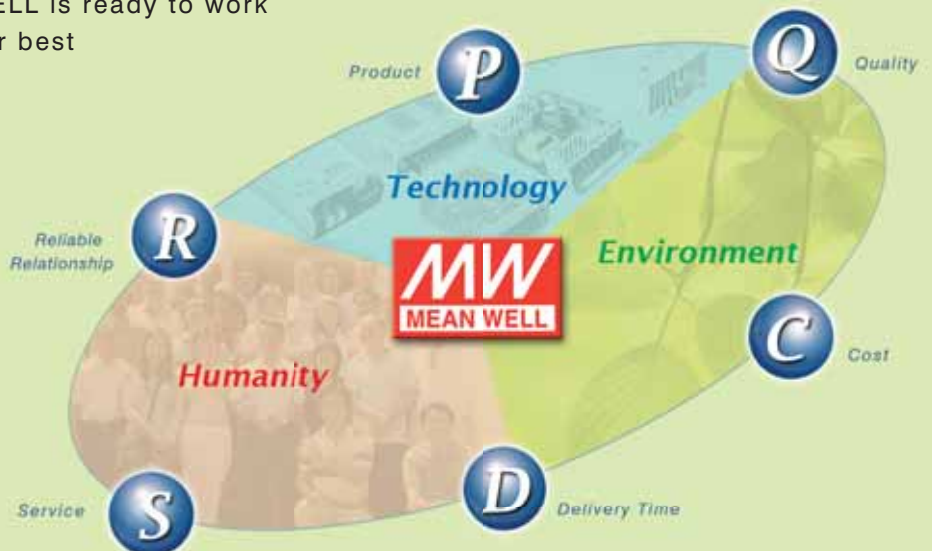
### MEAN WELL 30th Anniversary in 2012

Established in 1982, MEAN WELL is going to celebrate its 30th anniversary in 2012. during the past 30 years, our slogan “your reliable power partner” has been curved into the minds of all MEAN WELL employees and put into effect thoroughly between MEAN WELL and our valuable customers. Sure-footedly nurtured the core competency of P, Q, C, D, S, R (Product, Quality, Cost, Delivery, Service, and Reliable Relationship), we made every effort to accomplish the one stop shopping environment with the most complete standard power product lines.

In 2010, we acquired “Taiwan Superior Brand” and “Taiwan Excellence Product Award” from the Taiwan government. The awards not only represent the identification of our previous efforts on brand-building and product design, but also prove that MEAN WELL proceeds toward the right direction to continuously develop “green power products” with energy-saving concept. We are sure that this strategy will be kept in the coming years.



We are also proud of taking social responsibility and devote ourselves to the balance of “Technology, Humanity, and Environmental Consciousness”. This vision will be continued and implemented into our corporate strategy and daily operation. Rely on the cooperation of our distributors, suppliers, and employees, as well as the support of worldwide customers, we believe that MEAN WELL will become stronger and achieve another level of enterprise in the next 30 years. MEAN WELL is ready to work with you and always be your best reliable power partner!!



## ■ Enclosed Switching Power Supply

<b>G3 Series</b>	RS-15 / 25 / 35 / 50 / 75 / 100 / 150 RD-35 / 50 / 65 / 85 / 125 RID-50 / 65 / 85 / 125, RT-50 / 65 / 85 / 125 RQ-50 / 65 / 85 / 125	2~3
<b>NE Series</b>	NES-15 / 25 / 35 / 50 / 75 / 100 / 150 NED-35 / 50 / 75 / 100, NET-35 / 50 / 75 NES-200, NES-350	4~5
<b>SE Series</b>	SE-200, SE-350, SE-450 SE-600, SE-1000, SE-1500 SP-400	6 7
<b>PFC Series</b>	SP-75, SP-100, SP-150, SP-200, SP-240 SP-320, SP-480, SP-500, SP-750 PSP-600, RSP-1000, RSP-1500, RSP-2000 RSP-2400, RSP-3000, HDP-190, HDP-240 HSP-150, HSP-250 TP-75, TP-100, QP-100, TP-150, QP-150, QP-200, QP-320, QP-375 HRP-75, HRP-100, HRP[G]-150, HRP[G]-200 HRP[G]-300, HRP[G]-450, HRP[G]-600 SPV-150, SPV-300, SPV-600, SPV-1500	8 9 10 11 12~13 14 15 16
<b>U-bracket</b>	USP-150, USP-225, USP-350, USP-500	17
<b>19" Rack Power</b>	RCP-1000, RCP-1U, RCP-2000, RKP-1U RCP-MU, RKP-CMU1, RKP-1U, -CMU1	18 19
<b>Modular Series</b>	MP450, MP650, MP1K0 MS-75 / 150 / 300, MD-100	20~21
<b>DIN Series</b>	MDR-10 / 20 / 40 / 60 / 100 DR-15, DR-30, DR-60, DR-100 DR-45, DR-75, DR-120, DRP-240, DRP-480, DRP-480S DRH-120, DRT-240, DRT-480, DRT-960 SDR-120, SDR-240, SDR-480[P] WDR-120, WDR-240, WDR-480 DR-RDN20, DR-UPS40 TDR-960	22 23 24 25 26 27 28

## ■ Open Frame Switching Power Supply

<b>Medical Type</b>	PM-05, PM-10, PM-15, PM-20 NFM-05, NFM-10, NFM-15, NFM-20 MPS-30, MPS-45, MPD-45, MPT-45 RSD-300 RPS-60, RPD-60, RPT-60 MPS-65, MPD-65, MPT-65 RPS-75, RPD-75, RPT-75, RPS[G]-160, RPD[G]-160, RPT[G]-160 MPS-120, MPD-120, MPT-120, MPQ-120 MPS-200, MPD-200, MPT-200, MPQ-200	29 30 31 32 33 34
<b>General Type</b>	PS-05, PS-15, PS-25, PD-25 PS-35, PS-45, PD-45, PT-45 EPS-25/35 PT-4503, PT-6503, PS-65, PD-65, PT-65 RPD-65, RPT-65[C], PD-110, PQ-100 PPQ-100, PPS-125, PPT-125 ASP-150, PPS-200, PID-250 LPS-50, LPS-75, LPS-100, LPP-100, LPP-150 EPS-45[C], EPS-65[C], ELP-75[C]	35 36 37 38 39 40 41 42

## ■ External Switching Power Supply

<b>Charger</b>	PA-120, PB-120 ESC / P-120, ESC / P-240, PB-230, PB-300 PB-360[P], PB-600, PB-1000 2/3/8 Stage Charging GC30B, GC30U, GC30E, GC120, GC160, GC220 GC300	43 44 45 46
----------------	--	----------------------

## ■ External Switching Power Supply

<b>Green Adaptor</b>	GS06U, GS06E, GS12U, GS12E, GS15A, GS15B, GS15U, GS15E GE12, GE18, GE24 Interchangeable AC Inlet Plug GS18A, GS18B, GS18U, GS18E, GS25A, GS25B, GS25U, GS25E GS40, GS60, GS90, GS120 GS160, GS220, GS05U-USB ErP Compliance List	47 48 49 50 51
<b>Adaptor</b>	P25A, P25B, P50A DC Plug List MES30A, MES30B, MES30C, MES50A	52 53

## ■ Specific Purpose Power Supply

<b>Security Series</b>	SCP-35, SCP-50, SCP-75, PSC-60[C], PSC-100[C] ADS-55, ADS-155, AD-55, AD-155, ADD-55, ADD-155	54 55
<b>ATX Power</b>	IPC-200, IPC-250, IPC-300 YP-350A, YP-400A, YP-450A, YP-350J	56

## ■ DC/DC Converter

<b>Module Type</b>	SRS, SUS01 SBT01, SFT01, DET01 SPR01, SMU01, SMA01 SPU02, SPA02, SPB03 SCW03, DCW03, SCW05, DCW05 SLW05, DLW05, SCW08, DCW08 SKE10, DKE10, SCW12, DCW12 SKM15, SKA15, DKA15 SKE15, DKE15, SKA20 DKA30, TKA30, SDM30 SKA40, MHB75 MHB100, MHB150	57 58 59 60 61 62 63 64 65 66 67 68
<b>On Board Type</b>	NSD05, NSD10-S, NSD10-D NSD15-S, NSD15-D, NID30, NID60	69 70
<b>PCB Type</b>	PSD-05, PSD-15, PSD-30, PSD-45	71
<b>Enclosed Type</b>	SD-15, SD-25, SD-50, SD-100 SD-150, SD-200, SD-350, SD-500 SD-1000, RSD-100, RSD-150, RSD-200	72 73 74

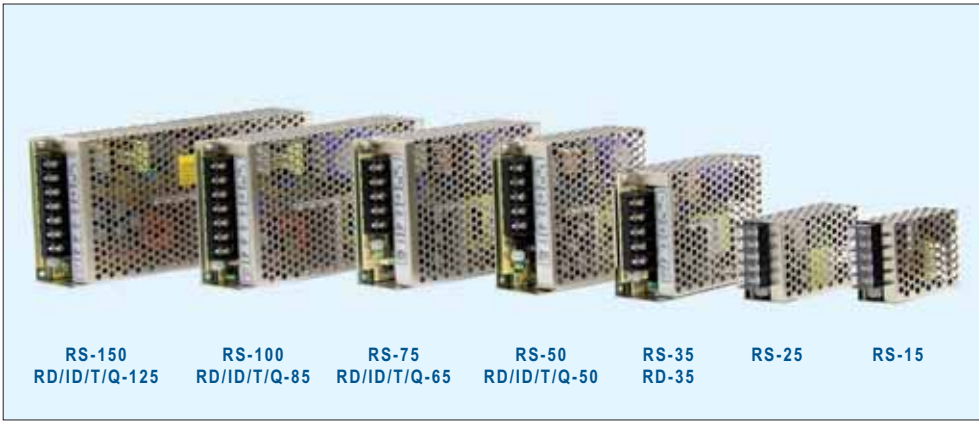
<b>LED Series</b>	Introduction of LED Power Family	75
-------------------	----------------------------------	----

<b>Inverter Series</b>	Introduction of Inverter Family	76
------------------------	---------------------------------	----

## ■ Accessories / Case Drawing

<b>Case Drawing</b>	Case 901 / 902 / 903 / 905 / 906 / 907 Case 910/912(B)/915A/916(A/B)/919/920A Case 926 / 927 / 928 / 929 / 931 / 932 Case 935 / 939 / 940 / 941 / 943 / 946A Case 952B / 963 / 971A / 977A / 980A / 986 Case 987A / 988 / 995 / 996A / 998A / 999 Case 956 / 962A / 973A / 992A / 979A / 984A	77 78 79 80 81 82 83
<b>Accessories</b>	DRL-01 / 02 / 03 / 03A, DRP-01 / 02 / 03 MHS012 / 013 / 014 / 025 / 026 / 027 TBC05 / 07 / 08	84

	: New Announced		: Available by Request
	: New Product within 1 Year		: Supplementary Information
	: Under Development		



### ■ Features

- No load power consumption <0.5W (RS-15~75)
- All using 105°C long life electrolytic capacitors
- Protections: Short circuit / Overload / Over voltage / Over Temp. (RS-15)
- Meet EMS EN50082-2/EN61000-6-2 heavy industry level (35~150W)
- Withstand 300VAC surge input for 5 sec.
- High operating temperature up to 70°C
- Withstand 5G vibration test
- Miniature size, high power density
- High efficiency, long life and high reliability
- LED indicator for power on
- 100% full load burn-in test
- Suitable for critical applications
- 3 years warranty

RS-150 RD/ID/T/Q-125    RS-100 RD/ID/T/Q-85    RS-75 RD/ID/T/Q-65    RS-50 RD/ID/T/Q-50    RS-35 RD-35    RS-25    RS-15

### ■ General Specification (Please refer to [www.meanwell.com](http://www.meanwell.com) for detail spec.)



Model No.	RS-15	RS-25	RS-35 RD-35	RS-50 RD / ID / T / Q-50	RS-75 RD / ID / T / Q-65	RS-100 RD / ID / T / Q-85	RS-150 RD / ID / T / Q-125	
AC input voltage range	85~264VAC, 120~370VDC	88~264VAC, 125~373VDC					115 / 230VAC by switch	
AC inrush current (max.)	Cold start, 65A at 230VAC	30A at 230VAC	36A at 230VAC	33A at 230VAC	40A at 230VAC			
DC adjustment range	±10% by potentiometer for single output; CH1 -5%~+10% by potentiometer for multiple output							
Overload protection	>105%, hiccup mode	110%~180%	110%~150% hiccup mode, auto-recovery (150% ~190% for RID-125-1205/2405)					
Over voltage protection	115%~135%, Shut off	115%~135% rated output voltage, hiccup mode, auto-recovery						
Withstand voltage	I/P - O/P: 3kVAC, I/P - FG: 1.5kVAC, O/P - FG: 0.5kVAC, 1 minute							
Working temperature	-20°C~+70°C		-25°C~+70°C (refer to the derating curve for different models)					
Vibration	10~500Hz, 5G 10min/1 cycle, period for 60 min each along X, Y, Z axes							
Safety standards	UL60950-1, TUV EN60950-1 approved							
EMC standards	EN55022 class B, EN61000-3-2,3, EN61000-4-2,3,4,5,6,8,11, EN61000-6-2 (EN50082-2) (35~150W)							
Connection	Terminal block for input and output							
Dimension (LxWxH)(mm)	62.5x 51x 28	78x 51x 28	99x 82x 36	99x 97x 36	129x 97x 38	159x 97x 38	199x 98x 38	
Case No.	971A	931A	932A	905B	903	901C	902A	
Packing	108pcs /15.0kg	60pcs /13.0kg	45pcs /14.0kg	45pcs /19.5kg	30pcs /13.3kg	24pcs /15.4kg	20pcs /15kg	

### ■ 15W — Single Output

Model No.	Output	Tol.	R&N	Effi.
RS-15-3.3	3.3V, 0~3.0A	±3%	80mV	72%
RS-15-5	5V, 0~3.0A	±2%	80mV	77%
RS-15-12	12V, 0~1.3A	±1%	120mV	81%
RS-15-15	15V, 0~1.0A	±1%	120mV	81%
RS-15-24	24V, 0~0.625A	±1%	200mV	82%
RS-15-48	48V, 0~0.313A	±1%	200mV	82%

RS-50-15	15V, 0~3.4A	±1%	120mV	86.0%
RS-50-24	24V, 0~2.2A	±1%	120mV	88.0%
RS-50-48	48V, 0~1.1A	±1%	200mV	89.0%

### ■ 75W — Single Output

Model No.	Output	Tol.	R&N	Effi.
RS-75-3.3	3.3V, 0~15A	±3%	80mV	75.0%
RS-75-5	5V, 0~12A	±2%	80mV	79.0%
RS-75-12	12V, 0~6.0A	±1%	120mV	84.5%
RS-75-15	15V, 0~5.0A	±1%	120mV	86.0%
RS-75-24	24V, 0~3.2A	±1%	120mV	88.5%
RS-75-48	48V, 0~1.6A	±1%	200mV	89.5%

### ■ 25W — Single Output

Model No.	Output	Tol.	R&N	Effi.
RS-25-3.3	3.3V, 0~6.0A	±3%	80mV	73.5%
RS-25-5	5V, 0~5.0A	±2%	80mV	78.5%
RS-25-12	12V, 0~2.1A	±1%	120mV	81.5%
RS-25-15	15V, 0~1.7A	±1%	120mV	83.5%
RS-25-24	24V, 0~1.1A	±1%	120mV	86.0%
RS-25-48	48V, 0~0.57A	±1%	200mV	85.0%

### ■ 100W — Single Output

Model No.	Output	Tol.	R&N	Effi.
RS-100-3.3	3.3V, 0~20A	±3%	80mV	74%
RS-100-5	5V, 0~16A	±2%	80mV	77%
RS-100-12	12V, 0~8.5A	±1%	120mV	81%
RS-100-15	15V, 0~7.0A	±1%	120mV	82%
RS-100-24	24V, 0~4.5A	±1%	120mV	84%
RS-100-48	48V, 0~2.3A	±1%	200mV	84%

### ■ 35W — Single Output

Model No.	Output	Tol.	R&N	Effi.
RS-35-3.3	3.3V, 0~7.0A	±3%	80mV	76.5%
RS-35-5	5V, 0~7.0A	±2%	80mV	80.5%
RS-35-12	12V, 0~3.0A	±1%	120mV	84.5%
RS-35-15	15V, 0~2.4A	±1%	120mV	86.0%
RS-35-24	24V, 0~1.5A	±1%	120mV	88.0%
RS-35-48	48V, 0~0.8A	±1%	200mV	88.5%

### ■ 150W — Single Output

Model No.	Output	Tol.	R&N	Effi.
RS-150-3.3	3.3V, 0~30A	±3%	80mV	74%
RS-150-5	5V, 0~26A	±2%	80mV	78%
RS-150-12	12V, 0~12.5A	±1%	120mV	83%
RS-150-15	15V, 0~10A	±1%	120mV	84%
RS-150-24	24V, 0~6.5A	±1%	120mV	86%
RS-150-48	48V, 0~3.3A	±1%	200mV	87%

### ■ 50W — Single Output

Model No.	Output	Tol.	R&N	Effi.
RS-50-3.3	3.3V, 0~10A	±3%	80mV	78.0%
RS-50-5	5V, 0~10A	±2%	80mV	83.0%
RS-50-12	12V, 0~4.2A	±1%	120mV	84.5%

# Enclosed-G3 Series



## 35W — Dual Output

Model No.	Output	Tol.	R&N	Effi.	Max.
RD-35A	5V, 0.3~4.0A	±2%	80mV	79%	32W
	12V, 0.2~1.0A	±6%	120mV		
RD-35B	5V, 0.3~4.0A	±2%	80mV	82%	35W
	24V, 0.2~1.3A	±5%	120mV		
RD-3513	13.5V, 0.3~2.0A	±4%	120mV	80%	35W
	-13.5V, 0.2~0.57A	±4%	120mV		

## 50W — Dual Output (Output isolated for RID-50A/B)

Model No.	Output	Tol.	R&N	Effi.	Max.
RD-50A	5V, 0.3~6.0A	±2%	80mV	79%	54W
	12V, 0.3~3.0A	±7%	120mV		
RD-50B	5V, 0.3~6.0A	±2%	80mV	80%	54W
	24V, 0.2~2.0A	+8%, -4%	120mV		

## 65W — Dual Output (Output isolated for RID-65A/B)

Model No.	Output	Tol.	R&N	Effi.	Max.
RD-65A	5V, 0.3~8.0A	±2%	80mV	79%	66W
	12V, 0.2~4.0A	±6%	120mV		
RD-65B	5V, 0.3~8.0A	±2%	80mV	78%	68W
	24V, 0.2~3.0A	+4%, -6%	150mV		

## 85W — Dual Output (Output isolated for RID-85A/B)

Model No.	Output	Tol.	R&N	Effi.	Max.
RD-85A	5V, 2.0~10A	±2%	80mV	78%	88W
	12V, 0.3~5.0A	±5%	120mV		
RD-85B	5V, 2.0~10A	±2%	80mV	80%	88W
	24V, 0.3~2.5A	±5%	120mV		

## 125W — Dual Output

Model No.	Output	Tol.	R&N	Effi.	Max.
RD-125A	5V, 2.0~15A	±5%	80mV	82%	131W
	12V, 0.5~10A	±7%	120mV		
RD-125B	5V, 2.0~10A	±5%	80mV	85%	133W
	24V, 0.4~5.0A	±7%	120mV		

## 125W — Dual Output (Output isolated for RID-125)

Model No.	Output	Tol.	R&N	Effi.	Max.
RD-125-1224	12V, 1.0~7.0A	±2%	120mV	85%	133W
	24V, 0.4~5.0A	+8%, -5%	200mV		
*RD-125-2412	24V, 0.5~5.0A	±2%	200mV	85%	133W
	12V, 1.0~7.0A	±10%	120mV		
RD-125-1248	12V, 1.0~7.0A	±2%	120mV	86%	138W
	48V, 0.2~2.5A	+8%, -5%	240mV		
*RD-125-4812	48V, 0.3~2.5A	±2%	240mV	86%	138W
	12V, 1.0~7.0A	±10%	120mV		
RD-125-2448	24V, 0.5~4.0A	±1%	200mV	86%	144W
	48V, 0.2~2.5A	±4%	240mV		
*RD-125-4824	48V, 0.3~2.5A	±1%	240mV	86%	144W
	24V, 0.5~4.0A	±8%	240mV		
RID-125-1205	12V, 2.0~10.5A	±2%	120mV	80%	125W
	5V, 0.0~3.0A	±3%	80mV		
RID-125-2405	24V, 2.0~5.3A	±2%	120mV	83%	125W
	5V, 0.0~3.0A	±3%	80mV		

\*Modified

## 50W — Quad Output (RT-50 without -5V or -12V output)

Model No.	Output	Tol.	R&N	Effi.	Max.
RQ-50B	5V, 0.5~6.0A	±2%	80mV	74%	46W
	12V, 0.2~1.5A	±6%	120mV		
	-5V, 0.0~1.0A	±2%	100mV		
RQ-50C	-12V, 0.0~1.0A	±2%	80mV		
	5V, 0.5~6.0A	±2%	80mV	75%	50W
	15V, 0.2~1.5A	±6%	120mV		
RQ-50D	-5V, 0.0~1.0A	±2%	100mV		
	-15V, 0.0~1.0A	±2%	80mV		
	5V, 0.5~6.0A	±6%	80mV	79%	53W
	12V, 0.2~1.5A	±6%	120mV		
	24V, 0.1~1.0A	+7%, -5%	180mV		
	-12V, 0.0~1.0A	±2%	80mV		

## 65W — Quad Output (RT-65 without -5V or -12V output)

Model No.	Output	Tol.	R&N	Effi.	Max.
RQ-65B	5V, 0.5~8.0A	±2%	80mV	76%	63W
	12V, 0.2~3.0A	+7%, -5%	120mV		
	-5V, 0.0~1.0A	±5%	80mV		
RQ-65C	-12V, 0.0~1.0A	±5%	80mV		
	5V, 0.5~8.0A	±2%	80mV	76%	65W
	15V, 0.2~3.0A	+8%, -4%	120mV		
RQ-65D	-5V, 0.0~1.0A	±5%	80mV		
	-15V, 0.0~1.0A	±5%	80mV		
	5V, 0.5~8.0A	±2%	80mV	78%	68W
	12V, 0.2~3.0A	±6%	120mV		
	24V, 0.1~1.5A	±8%	180mV		
	-12V, 0.0~1.0A	±5%	80mV		

## 85W — Quad Output (RT-85 without -5V or -12V output)

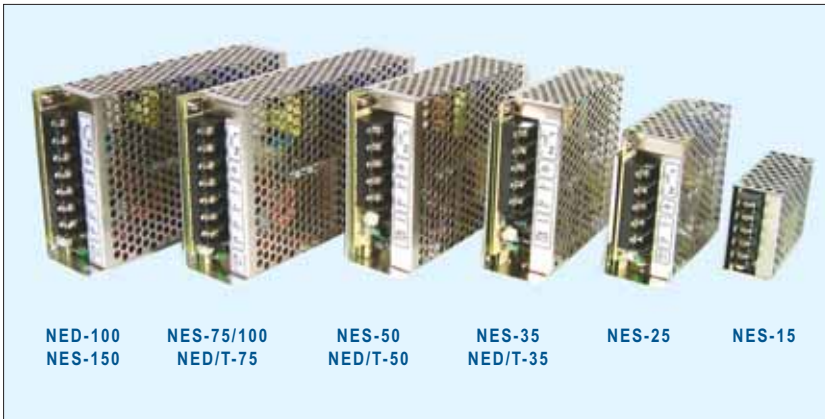
Model No.	Output	Tol.	R&N	Effi.	Max.
RQ-85B	5V, 2.0~10A	±2%	80mV	76%	81W
	12V, 0.3~4.0A	+7%, -3%	120mV		
	-5V, 0.0~1.0A	±8%	100mV		
RQ-85C	-12V, 0.0~1.0A	±5%	80mV		
	5V, 2.0~10A	±2%	80mV	77%	83W
	15V, 0.3~4.0A	+3%, -7%	120mV		
RQ-85D	-5V, 0.0~1.0A	±8%	100mV		
	-15V, 0.0~1.0A	±5%	80mV		
	5V, 2.0~10A	±2%	80mV	78%	84W
	12V, 0.3~4.0A	+7%, -3%	120mV		
	24V, 0.1~1.5A	±8%	150mV		
	-12V, 0.0~1.0A	±5%	80mV		

## 125W — Quad Output (RT-125 without -5V or -12V output)

Model No.	Output	Tol.	R&N	Effi.	Max.
RQ-125B	5V, 2.0~12A	±2%	80mV	79%	120W
	12V, 0.5~4.5A	+8%, -3%	120mV		
	-5V, 0.1~1.0A	+6%, -10%	80mV		
RQ-125C	-12V, 0.0~1.0A	±5%	80mV		
	5V, 2.0~12A	±2%	80mV	80%	123W
	15V, 0.5~4.0A	+8%, -3%	120mV		
RQ-125D	-5V, 0.1~1.0A	+6%, -10%	80mV		
	-15V, 0.0~1.0A	±5%	80mV		
	5V, 2.0~12A	±2%	80mV	82%	124W
	12V, 0.5~4.0A	+8%, -3%	120mV		
	24V, 0.1~2.5A	±8%	150mV		
	-12V, 0.0~1.0A	±5%	80mV		

# Enclosed-NE Series

15~350W Miniature



## Features

- Universal AC input / Full range ( NES/D-100, NES-150 AC input selectable by switch )
- Protections: Short circuit / Overload / Over voltage
- Built-in over temperature protection for NES-15
- Cooling by free air convection
- Small size, high power density
- Low cost, high reliability
- 100% full load burn-in test
- Most economical low wattage solution with safety certificates
- 2 years warranty

## General Specification (Please refer to [www.meanwell.com](http://www.meanwell.com) for detail spec.)



Model No.	NES-15	NES-25	NES-35 NED/T-35	NES-50 NED/T-50	NES-75 NED/T-75	NES-100	NES-150 NED-100
AC input voltage range	85~264VAC, 120~370VDC					115/230VAC by switch	
AC inrush current (max.)	Cold start, 45A at 230VAC					36A at 230VAC	45A at 230VAC
DC adjustment range	±10% by potentiometer for single output; CH1 -5~+10% by potentiometer for multiple output					-5%~+10% (NES-100/150) CH1 -5%~+10% (NED-100)	
Overload protection	>105%	110%~150% hiccup mode, auto-recovery					
Over voltage protection	115%~135% rated output voltage, shut off					115%~135% hiccup mode, auto-recovery	
Withstand voltage	I/P - O/P: 3kVAC, I/P - FG: 1.5kVAC, O/P - FG: 0.5kVAC, 1 minute						
Working temperature	-20 ~ +60°C (refer to the derating curve for different models)						
Vibration	10~500Hz, 2G 10min/1 cycle, period for 60 min each along X, Y, Z axes						
Safety standards	UL60950-1, EN60950-1(NES-150 only), GB4943(NES only) approved, also design refer to TUV EN60950-1						
EMC standards	EN55022 class B, EN61000-3-2,3, EN61000-4-2,3,4,5,6,8,11, GB9254(NES only)						
Connection	Terminal block for input and output						
Dimension (LxWxH)(mm)	78x 51x 28	99x 82x 35	99x 97x 36	129x 98x 38	159x 97x 38	159x 97x 38	199x 98x 38
Case No.	931A	932B	905	903	901	901	902
Packing	60pcs/11.8kg	45pcs/14.5kg	45pcs/17.2kg	45pcs/21kg	30pcs/16.6kg	30pcs/17.5kg	20pcs/15kg

## 15W — Single Output

Model No.	Output	Tol.	R&N	Effi.
NES-15-5	5V, 0~3.0A	±2%	150mV	79%
NES-15-12	12V, 0~1.3A	±1%	150mV	81%
NES-15-15	15V, 0~1.0A	±1%	150mV	81%
NES-15-24	24V, 0~0.7A	±1%	200mV	85%
NES-15-48	48V, 0~0.35A	±1%	240mV	82%

## 75W — Single Output

Model No.	Output	Tol.	R&N	Effi.
NES-75-5	5V, 0~14A	±2%	80mV	77%
NES-75-12	12V, 0~6.2A	±1%	120mV	82%
NES-75-15	15V, 0~5.0A	±1%	150mV	83%
NES-75-24	24V, 0~3.2A	±1%	200mV	86%
NES-75-48	48V, 0~1.6A	±1%	240mV	87%

## 25W — Single Output

Model No.	Output	Tol.	R&N	Effi.
NES-25-5	5V, 0~5.0A	±2%	80mV	78%
NES-25-12	12V, 0~2.1A	±1%	120mV	83%
NES-25-15	15V, 0~1.7A	±1%	150mV	84%
NES-25-24	24V, 0~1.1A	±1%	200mV	86%
NES-25-48	48V, 0~0.57A	±1%	240mV	86%

## 100W — Single Output

Model No.	Output	Tol.	R&N	Effi.
NES-100-5	5V, 0~20A	±2%	80mV	80%
NES-100-7.5	7.5V, 0~13.6A	±1%	120mV	81%
NES-100-9	9V, 0~11.2A	±1%	120mV	81%
NES-100-12	12V, 0~8.5A	±1%	120mV	83%
NES-100-15	15V, 0~7.0A	±1%	120mV	84%
NES-100-24	24V, 0~4.5A	±1%	120mV	86%
NES-100-48	48V, 0~2.3A	±1%	150mV	86%

## 35W — Single Output

Model No.	Output	Tol.	R&N	Effi.
NES-35-5	5V, 0~7.0A	±2%	80mV	78%
NES-35-12	12V, 0~3.0A	±1%	120mV	81%
NES-35-15	15V, 0~2.4A	±1%	150mV	83%
NES-35-24	24V, 0~1.5A	±1%	200mV	85%
NES-35-48	48V, 0~0.8A	±1%	240mV	86%

## 150W — Single Output

Model No.	Output	Tol.	R&N	Effi.
NES-150-3.3	3.3V, 0~30A	±3%	80mV	73%
NES-150-5	5V, 0~26A	±2%	80mV	78%
NES-150-7.5	7.5V, 0~20A	±1%	120mV	80%
NES-150-9	9V, 0~16.7A	±1%	120mV	83%
NES-150-12	12V, 0~12.5A	±1%	120mV	83%
NES-150-15	15V, 0~10A	±1%	120mV	83%
NES-150-24	24V, 0~6.5A	±1%	120mV	86%
NES-150-48	48V, 0~3.3A	±1%	200mV	86%

## 50W — Single Output

Model No.	Output	Tol.	R&N	Effi.
NES-50-5	5V, 0~10A	±2%	80mV	79%
NES-50-12	12V, 0~4.2A	±1%	120mV	82%
NES-50-15	15V, 0~3.4A	±1%	150mV	83%
NES-50-24	24V, 0~2.2A	±1%	200mV	86%
NES-50-48	48V, 0~1.1A	±1%	240mV	87%

# Enclosed-NE Series



## 35W — Dual Output

Model No.	Output	Tol.	R&N	Effi.	Max.
NED-35A	5V, 0.5~5.0A	±2%	80mV	78%	32W
	12V, 0.1~1.5A	±6%	120mV		
NED-35B	5V, 0.5~4.0A	±2%	80mV	81%	35W
	24V, 0.2~1.3A	±6%	200mV		

## 50W — Dual Output

Model No.	Output	Tol.	R&N	Effi.	Max.
NED-50A	5V, 1.0~6.0A	±2%	80mV	79%	54W
	12V, 0.3~3.0A	±6%	120mV		
NED-50B	5V, 1.0~6.0A	±2%	80mV	82%	54W
	24V, 0.2~2.0A	±6%	200mV		

## 75W — Dual Output

Model No.	Output	Tol.	R&N	Effi.	Max.
NED-75A	5V, 1.0~8.0A	±2%	80mV	78%	71W
	12V, 0.3~4.0A	±6%	120mV		
NED-75B	5V, 1.0~6.0A	±2%	80mV	81%	73W
	24V, 0.2~3.0A	±6%	200mV		

## 100W — Dual Output (Output isolated for NED-100□□GD)

Model No.	Output	Tol.	R&N	Effi.	Max.
NED-100A	5V, 2~10A	±2%	80mV	80%	100W
	12V, 0.7~7.0A	±10%	120mV		
NED-100B	5V, 1~10A	±2%	80mV	82%	100W
	24V, 0.3~3.5A	±8%	200mV		
NED-100C	12V, 0~8.0A	±2%	120mV	80%	99W
	5V, 0~3.0A	±3%	80mV		
NED-100D	24V, 0~4.0A	±2%	120mV	82%	99W
	5V, 0~3.0A	±3%	80mV		

## 35W — Triple Output

Model No.	Output	Tol.	R&N	Effi.	Max.
NET-35A	5V, 0.5~4.0A	±2%	80mV	78%	30W
	12V, 0.1~1.5A	±6%	120mV		
	-5V, 0.1~0.5A	±6%	120mV		
NET-35B	5V, 0.5~4.0A	±2%	80mV	79%	33W
	12V, 0.1~1.5A	±6%	120mV		
	-12V, 0.1~0.5A	±6%	120mV		
NET-35C	5V, 0.5~3.5A	±2%	80mV	79%	35W
	15V, 0.1~1.5A	±8%	150mV		
NET-35D	5V, 0.5~3.5A	±2%	80mV	79%	37W
	24V, 0.1~1.0A	±8%	200mV		
	12V, 0.1~1.0A	±8%	120mV		

## 50W — Triple Output

Model No.	Output	Tol.	R&N	Effi.	Max.
NET-50A	5V, 0.6~5.0A	±2%	80mV	76%	47W
	12V, 0.2~2.5A	±6%	120mV		
	-5V, 0.1~0.7A	±5%	120mV		
NET-50B	5V, 0.6~5.0A	±2%	80mV	78%	50W
	12V, 0.2~2.5A	±6%	120mV		
	-12V, 0.1~0.7A	±5%	120mV		
NET-50C	5V, 0.6~5.0A	±2%	80mV	78%	50W
	15V, 0.1~2.0A	±8%	150mV		
	-15V, 0.1~0.7A	±5%	150mV		
NET-50D	5V, 0.6~5.0A	±2%	80mV	80%	51W
	24V, 0.1~1.5A	±8%	200mV		
	12V, 0.1~1.5A	±6%	120mV		

## 75W — Triple Output

Model No.	Output	Tol.	R&N	Effi.	Max.
NET-75A	5V, 0.6~7.0A	±2%	80mV	77%	69W
	12V, 0.2~3.5A	±6%	120mV		
	-5V, 0.1~0.7A	±5%	120mV		
NET-75B	5V, 0.6~7.0A	±2%	80mV	78%	65W
	12V, 0.2~3.5A	±6%	120mV		
	-12V, 0.1~0.7A	±5%	120mV		
NET-75C	5V, 0.6~7.0A	±2%	80mV	78%	72W
	15V, 0.1~3.5A	±8%	150mV		
	-15V, 0.1~0.7A	±5%	150mV		
NET-75D	5V, 0.6~6.0A	±2%	80mV	80%	73W
	24V, 0.1~2.0A	±8%	200mV		
	12V, 0.1~1.5A	±6%	120mV		

## 210W Single Output Switching Power Supply



CASE: 912E 215x 115x 50 mm

- AC input selectable by switch
- Withstand 300VAC surge input for 5 seconds
- Protections: Short circuit / Overload Over voltage / Over temp.
- Cooling by free air convection
- Built-in constant current limiting circuit
- 100% full load burn-in test
- LED indicator for power on
- Low cost, high reliability
- 2 years warranty

AC input voltage range ..... 90~132VAC / 180~264VAC selectable by switch  
 DC adjustment range ..... ±10% rated output range  
 Overload protection ..... 105%~150% constant current limiting, auto-recovery  
 Over voltage protection ..... 115%~145% rated output voltage  
 Setup, rise, hold up time ..... 1000ms, 50ms, 20ms at full load and 230VAC  
 Withstand voltage ..... I/P - O/P: 3kVAC, I/P-FG: 1.5kVAC, O/P-FG: 0.5kVAC  
 Working temperature ..... -20°C~50°C (refer to output derating curve)  
 Safety standards ..... UL60950-1 approved  
 Packing ..... 0.93kg ; 12pcs / 12kg / 0.92CUFT

Model No.	Output	Tol.	R&N	Effi.
NES-200-3.3	3.3V, 0~40A	±2%	150mV	75%
NES-200-5	5V, 0~40A	±2%	150mV	79%
NES-200-7.5	7.5V, 0~27A	±2%	150mV	82%
NES-200-12	12V, 0~17A	±1%	150mV	85%
NES-200-15	15V, 0~14A	±1%	150mV	85%
NES-200-24	24V, 0~8.8A	±1%	150mV	87%
NES-200-27	27V, 0~7.8A	±1%	200mV	88%
NES-200-36	36V, 0~5.9A	±1%	240mV	89%
NES-200-48	48V, 0~4.4A	±1%	240mV	89%

## 350W Single Output Switching Power Supply



CASE: 912C 215x 115x 50 mm

- AC input selectable by switch
- Withstand 300VAC surge input for 5 seconds
- Protections: Short circuit / Overload Over voltage / Over temp.
- Forced air cooling by built-in DC fan
- Built-in fan ON/OFF control
- Built-in constant current limiting circuit
- 100% full load burn-in test
- LED indicator for power on
- Low cost, high reliability
- 2 years warranty

AC input voltage range ..... 90~132VAC / 180~264VAC selectable by switch  
 DC adjustment range ..... ±10% rated output range  
 Overload protection ..... 105%~135% constant current limiting, auto-recovery  
 Over voltage protection ..... 115%~145% rated output voltage  
 Setup, rise, hold up time ..... 1000ms, 50ms, 20ms at full load and 230VAC  
 Withstand voltage ..... I/P - O/P: 3kVAC, I/P-FG: 1.5kVAC, O/P-FG: 0.5kVAC  
 Working temperature ..... -20°C~60°C (refer to output derating curve)  
 Safety standards ..... UL60950-1 approved  
 Packing ..... 1.07kg ; 12pcs / 13.5kg / 0.92CUFT

Model No.	Output	Tol.	R&N	Effi.
NES-350-3.3	3.3V, 0~60A	+2%, -4.5%	150mV	74.0%
NES-350-5	5V, 0~60A	±2.0%	150mV	78.0%
NES-350-7.5	7.5V, 0~46A	±2.0%	150mV	80.0%
NES-350-12	12V, 0~29A	±1.5%	150mV	83.0%
NES-350-15	15V, 0~23.2A	±1.0%	150mV	84.0%
NES-350-24	24V, 0~14.6A	±1.0%	150mV	87.0%
NES-350-27	27V, 0~13A	±1.0%	200mV	88.0%
NES-350-36	36V, 0~9.7A	±1.0%	240mV	87.5%
NES-350-48	48V, 0~7.3A	±1.0%	240mV	87.5%

# Enclosed-SE Series 210~450W Single Output



## Features

- AC input selectable by switch
- Withstand 300VAC surge input for 5 seconds (except for SE-450)
- Protections: Short circuit / Overload / Over voltage / Over temperature
- Forced air cooling by built-in DC fan (SE-350/450)
- Built-in fan ON-OFF control (SE-350)
- Built-in constant current limiting circuit (SE-200/350)
- Withstand 5G vibration test (SE-200/350)
- Built-in remote sense function (SE-450)
- 100% full load burn-in test
- LED indicator for power on
- 2 years warranty

## General Specification (Please refer to [www.meanwell.com](http://www.meanwell.com) for detail spec.)



Model No.	SE-200 <b>NEW</b>	SE-350 <b>NEW</b>	SE-450
AC input voltage range	90~132VAC / 180~264VAC selected by switch		
AC inrush current (max.)	Cold start, 55A at 230VAC	Cold start, 60A at 230VAC	Cold start, 55A at 230VAC
DC adjustment range	±10% rated Output voltage		
Overload	Range: 105%~150%	105%~135%	105%~150%
Protection	Type: Constant current limiting, auto-recovery		Shut down o/p voltage, re-power on to recover
Over voltage protection	115%~145%		
Withstand voltage	I/P - O/P: 3kVAC, I/P - FG: 1.5kVAC, O/P-FG: 0.5kVAC		
Working temperature	-20~+50°C	-20~+60°C	-10~+60°C (refer to output derating curve)
Safety standards	UL60950-1 approved		
Connection	9P/9.5mm pitch terminal block with cover		9P/11mm pitch terminal block with cover
Dimension (LxWxH)(mm)	215x 115x 50		225x 124x 50
Case No.	912E	912C	986
Packing	12pcs / 12kg	12pcs / 13.5kg	12pcs / 16kg

## SE-200 Series **NEW**

Model No.	Output	Tol.	R&N	Effi.
SE-200-3.3	3.3V, 0~40A	±2%	150mV	75%
SE-200-5	5V, 0~40A	±2%	150mV	79%
SE-200-7.5	7.5V, 0~27A	±2%	150mV	82%
SE-200-12	12V, 0~17A	±1%	150mV	85%
SE-200-15	15V, 0~14A	±1%	150mV	85%
SE-200-24	24V, 0~8.8A	±1%	150mV	87%
SE-200-27	27V, 0~7.8A	±1%	200mV	88%
SE-200-36	36V, 0~5.9A	±1%	240mV	89%
SE-200-48	48V, 0~4.4A	±1%	240mV	89%

## SE-450 Series

Model No.	Output	Tol.	R&N	Effi.
SE-450-3.3	3.3V, 0~75A	±3%	200mV	74%
SE-450-5	5V, 0~75A	±3%	200mV	78%
SE-450-12	12V, 0~37.5A	±1%	200mV	83%
SE-450-15	15V, 0~30A	±1%	200mV	84%
SE-450-24	24V, 0~18.8A	±1.5%	200mV	86%
SE-450-36	36V, 0~12.5A	±1%	200mV	86%
SE-450-48	48V, 0~9.4A	±1%	200mV	88%

## SE-350 Series **NEW**

Model No.	Output	Tol.	R&N	Effi.
SE-350-3.3	3.3V, 0~60A	±4.5%	150mV	74.0%
SE-350-5	5V, 0~60A	±2.0%	150mV	78.0%
SE-350-7.5	7.5V, 0~46A	±2.0%	150mV	80.0%
SE-350-12	12V, 0~29A	±1.5%	150mV	83.0%
SE-350-15	15V, 0~23.2A	±1.0%	150mV	84.0%
SE-350-24	24V, 0~14.6A	±1.0%	150mV	87.0%
SE-350-27	27V, 0~13A	±1.0%	200mV	88.0%
SE-350-36	36V, 0~9.7A	±1.0%	240mV	87.5%
SE-350-48	48V, 0~7.3A	±1.0%	240mV	87.5%



We provide specification, drawing, test report and more information, please visit our website —

<http://www.meanwell.com>



### 48hrs delivery—

We keep enough stock for 95% of standard models at our 2400m<sup>2</sup> warehouse. We can arrange prompt delivery within 48hrs.



### Best products also need best service.

We have authorized distributors all over the world. They have sufficient stock for your prompt delivery. Also they can offer you technical support & RMA services. Please contact your local distributors for more product information. You can also contact us at [info@meanwell.com](mailto:info@meanwell.com) for information of your local distributors.



### To satisfy our customers is our goal —

- High Quality
- Low Cost
- Prompt Delivery
- Best Service





### Features

- AC input selectable by switch (600~1000W)
- AC input 180~264VAC only (SE-1500)
- Protections: Short circuit / Overload / Over voltage / Over temperature
- Forced air cooling by built-in DC fan
- Built-in remote sense function
- DC OK, remote ON/OFF control (SE-1000/1500)
- 100% full load burn-in test
- LED indicator for power on
- 2 years warranty

### General Specification (Please refer to [www.meanwell.com](http://www.meanwell.com) for detail spec.)



Model No.	SE-600	SE-1000	SE-1500
AC input voltage range	90~132VAC / 180~264VAC selected by switch		180~264VAC
AC inrush current (max.)	Cold start, 60A at 230VAC	Cold start, 55A at 230VAC	Cold start, 60A at 230VAC
DC adjustment range	±10% rated Output voltage		
Overload Protection	Range	105%~125%	
	Type	Shut down o/p voltage, re-power on to recover	
Over voltage protection	115%~140%		
Withstand voltage	I/P - O/P: 3kVAC, I/P - FG: 1.5kVAC, 1 minute		
Working temperature	-20~+60°C (refer to output derating curve)		-20~+70°C (refer to output derating curve)
Safety standards	UL60950-1 approved		
EMC standards	Design refer to EN55022 class B		
Connection	Terminal block with cover for input and output (SE-1000/1500: copper pillars for output)		
Dimension (LxWxH)(mm)	247x 127x 63.5	278x 127x 63.5	278x 177.8x 63.5
Case No.	926A	935B	982A
Packing	6pcs / 13.4kg	6pcs / 16kg	4pcs / 14.2kg

### 600W SE-600

Model No.	Output	Tol.	R&N	Effi.
SE-600-5	5V, 0~100A	±2%	150mV	78%
SE-600-12	12V, 0~50A	±1%	150mV	83%
SE-600-15	15V, 0~40A	±1%	150mV	84%
SE-600-24	24V, 0~25A	±1%	150mV	87%
SE-600-27	27V, 0~22.2A	±1%	150mV	87%
SE-600-36	36V, 0~16.6A	±1%	200mV	87%
SE-600-48	48V, 0~12.5A	±1%	200mV	88%

### 1000W SE-1000

Model No.	Output	Tol.	R&N	Effi.
SE-1000-5	5V, 0~150A	±1%	150mV	81%
SE-1000-9	9V, 0~100A	±1%	150mV	84%
SE-1000-12	12V, 0~83.3A	±1%	150mV	85%
SE-1000-15	15V, 0~66.7A	±1%	150mV	86%
SE-1000-24	24V, 0~41.7A	±1%	200mV	88%
SE-1000-48	48V, 0~20.8A	±1%	200mV	89%

### 1500W SE-1500

Model No.	Output	Tol.	R&N	Effi.
SE-1500-5	5V, 0~300A	±2%	150mV	81%
SE-1500-12	12V, 0~125A	±1%	150mV	85%
SE-1500-15	15V, 0~100A	±1%	150mV	85%
SE-1500-24	24V, 0~62.5A	±1%	150mV	87%
SE-1500-27	27V, 0~55.6A	±1%	150mV	88%
SE-1500-48	48V, 0~31.3A	±1%	150mV	89%

**Available by Request**

## 400W

### Single Output with PFC Function



- Universal AC input / Full Range
- Built-in active PFC function
- Protections: Short circuit / Overload / Over voltage / Over temperature
- Built-in constant current limiting circuit
- Forced air cooling by built-in DC fan
- Output models: 3.3V / 5V / 12V / 15V / 24V / 36V / 48V
- Dimension(LxWxH): 215x 115x 50mm
- 3 years warranty

We provide specification, drawing, test report and more information, please visit our website — <http://www.meanwell.com>



### Features

- Universal AC input / Full range
- Built-in active PFC function, PF>0.93 (SP-240, PF>0.95)
- Protections: Short circuit / Overload / Over voltage / Over temp.(SP-150 / 200 / 240)
- Cooling by free air convection (SP-75 / 100 / 150)
- Forced air cooling by built-in DC fan (SP-200 / 240)
- Optional remote ON/OFF control (SP-75~200)
- Built-in fan speed control (SP-200)
- Built-in fan ON/OFF control (SP-240)
- 100% full load burn-in test
- 3 years warranty



### General Specification (Please refer to [www.meanwell.com](http://www.meanwell.com) for detail spec.)

Model No.	SP-75	SP-100	SP-150	SP-200	SP-240
AC input voltage range	85~264VAC, 120~370VDC				88~264VAC, 124~370VDC
AC inrush current (max.)	Cold start, 30A at 230VAC		Cold start, 40A at 230VAC		
DC adjustment range	-5~+10% rated output voltage				±15% rated output voltage
Overload protection	Range	105%~150%			105%~135%
	Type	Constant current, auto-recovery			Hiccup mode, auto-recovery
Over voltage protection	Range	115%~135%	110%~135%		120%~150%
	Type	Shut off, AC recycle to re-start			
Withstand voltage	I/P-O/P: 3kVAC, I/P-FG: 1.5kVAC, O/P-FG: 0.5kVAC, 1 minute				
Working temperature	-10~+60°C		-10~+55°C	-10~+60°C	-20~+70°C
Safety standards	UL60950-1, TUV EN60950-1, GB4943(SP-200 only) approved				
EMC standards	EN55022 class B, EN61000-4-2,3,4,5,6,8,11, EN61000-3-2,3, GB9254(SP-200 only)				
Connection	5P / 9.5mm pitch	7P / 9.5mm pitch terminal block with cover			
Dimension (LxWxH)(mm)	179x97x33	179x99x45	199x99x50	199x99x50	190x93x50
Case No.	920A	915A	916A	916B	987A
Packing	20pcs/12.0kg	20pcs/14.3kg	20pcs/16.4kg	20pcs/17.9kg	18pcs/15.4kg

### 75W SP-75

Model No.	Output	Tol.	R&N	Effi.
SP-75-3.3	3.3V, 0~15A	±2%	80mV	68%
SP-75-5	5V, 0~15A	±2%	80mV	72%
SP-75-7.5	7.5V, 0~10A	±2%	80mV	74%
SP-75-12	12V, 0~6.3A	±2%	80mV	77%
SP-75-13.5	13.5V, 0~5.6A	±2%	80mV	78%
SP-75-15	15V, 0~5.0A	±2%	80mV	79%
SP-75-24	24V, 0~3.2A	±1%	100mV	80%
SP-75-27	27V, 0~2.8A	±1%	100mV	80%
SP-75-48	48V, 0~1.6A	±1%	100mV	80%

### 150W SP-150

Model No.	Output	Tol.	R&N	Effi.
SP-150-3.3	3.3V, 0~30.0A	±2%	100mV	67%
SP-150-5	5V, 0~30.0A	±2%	100mV	75%
SP-150-7.5	7.5V, 0~20.0A	±2%	100mV	79%
SP-150-12	12V, 0~12.5A	±2%	100mV	80%
SP-150-13.5	13.5V, 0~11.2A	±2%	100mV	80%
SP-150-15	15V, 0~10.0A	±2%	100mV	81%
SP-150-24	24V, 0~6.30A	±1%	150mV	83%
SP-150-27	27V, 0~5.60A	±1%	150mV	84%
SP-150-48	48V, 0~3.20A	±1%	250mV	84%

### 100W SP-100

Model No.	Output	Tol.	R&N	Effi.
SP-100-3.3	3.3V, 0~20.0A	±2%	100mV	70%
SP-100-5	5V, 0~20.0A	±2%	100mV	76%
SP-100-7.5	7.5V, 0~13.5A	±2%	100mV	78%
SP-100-12	12V, 0~8.50A	±2%	100mV	80%
SP-100-13.5	13.5V, 0~7.50A	±2%	100mV	80%
SP-100-15	15V, 0~6.70A	±2%	100mV	82%
SP-100-24	24V, 0~4.20A	±1%	150mV	84%
SP-100-27	27V, 0~3.80A	±1%	150mV	83%
SP-100-48	48V, 0~2.10A	±1%	250mV	82%

### 200W SP-200

Model No.	Output	Tol.	R&N	Effi.
SP-200-3.3	3.3V, 0~40.0A	±2%	100mV	65%
SP-200-5	5V, 0~40.0A	±2%	100mV	71%
SP-200-7.5	7.5V, 0~26.7A	±2%	100mV	76%
SP-200-12	12V, 0~16.7A	±2%	100mV	79%
SP-200-13.5	13.5V, 0~14.9A	±2%	100mV	80%
SP-200-15	15V, 0~13.4A	±2%	100mV	81%
SP-200-24	24V, 0~8.40A	±1%	150mV	83%
SP-200-27	27V, 0~7.50A	±1%	150mV	83%
SP-200-48	48V, 0~4.20A	±1%	250mV	84%

### 240W SP-240

Model No.	Output	Tol.	R&N	Effi.
SP-240-5	5V, 0~45A	±2%	150mV	79%
SP-240-7.5	7.5V, 0~32A	±2%	150mV	83%
SP-240-12	12V, 0~20A	±1%	150mV	86%
SP-240-15	15V, 0~16A	±1%	150mV	86%
SP-240-24	24V, 0~10A	±1%	150mV	87%
SP-240-30	30V, 0~8.0A	±1%	150mV	88%
SP-240-48	48V, 0~5.0A	±1%	150mV	89%



#### 48hrs delivery—

We keep enough stock for 95% of standard models at our 2400m<sup>2</sup> warehouse. We can arrange prompt delivery within 48hrs.



### Features

- Universal AC input / Full range
- Built-in active PFC function, PF>0.95
- Protections: Short circuit / Overload / Over voltage / Over temperature
- Forced air cooling by built-in DC fan
- Built-in remote sense function and ON/OFF control (SP-480/500/750)
- Built-in fan speed control (SP-320)
- Built-in fan ON/OFF control (SP-500)
- With PG/PF signal output (SP-750)
- 100% full load burn-in test
- 3 years warranty

### General Specification (Please refer to [www.meanwell.com](http://www.meanwell.com) for detail spec.)

Model No.	SP-320	SP-480	SP-500	SP-750
AC input voltage range	88~264VAC	85~264VAC	88~264VAC	90~264VAC
AC inrush current (max.)	Cold start, 40A at 230VAC		Cold Start, 36A at 230VAC	Cold Start, 45A at 230VAC
DC adjustment range	±10% rated output voltage			
Overload protection	Range	105%~135%	105%~145%	105%~135%
	Type	Hiccup mode, auto-recovery	Constant current limiting, auto-recovery	Fold back current limiting, auto-recovery
Over voltage protection	115%~145%	115%~140%		105%~125%
Withstand voltage	I/P - O/P: 3kVAC, I/P - FG: 1.5kVAC, O/P - FG: 0.5kVAC, 1 minute			
Working temperature	-20~+65°C	-20~+60°C	-10~+50°C	-20~+60°C
Safety standards	UL60950-1, TUV EN65950-1 approved, GB4943 approved also for SP-320 (expect for 3.3V/ 5PNC/ 36V)& SP-500-24			
EMC standards	EN55022 class B, EN61000-4-2,3,4,5,6,8,11, EN61000-3-2,3, EN61000-6-2(SP-320 / 480 / 750), GB9254 (SP-320 only)			
Connection	9P / 9.5mm pitch terminal block with cover	9P / 11mm pitch terminal block with cover	7+8P / 9.5mm pitch terminal block with cover	5P / 10mm pitch terminal block with cover for input; copper pillars for output
Dimension (LxWxH)(mm)	215x115x50	278x127x43	170x120x93	278x127x63.5
Case No.	912G	929A	910	919A
Packing	12pcs / 14.0kg	6pcs / 11.3kg	8pcs / 15.5kg	6pcs / 18.4kg

### SP-320 Series



Model No.	Output	Tol.	R&N	Effi.
*SP-320-3.3	3.3V, 0~60.0A	±1%	150mV	74%
SP-320-5	5V, 0~55.0A	±2%	150mV	79%
*SP-320-5PNC	5V, 0~55.0A	±2%	150mV	80%
SP-320-7.5	7.5V, 0~40.0A	±2%	150mV	83%
SP-320-12	12V, 0~25.0A	±1%	150mV	86%
SP-320-13.5	13.5V, 0~22.0A	±1%	150mV	86%
SP-320-15	15V, 0~20.0A	±1%	150mV	86%
SP-320-24	24V, 0~13.0A	±1%	150mV	87%
SP-320-27	27V, 0~11.7A	±1%	200mV	88%
*SP-320-36	36V, 0~8.80A	±1%	220mV	87%
SP-320-48	48V, 0~6.70A	±1%	240mV	89%

\* Without models

❖ SP-320-5PNC with conformal coating and high ambient temperature operation ability is suitable for LED moving sign applications

### SP-480 Series



Model No.	Output	Tol.	R&N	Effi.
SP-480-3.3	3.3V, 0~85A	±2.0%	80mV	73%
SP-480-5	5V, 0~85A	±2.0%	80mV	79%
SP-480-12	12V, 0~43A	±1.5%	120mV	85%
SP-480-15	15V, 0~35A	±1.5%	150mV	85%
SP-480-24	24V, 0~22A	±1.0%	150mV	87%
SP-480-48	48V, 0~11A	±1.0%	240mV	89%

### SP-500 Series



Model No.	Output	Tol.	R&N	Effi.
SP-500-12	12V, 0~40A	±1%	240mV	84.0%
SP-500-13.5	13.5V, 0~36A	±1%	240mV	84.0%
SP-500-15	15V, 0~32A	±1%	240mV	83.0%
SP-500-24	24V, 0~20A	±1%	240mV	85.5%
SP-500-27	27V, 0~18A	±1%	200mV	86.5%
SP-500-48	48V, 0~10A	±1%	300mV	87.0%

### SP-750 Series



Model No.	Output	Tol.	R&N	Effi.
SP-750-5	5V, 0~120A	±2%	120mV	80%
SP-750-12	12V, 0~62.5A	±1%	120mV	85%
SP-750-15	15V, 0~50.0A	±1%	120mV	87%
SP-750-24	24V, 0~31.3A	±1%	120mV	89%
SP-750-27	27V, 0~27.8A	±1%	120mV	89%
SP-750-48	48V, 0~15.7A	±1%	120mV	90%



Who can provide you better services and be a trustworthy partner in the power industry?

— "MEAN WELL" tries to be —

### 600W with PFC and Parallel Function

Parallel PFC c



CASE: 910A 170x 120x 93 mm

- Universal AC input / Full range
- PF>0.99@115VAC; >0.95@230VAC
- Protections: Short circuit / Overload / Over voltage / Over temp.
- Forced air cooling by built-in DC fan
- Built-in remote sense and ON/OFF control
- With DC OK signal output
- **Current sharing up to 2400W (3+1)**
- 3 years warranty

AC input voltage range ..... 88~264VAC; 124~370VDC  
 AC inrush current ..... Cold start, 20A at 115VAC, 40A at 230VAC  
 DC adjustment range .....  $\pm 10\%$  rated output voltage  
 Overload protection ..... 105%~135% constant current, auto-recovery  
 Over voltage protection ..... 115%~140% rated output voltage  
 Withstand voltage ..... I/P-O/P:3kVAC, I/P-FG:1.5kVAC, 1 minute  
 Working temperature ..... -20~60°C (refer to output derating curve)  
 Safety standards ..... UL60950-1, TUV EN60950-1 approved  
 EMC standards ..... EN55022 class B, EN61000-3-2,3, EN61000-4-2,3,4,5,6,8,11  
 Connection ..... 7+8P/ 9.5mm pitch terminal block with cover  
 Packing ..... 1.9kg ; 8pcs / 15.5kg / 1.06CUFT

Model No.	Output	Tol.	R&N	Effi.
PSP-600-5	5V, 0~80.0A	$\pm 2\%$	180mV	79%
PSP-600-12	12V, 0~50.0A	$\pm 1\%$	240mV	84%
PSP-600-13.5	13.5V, 0~44.5A	$\pm 1\%$	240mV	85%
PSP-600-15	15V, 0~40.0A	$\pm 1\%$	240mV	85%
PSP-600-24	24V, 0~25.0A	$\pm 1\%$	240mV	86%
PSP-600-27	27V, 0~22.2A	$\pm 1\%$	240mV	86%
PSP-600-48	48V, 0~12.5A	$\pm 1\%$	300mV	87%

### 1000W with PFC and Parallel Function

Parallel PFC c



CASE: 952B 295x 127x 41 mm

- 1U low profile
- Universal AC input / Full range
- PF>0.98@115VAC; >0.95@230VAC
- Protections: Short circuit / Overload / Over voltage / Over temp.
- High power density 10.7W/in<sup>3</sup>
- Output voltage can be trimmed between 40~110% of the rated output voltage
- **Current sharing up to 4000W (3+1)**
- DC OK signal
- Built-in remote sense and ON/OFF control
- Built-in 5V/0.5A auxiliary power
- 3 years warranty

AC input voltage range ..... 90~264VAC; 127~370VDC  
 DC adjustment range .....  $\pm 10\%$  rated output voltage  
 Overload protection ..... 105%~125% constant current, auto-recovery  
 Over voltage protection ..... 115%~135% rated output voltage  
 Setup, rise, hold up time ..... 300ms, 50ms, 16ms at full load and 230VAC  
 Withstand voltage ..... I/P-O/P:3kVAC, I/P-FG:1.5kVAC, 1 minute  
 Working temperature ..... -20~60°C (refer to output derating curve)  
 Safety standards ..... UL60950-1, TUV EN60950-1 approved  
 EMC standards ..... EN55022 Class B conducted, EN61000-3-2,3, EN61000-4-2,3,4,5,6,8,11, EN61000-6-2  
 Packing ..... 1.95kg ; 6pcs / 12.7kg / 0.99CUFT

Model No.	Output	Tol.	R&N	Effi.
RSP-1000-12	12V, 0~60A	$\pm 1\%$	150mV	83%
RSP-1000-15	15V, 0~50A	$\pm 1\%$	150mV	85%
RSP-1000-24	24V, 0~40A	$\pm 1\%$	150mV	88%
RSP-1000-27	27V, 0~37A	$\pm 1\%$	150mV	88%
RSP-1000-48	48V, 0~21A	$\pm 1\%$	150mV	90%

### 1500W with PFC and Parallel Function

Parallel PFC c



CASE: 943A 278x 127x 83.5 mm

- Universal AC input / Full range
- PF>0.98@115VAC; >0.95@230VAC
- Protections: Short circuit / Overload / Over voltage / Over temp.
- Using ZVS technology to reduce power dissipation
- High power density 8.3W/in<sup>3</sup>
- Built-in 12V / 0.1A auxiliary output
- Alarm signal output
- DC output voltage adjustment 70~100% by external resistor
- Active current sharing up to 6000W (3+1)
- Built-in remote sense function
- Built-in remote ON/OFF control
- Forced air cooling by built-in DC fan
- 3 years warranty

AC input voltage range ..... 90~264VAC; 127~370VDC  
 DC adjustment range ..... -30~+10% rated output voltage  
 Overload protection ..... 105%~135% constant current limiting, shut off after 5 sec.  
 Over voltage protection ..... 115%~140% rated output voltage  
 Setup, rise, hold up time ..... 1500ms, 100ms, 10ms at full load and 230VAC  
 Withstand voltage ..... I/P-O/P:3kVAC, I/P-FG:1.5kVAC, 1 minute  
 Working temperature ..... -20~70°C (refer to output derating curve)  
 Safety standards ..... UL60950-1, TUV EN60950-1 approved  
 EMC standards ..... EN55022 class B conducted, EN61000-3-2,3, EN61000-4-2,3,4,5,6,8,11  
 Packing ..... 3.0kg ; 4pcs / 13kg / 1.54CUFT

Model No.	Output	Tol.	R&N	Effi.
RSP-1500-5	5V, 0~240A	$\pm 2\%$	150mV	80%
RSP-1500-12	12V, 0~125A	$\pm 1\%$	150mV	87%
RSP-1500-15	15V, 0~100A	$\pm 1\%$	150mV	87%
RSP-1500-24	24V, 0~63A	$\pm 1\%$	150mV	90%
RSP-1500-27	27V, 0~56A	$\pm 1\%$	150mV	90%
RSP-1500-48	48V, 0~32A	$\pm 1\%$	200mV	91%

### 2000W with PFC and Parallel Function

Parallel PFC c



CASE: 952B 295x 127x 41 mm

- Universal AC input / Full range
- Built-in active PFC function, PF>0.98
- Protections: Short circuit / Overload / Over voltage / Over temp. / Fan alarm
- Forced air cooling by built-in DC fan
- **Output voltage can be trimmed between 40~110% of the rated output voltage**
- High power density 21.4W/inch<sup>3</sup>
- Built-in 12V/0.8A & 5V/0.3A auxiliary output
- **Current sharing up to 4 units**
- Alarm signal output
- Remote ON-OFF control & remote sense
- 1U low profile 41mm
- 3 years warranty

AC input voltage range ..... 90~264VAC; 127~370VDC  
 DC adjustment range .....  $\pm 10\%$  rated output voltage  
 Overload protection ..... 105%~125% constant current limiting, shut off after 5 sec., re-power on to recover  
 Over voltage protection ..... 120%~145% rated output voltage  
 Setup, rise, hold up time ..... 1500ms, 60ms, 16ms at full load and 230VAC  
 Withstand voltage ..... I/P-O/P:3kVAC, I/P-FG:1.5kVAC, 1 minute  
 Working temperature ..... -25~70°C (refer to output derating curve)  
 Safety standards ..... UL60950-1, TUV EN60950-1 approved  
 EMC standards ..... EN55022 class B, EN61000-3-2,3, EN61000-4-2,3,4,5,6,8,11  
 Packing ..... 1.97kg ; 6pcs / 12.8kg / 0.99CUFT

Model No.	Output	Tol.	R&N	Effi.
RSP-2000-12	12V, 0~100A	$\pm 1\%$	150mV	87.0%
RSP-2000-24	24V, 0~80A	$\pm 1\%$	200mV	90.5%
RSP-2000-48	48V, 0~42A	$\pm 1\%$	300mV	92.0%

### 2400W & 3000W with PFC and Parallel Function



CASE: 982B 278x 177.8x 63.5 mm

- AC input 180~264VAC only
- Built-in active PFC function, PF>0.95
- Protections: Short circuit / Overload / Over voltage / Over temperature / Fan alarm
- Forced air cooling by built-in DC with fan speed control function
- **Output voltage can be trimmed between 20~110% of the rated output voltage**
- High power density 12.5W/inch<sup>3</sup> (2400W) High power density 15.6W/inch<sup>3</sup> (3000W)
- **Current sharing up to 3 units**
- Alarm signal output (TTL signal & relay contact)
- Built-in 12V/0.1A auxiliary output
- Built-in remote ON-OFF control
- Built-in remote sense function
- 3 years warranty

AC input voltage range ..... 180~264VAC; 254~370VDC  
 DC adjustment range ..... ±10% rated output voltage  
 Overload protection ..... 100%~112% constant current limiting, shut off after 5 sec., re-power on to recover (can adjust to continuous constant current limiting)  
 Over voltage protection ..... 115%~140% rated output voltage  
 Setup, rise, hold up time .... 1000ms, 80ms, 12ms or 10ms at full load and 230VAC  
 Withstand voltage ..... I/P-O/P:3kVAC, I/P-FG:1.5kVAC, 1 minute  
 Working temperature ..... -20~70°C (refer to output derating curve)  
 Safety standards ..... UL60950-1, TUV EN60950-1 approved  
 EMC standards ..... EN55022 class B, EN61000-3-2,3, EN61000-4-2,3,4,5,6,8,11

Model No.	Output	Tol.	R&N	Effi.
RSP-2400-12	12V, 0~166.7A	±1%	150mV	87.0%
RSP-2400-24	24V, 0~100A	±1%	150mV	90.0%
RSP-2400-48	48V, 0~50A	±1%	200mV	91.5%

Model No.	Output	Tol.	R&N	Effi.
RSP-3000-12	12V, 0~200A	±1%	150mV	86.0%
RSP-3000-24	24V, 0~125A	±1%	150mV	90.0%
RSP-3000-48	48V, 0~62.5A	±1%	200mV	90.5%

### 150W for High Efficiency Moving Sign



220x 62.5x 32 mm

- Universal AC input / Full range
- Withstand 300VAC surge input for 5 seconds
- Built-in active PFC function
- **Conformal coating**
- **High efficiency up to 90%**
- Protections: Short circuit / Overload / Over voltage / Over temperature
- Cooling by free air convection for 150W and 200W with 30CFM forced air
- 1U low profile: 32mm
- Built-in remote sense function
- LED indicator for power on
- **Suitable for moving sign application**
- 3 years warranty

AC input voltage range ..... 90~264VAC; 127~370VDC  
 AC inrush current ..... Cold start, 70A at 230VAC  
 DC adjustment range ..... 2.5V: 2.35~2.75V; 3.8V: 3.4~4.2V; 5V: 4.5~5V  
 Overload protection ..... 105%~150% hiccup mode, auto-recovery  
 Over voltage protection ..... 115%~135% hiccup mode, auto-recovery  
 Setup, rise, hold up time ..... 2000ms, 100ms, 16ms at full load and 230VAC  
 Withstand voltage ..... I/P - O/P: 3kVAC, I/P-FG: 1.5kVAC, O/P-FG: 0.5kVAC  
 Working temperature ..... -30°C~+70°C (refer to output derating curve)  
 Safety standards ..... Design refer to UL60950-1, EN60950-1  
 EMC standards ..... Design refer to EN55022 class B, EN61000-3-2,3, EN61000-4-2,3,4,5,6,8,11

Model No.	Output(Rated/Peak)	Tol.	R&N	Effi.
HSP-150-2.5	2.5V, 0~30A / 40A	±2%	50mV	86%
HSP-150-3.8	3.8V, 0~30A / 40A	±2%	50mV	88%
HSP-150-5	5V, 0~30A / 40A	±2%	50mV	90%

### 250W for High Efficiency Moving Sign



199x 105x 41 mm

- Universal AC input / Full range
- Built-in active PFC function
- **Conformal coating**
- **High efficiency up to 87%**
- Protections: Short circuit / Overload / Over voltage / Over temperature
- Forced air cooling by built-in DC fan
- 1U low profile: 41mm
- Built-in remote sense function
- LED indicator for power on
- **Suitable for moving sign application**
- 3 years warranty

AC input voltage range ..... 85~264VAC; 120~370VDC  
 DC adjustment range ..... 2.5V: 2.3~2.8V; 3.6V: 3.24~3.96V; 5V: 4.5~5.5V  
 AC inrush current ..... Cold start, 70A at 230VAC  
 Overload protection ..... 105%~135% hiccup mode, auto-recovery  
 Over voltage protection ..... 115%~135% shut down O/P voltage, re-power on to recover  
 Setup, rise, hold up time ..... 3000ms, 50ms, 16ms at full load and 230VAC  
 Withstand voltage ..... I/P - O/P: 3kVAC, I/P-FG: 1.5kVAC, O/P-FG: 0.5kVAC  
 Working temperature ..... -40°C~+70°C (refer to output derating curve)  
 Safety standards ..... UL60950-1, TUV EN60950-1 approved  
 EMC standards ..... EN55022 Class B, EN61000-3-2,3, EN55024, EN61000-4-2,3,4,5,6,8,11, EN61000-6-2

Packing ..... 0.97kg; 16pcs / 16.5kg / 0.87CUFT

Model No.	Output	Tol.	R&N	Effi.
HSP-250-2.5	2.5V, 0~50A	±2%	100mV	79%
HSP-250-3.6	3.6V, 0~50A	±2%	100mV	83%
HSP-250-5	5V, 0~50A	±2%	100mV	87%

### 190W & 240W for High Efficiency Moving Sign



215x 115x 35 mm

- Universal AC input / Full range
- Built-in active PFC function
- **Conformal coating**
- **High efficiency up to 84%**
- Protections: Short circuit / Overload / Over voltage / Over temperature
- Convection cooling for HDP-190
- Forced air cooling by built-in DC fan for HDP-240
- 1U low profile: 35mm
- **Suitable for moving sign application**
- 3 years warranty

AC input voltage range ..... 90~264VAC; 127~370VDC  
 DC adjustment range ..... CH1: 3.6~4V; CH2: 2.5~3V  
 AC inrush current ..... Cold start, 45A at 230VAC  
 Overload protection ..... 105%~145% hiccup mode, auto-recovery  
 Over voltage protection ..... CH1: 115%~135% shut down O/P voltage, re-power on to recover  
 Setup, rise, hold up time ..... 1000ms, 50ms, 16ms at full load and 230VAC  
 Withstand voltage ..... I/P - O/P: 3kVAC, I/P-FG: 1.5kVAC, O/P-FG: 0.5kVAC  
 Working temperature ..... -40°C~+70°C (refer to output derating curve)  
 Safety standards ..... Design refer to UL60950-1, TUV EN60950-1  
 EMC standards ..... EN55022 Class B, EN61000-3-2,3, EN55024, EN61000-4-2,3,4,5,6,8,11, EN61000-6-2

Model No.	Output	Tol.	R&N	Effi.	Max.
HDP-190	3.8V, 0~40A	±2%	100mV	84%	192W
	2.8V, 0~24A	±2%	100mV		

Model No.	Output	Tol.	R&N	Effi.	Max.
HDP-240	3.8V, 0~50A	±2%	100mV	84%	241W
	2.8V, 0~30A	±2%	100mV		

# Enclosed-PFC Series 75~375W 3~4 Output



## Features

- Universal AC input / Full range
- Protections: Short circuit / Overload / Over voltage / Over temperature
- Over temperature protection (200~375W built-in, option for 100W and 150W)
- PF>0.98@115VAC; >0.95@230VAC
- Cooling by free air convection (75W / 100W)
- Forced air cooling by built-in DC fan (150W / 200W / 320W / 375W)
- 100% full load burn-in test
- 3 years warranty



## General Specification (Please refer to [www.meanwell.com](http://www.meanwell.com) for detail spec.)

Model No.	TP-75	TP-100 QP-100	TP-150 QP-150	QP-200	QP-320	QP-375
AC input voltage range	90~264VAC; 127~370VDC					85~264VAC; 120~370VDC
AC inrush current (max.)	Cold start, 20A at 230VAC	Cold start, 40A at 230VAC		Cold start, 30A at 230VAC	Cold start, 45A at 230VAC	
DC adjustment range	CH1: -5%~+10% rated output voltage	CH1: -5%~+10% rated output voltage (CH1&2 for QP-100/150-3x, QP-100/150-D/F)		CH1&2: -5%~+10% rated output voltage		All outputs: -5%~+10% for QP-375-5, ±10% for QP-375-24
Overload protection	Range	105%~150%				105%~135%
	Type	Hiccup mode, auto-recovery		Constant current limiting, auto-recovery	Fold back current limiting, auto-recovery	Hiccup mode, auto-recovery
Over voltage protection	CH1: 115%~135%	115%~135% for CH1 or CH1&2				CH1: 115%~135% rated output voltage
Withstand voltage	I/P - O/P: 3kVAC, I/P - FG: 1.5kVAC, 1 minute					
Working temperature	-10°C~+60°C (refer to output derating curve)				-10°C~+70°C	-10°C~+60°C
Setup, rise, hold up time	800ms, 60ms, 36ms at full load and 230VAC	800ms, 60ms, 24ms at full load and 230VAC(TP-100/150); 800ms, 50ms, 24ms at full load and 230VAC (QP-100/150)		800ms, 50ms, 24ms at full load and 230VAC	800ms, 50ms, 16ms at full load and 230VAC	800ms, 50ms, 36ms at full load and 230VAC
Safety standards	UL60950-1, TUV EN60950-1 approved					
EMC standards	EN55022 class B, EN61000-3-2,3, EN61000-4-2,3,4,5,6,8,11					
Connection	8P / 7.62mm pitch terminal block	9P / 7.62mm pitch terminal block with cover		9P / 9.5mm pitch terminal block with cover		3P / 9.5mm pitch terminal block for input; 10P / 9.5mm pitch terminal block for output
Dimension (LxWxH)(mm)	179x 99x 33	199x 99x 50		215x 115x 50		280x 127x 63.5
Case No.	920A	916A	916B	912B	912I	927A

## 75W — Triple Output

Model No.	Output	Tol.	R&N	Effi.	Max.
TP-75A	5V, 1.5~10A	±3%	100mV	70%	74W
	12V, 0.2~4.0A	±4%	120mV		
	-5V, 0.0~0.6A	±8%	100mV		
TP-75B	5V, 1.5~10A	±3%	100mV	70%	76W
	12V, 0.2~4.0A	±4%	120mV		
	-12V, 0.0~0.6A	±8%	120mV		
TP-75C	5V, 1.5~10A	±3%	100mV	70%	75W
	15V, 0.2~3.0A	±4%	120mV		
	-15V, 0.0~0.6A	±8%	120mV		
TP-75D	5V, 1.5~10A	±3%	100mV	70%	76W
	24V, 0.2~2.5A	±4%	120mV		
	12V, 0.0~0.6A	±8%	120mV		
TP-7503	5V, 1.5~10A	±3%	100mV	70%	75W
	3.3V, 0.2~8.0A	±4%	50mV		
	12V, 0.0~0.6A	±8%	120mV		

## 100W — Triple Output

Model No.	Output	Tol.	R&N	Effi.	Max.
TP-100A	5V, 3.0~15A	±3%	100mV	75%	101W
	12V, 0.4~5.0A	±7%	120mV		
	-5V, 0.0~1.0A	±6%	100mV		

Model No.	Output	Tol.	R&N	Effi.	Max.
TP-100B	5V, 3.0~15A	±3%	100mV	78%	105W
	12V, 0.4~5.0A	±6%	120mV		
	-12V, 0.0~1.0A	±6%	100mV		
TP-100C	5V, 3.0~15A	±3%	100mV	77%	104W
	15V, 0.4~4.0A	+10%,-6%	150mV		
	-15V, 0.0~1.0A	±6%	100mV		
TP-100D	5V, 3.0~15A	±3%	100mV	78%	105W
	24V, 0.4~3.0A	±8%	150mV		
	12V, 0.0~1.0A	±6%	100mV		

## 150W — Triple Output

Model No.	Output	Tol.	R&N	Effi.	Max.
TP-150A	5V, 2.0~20A	±3%	100mV	75%	150W
	12V, 0.4~7.0A	±8%	120mV		
	-5V, 0.0~1.0A	±6%	100mV		
TP-150B	5V, 2.0~20A	±3%	100mV	77%	148W
	12V, 0.4~7.0A	±8%	120mV		
	-12V, 0.0~1.0A	±6%	100mV		
TP-150C	5V, 2.0~20A	±3%	100mV	77%	152W
	15V, 0.4~6.0A	+10%,-6%	150mV		
	-15V, 0.0~1.0A	±6%	100mV		
TP-150D	5V, 2.0~20A	±3%	100mV	78%	154W
	24V, 0.4~4.0A	±8%	150mV		
	12V, 0.0~1.0A	±6%	100mV		

# Enclosed-PFC Series



## 100W — Quad Output

Model No.	Output	Tol.	R&N	Effi.	Max.
QP-100B	5V, 2.0~10A	±3%	100mV	76%	101W
	12V, 0.3~4.0A	±6%	150mV		
	-12V, 0.15~1.0A	+10%, -6%	150mV		
QP-100C	-5V, 0.0~1.0A	±5%	100mV	77%	101W
	5V, 2.0~10A	±3%	100mV		
	15V, 0.3~3.0A	+6%, -10%	150mV		
QP-100D	-15V, 0.15~1.0A	±8%	150mV	78%	100W
	-5V, 0.0~1.0A	±5%	100mV		
	5V, 2.0~10A	±3%	120mV		
QP-100F	12V, 0.0~3.0A	±3%	150mV	78%	103W
	24V, 0.3~2.0A	±6%	200mV		
	-12V, 0.0~1.0A	±5%	150mV		
QP-100-3A	5V, 2.0~10A	±3%	120mV	74%	99W
	15V, 0.0~3.0A	±3%	180mV		
	24V, 0.3~2.0A	±6%	200mV		
QP-100-3B	-15V, 0.0~1.0A	±5%	150mV	74%	100W
	5V, 2.0~10A	±3%	100mV		
	3.3V, 0.0~10A	±3%	100mV		
QP-100-3C	12V, 0.3~3.0A	±6%	150mV	75%	101W
	-5V, 0.0~1.0A	±5%	150mV		
	-12V, 0.0~1.0A	±5%	150mV		
QP-100-3D	5V, 2.0~10A	±3%	100mV	75%	105W
	15V, 0.3~2.0A	+8%, -6%	150mV		
	-15V, 0.0~1.0A	±5%	150mV		
QP-100-3E	5V, 2.0~10A	±3%	100mV	75%	105W
	3.3V, 0.0~10A	±3%	100mV		
	24V, 0.3~2.0A	±6%	150mV		
QP-100-3F	-12V, 0.0~1.0A	±5%	150mV	75%	105W
	5V, 2.0~10A	±3%	100mV		
	3.3V, 0.0~10A	±3%	100mV		

## 150W — Quad Output

Model No.	Output	Tol.	R&N	Effi.	Max.
QP-150B	5V, 3.0~15A	±3%	100mV	76%	150W
	12V, 0.4~5.0A	±6%	150mV		
	-12V, 0.3~2.0A	+10%, -6%	150mV		
QP-150C	-5V, 0.0~1.0A	±5%	100mV	77%	153W
	5V, 3.0~15A	±3%	100mV		
	15V, 0.4~4.0A	+6%, -10%	150mV		
QP-150D	-15V, 0.3~2.0A	±8%	150mV	78%	150W
	-5V, 0.0~1.0A	±5%	100mV		
	5V, 3.0~15A	±3%	120mV		
QP-150F	12V, 0.0~5.0A	±3%	150mV	78%	152W
	24V, 0.4~3.0A	±6%	200mV		
	-12V, 0.0~1.0A	±5%	150mV		
QP-150-3A	5V, 3.0~15A	±3%	100mV	73%	146W
	15V, 0.0~5.0A	±3%	150mV		
	24V, 0.4~3.0A	±6%	200mV		
QP-150-3B	-15V, 0.0~1.0A	±5%	150mV	75%	150W
	5V, 3.0~15A	±3%	100mV		
	3.3V, 0.0~15A	±3%	100mV		
QP-150-3C	12V, 0.4~5.0A	±6%	150mV	74%	152W
	-12V, 0.0~1.0A	±5%	150mV		
	5V, 3.0~15A	±3%	100mV		
QP-150-3D	3.3V, 0.0~15A	±3%	100mV	76%	150W
	15V, 0.4~5.0A	+8%, -6%	150mV		
	-15V, 0.0~1.0A	±5%	150mV		
QP-150-3E	5V, 3.0~15A	±3%	100mV	76%	150W
	3.3V, 0.0~15A	±3%	100mV		
	24V, 0.3~3.0A	±6%	150mV		
QP-150-3F	-12V, 0.0~1.0A	±5%	150mV	76%	150W
	5V, 3.0~15A	±3%	100mV		
	3.3V, 0.0~15A	±3%	100mV		

## 200W — Quad Output

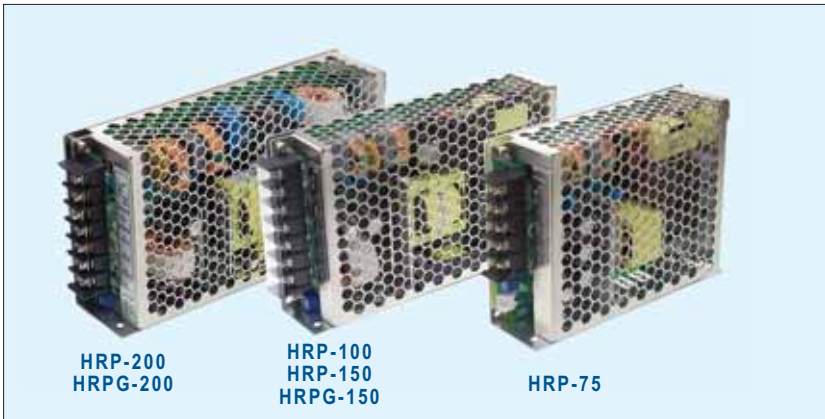
Model No.	Output	Tol.	R&N	Effi.	Max.
QP-200D	5V, 3.0~20A	±3%	100mV	75%	203W
	12V, 0.0~7.0A	±3%	150mV		
	24V, 0.4~6.0A	+10%, -6%	150mV		
QP-200F	-12V, 0.0~1.0A	±6%	150mV	75%	203W
	5V, 3.0~20A	±3%	100mV		
	15V, 0.0~6.0A	±3%	150mV		
QP-200-3A	24V, 0.4~6.0A	+10%, -6%	150mV	72%	200W
	-15V, 0.0~1.0A	±6%	150mV		
	5V, 3.0~20A	±3%	100mV		
QP-200-3B	3.3V, 0.0~20A	±3%	100mV	72%	205W
	12V, 0.5~8.0A	+8%, -10%	150mV		
	-5V, 0.0~1.0A	±6%	150mV		
QP-200-3C	5V, 3.0~20A	±3%	100mV	72%	210W
	3.3V, 0.0~20A	±3%	100mV		
	12V, 0.5~8.0A	+8%, -10%	150mV		
QP-200-3D	-12V, 0.0~1.0A	±6%	150mV	74%	204W
	5V, 3.0~20A	±3%	100mV		
	3.3V, 0.0~20A	±3%	100mV		
QP-200-3E	15V, 0.5~7.0A	+10%, -6%	150mV	74%	206W
	-15V, 0.0~1.0A	±6%	150mV		
	5V, 3.0~20A	±3%	100mV		
QP-200-3F	3.3V, 0.0~20A	±3%	100mV	74%	206W
	24V, 0.4~6.0A	+10%, -6%	150mV		
	-15V, 0.0~1.0A	±6%	150mV		

## 320W — Quad Output

Model No.	Output	Tol.	R&N	Effi.	Max.
QP-320D	5V, 2.5~20A	±3%	100mV	83%	316W
	12V, 0.0~10A	±3%	150mV		
	24V, 0.2~5.0A	+10%, -6%	150mV		
QP-320F	-12V, 0.2~2.0A	±10%	150mV	83%	316W
	5V, 2.5~20A	±3%	100mV		
	15V, 0.0~10A	±3%	150mV		
QP-320E	24V, 0.2~5.0A	+10%, -6%	150mV	83%	316W
	-15V, 0.2~1.6A	±10%	150mV		
	5V, 2.5~20A	±3%	100mV		

## 375W — Quad Output

Model No.	Output	Tol.	R&N	Effi.	Max.
QP-375-5A	5V, 3.5~40A	±1%	100mV	77%	378W
	12V, 0.0~16A	±1%	150mV		
	±12V, 0.0~6.0A	±1%	150mV		
QP-375-5B	±12V, 0.0~3.0A	±1%	50mV	77%	357W
	5V, 3.5~40A	±1%	100mV		
	12V, 0.0~16A	±1%	120mV		
QP-375-5C	±12V, 0.0~6.0A	±1%	120mV	77%	378W
	±5V, 0.0~3.0A	±1%	50mV		
	5V, 3.5~40A	±1%	100mV		
QP-375-5D	12V, 0.0~16A	±1%	150mV	78%	378W
	±15V, 0.0~4.0A	±1%	150mV		
	±15V, 0.0~4.0A	±1%	240mV		
QP-375-5E	5V, 3.5~40A	±1%	100mV	78%	378W
	12V, 0.0~16A	±1%	120mV		
	±24V, 0.0~4.0A	±1%	120mV		
QP-375-24B	±24V, 0.0~3.0A	±1%	240mV	78%	386W
	24V, 1.0~10A	±1%	240mV		
	5V, 0.0~16A	±1%	50mV		
QP-375-24C	±12V, 0.0~4.0A	±1%	120mV	80%	410W
	±12V, 0.0~4.0A	±1%	120mV		
	24V, 1.0~10A	±1%	240mV		
QP-375-24D	5V, 0.0~10A	±1%	50mV	80%	410W
	±15V, 0.0~4.0A	±1%	150mV		
	±15V, 0.0~4.0A	±1%	150mV		



### ■ Features

- Universal AC input / Full range
- Withstand 300VAC surge input for 5 seconds
- Built-in active PFC function
- Protections:  
Short circuit / Overload / Over voltage / Over temp. (optional for HRP-75 / HRP-100)
- Built-in constant current limiting circuit
- Built-in remote sense function (HRP□-150 / 200)
- No load power consumption < 0.5W (except for HRP-150/200)
- Built-in remote ON/OFF control (except for HRP-150 / 200)
- Built-in 5V / 0.3A standby output (HRPG-150 / 200)
- Cooling by free air convection
- 1U low profile
- LED indicator for power on
- 100% full load burn-in test
- 5 years warranty

### ■ General Specification (Please refer to [www.meanwell.com](http://www.meanwell.com) for detail spec.)



Model No.	HRP-75	HRP-100	HRP□-150	HRP□-200
AC input voltage range	85~264VAC, 120~370VDC			
AC inrush current (max.)	Cold start, 65A at 230VAC		Cold start, 70A at 230VAC	
DC adjustment range	-5%~+10% rated output voltage		±15% rated output voltage	
Overload protection	Range	105%~135%		
	Type	Constant current limiting, auto-recovery		
Over voltage protection	115%~145%			
Withstand voltage	I/P - O/P: 3kVAC, I/P - FG: 1.5kVAC, O/P - FG: 0.5kVAC			
Working temperature	-40~+70°C (refer to output derating curve)	-40~+60°C	-40~+70°C	
Safety standards	UL60950-1, TUV EN60950-1 approved			
EMC standards	EN55022 class B, EN61000-4-2,3,4,5,6,8,11, EN61000-3-2,3, EN61000-6-2 heavy industry level			
Connection	5P / 9.5mm pitch terminal block with cover		7P / 9.5mm pitch terminal block with cover	
Dimension (LxWxH)(mm)	129x98x38	159x97x38	199x 98x 38	
Case No.	903D	901I	902E	

### ■ 75W HRP-75

Model No.	Output	Tol.	R&N	Effi.
HRP-75-3.3	3.3V, 0~15A	±2.5%	80mV	77.0%
HRP-75-5	5V, 0~15A	±2.5%	80mV	82.5%
HRP-75-7.5	7.5V, 0~10A	±2.5%	100mV	84.0%
HRP-75-12	12V, 0~6.3A	±1.5%	120mV	87.0%
HRP-75-15	15V, 0~5A	±1.5%	150mV	88.0%
HRP-75-24	24V, 0~3.2A	±1.5%	150mV	88.5%
HRP-75-36	36V, 0~2.1A	±1.5%	200mV	89.0%
HRP-75-48	48V, 0~1.6A	±1.5%	240mV	89.0%

### ■ 150W HRP□-150

Model No.	Output	Tol.	R&N	Effi.
HRP□-150-3.3	3.3V, 0~30A	±2.5%	80mV	78.5%
HRP□-150-5	5V, 0~26A	±2.5%	80mV	85.0%
HRP□-150-7.5	7.5V, 0~20A	±2.5%	100mV	87.0%
HRP□-150-12	12V, 0~13A	±1.5%	120mV	88.0%
HRP□-150-15	15V, 0~10A	±1.5%	150mV	88.0%
HRP□-150-24	24V, 0~6.5A	±1.5%	150mV	88.0%
HRP□-150-36	36V, 0~4.3A	±1.5%	200mV	89.0%
HRP□-150-48	48V, 0~3.3A	±1.5%	240mV	89.0%

□=blank, G; blank: basic function, G: with 5Vsb & no load < 0.5W

### ■ 100W HRP-100

Model No.	Output	Tol.	R&N	Effi.
HRP-100-3.3	3.3V, 0~20A	+2.5, -3.5%	80mV	78.0%
HRP-100-5	5V, 0~17A	±2.5%	80mV	83.0%
HRP-100-7.5	7.5V, 0~13.5A	±2.5%	100mV	84.0%
HRP-100-12	12V, 0~8.5A	±1.5%	120mV	87.5%
HRP-100-15	15V, 0~7A	±1.5%	150mV	88.0%
HRP-100-24	24V, 0~4.5A	±1.5%	150mV	88.5%
HRP-100-36	36V, 0~2.9A	±1.5%	200mV	89.0%
HRP-100-48	48V, 0~2.2A	±1.5%	240mV	90.0%

### ■ 200W HRP□-200

Model No.	Output	Tol.	R&N	Effi.
HRP□-200-3.3	3.3V, 0~40A	±2%	80mV	80.0%
HRP□-200-5	5V, 0~35A	±2%	90mV	84.0%
HRP□-200-7.5	7.5V, 0~26.7A	±2%	100mV	86.0%
HRP□-200-12	12V, 0~16.7A	±1%	120mV	88.0%
HRP□-200-15	15V, 0~13.4A	±1%	150mV	88.0%
HRP□-200-24	24V, 0~8.4A	±1%	150mV	88.0%
HRP□-200-36	36V, 0~5.7A	±1%	250mV	89.0%
HRP□-200-48	48V, 0~4.3A	±1%	250mV	89.0%

□=blank, G; blank: basic function, G: with 5Vsb & no load < 0.5W





### Features

- Universal AC input / Full range
- Withstand 300VAC surge input for 5 seconds
- Built-in active PFC function
- Protections: Short circuit / Overload / Over voltage / Over temp.
- Built-in constant current limiting circuit
- Built-in remote sense function
- Built-in DC OK signal
- No load power consumption < 0.5W (HRPG-300 / 450)
- No load power consumption < 0.75W (HRPG-600)
- Built-in remote ON/OFF control & 5V / 0.3A standby output (HRPG series)
- **Built-in current sharing (HRPG-600-24 / 36 / 48)**
- Forced air cooling by built-in DC fan
- 1U low profile (HRP□-300 / 450)
- 100% full load burn-in test
- 5 years warranty

### General Specification (Please refer to [www.meanwell.com](http://www.meanwell.com) for detail spec.)



Model No.	HRP□-300	HRP□-450	HRP□-600
AC input voltage range	85~264VAC, 120~370VDC		
AC inrush current (max.)	Cold start, 70A at 230VAC		
DC adjustment range	±15% rated output voltage		
Overload Protection	Range: 105%~135% Type: Constant current limiting, auto-recovery		
Over voltage protection	115%~145%		
Withstand voltage	I/P - O/P: 3kVAC, I/P - FG: 1.5kVAC, O/P - FG: 0.5kVAC, 1 minute		
Working temperature	-40~+70°C (refer to output derating curve)		
Safety standards	UL60950-1, TUV EN60950-1 approved		
EMC standards	EN55022 class B, EN61000-4-2,3,4,5,6,8,11, EN61000-3-2,3, EN61000-6-2 heavy industry level		
Connection	7P / 11mm pitch terminal block with cover	3+6P / 10&11mm pitch terminal block with cover	
Dimension (LxWxH)(mm)	199x 105x 41	218x 105x 41	218x 105x 63.5
Case No.	980A	995A	977A

### 300W HRP□-300

Model No.	Output	Tol.	R&N	Effi.
HRP□-300-3.3	3.3V, 0~60A	±2.5%	80mV	80.0%
HRP□-300-5	5V, 0~60A	±2.0%	90mV	82.0%
HRP□-300-7.5	7.5V, 0~40A	±2.0%	100mV	86.0%
HRP□-300-12	12V, 0~27A	±1.0%	120mV	88.0%
HRP□-300-15	15V, 0~22A	±1.0%	150mV	88.0%
HRP□-300-24	24V, 0~14A	±1.0%	150mV	87.0%
HRP□-300-36	36V, 0~9A	±1.0%	250mV	88.0%
HRP□-300-48	48V, 0~7A	±1.0%	250mV	89.0%

□ = blank, G; blank: basic function, G: with 5Vsb & no load < 0.5W

### 600W HRP□-600

Model No.	Output	Tol.	R&N	Effi.
HRP□-600-3.3	3.3V, 0~120A	±2%	100mV	78.5%
HRP□-600-5	5V, 0~120A	±2%	100mV	82.0%
HRP□-600-7.5	7.5V, 0~80A	±2%	100mV	87.0%
HRP□-600-12	12V, 0~53A	±1%	120mV	88.0%
HRP□-600-15	15V, 0~43A	±1%	150mV	88.0%
HRP□-600-24	24V, 0~27A	±1%	150mV	88.0%
HRP□-600-36	36V, 0~17.5A	±1%	200mV	89.0%
HRP□-600-48	48V, 0~13A	±1%	240mV	89.0%

□ = blank, G; blank: basic function, G: with 5Vsb & no load < 0.75W

### 450W HRP□-450

Model No.	Output	Tol.	R&N	Effi.
HRP□-450-3.3	3.3V, 0~90A	±2%	80mV	80.0%
HRP□-450-5	5V, 0~90A	±2%	80mV	83.0%
HRP□-450-7.5	7.5V, 0~60A	±2%	100mV	86.5%
HRP□-450-12	12V, 0~37.5A	±1%	120mV	88.0%
HRP□-450-15	15V, 0~30A	±1%	150mV	89.0%
HRP□-450-24	24V, 0~18.8A	±1%	150mV	88.0%
HRP□-450-36	36V, 0~12.5A	±1%	240mV	89.0%
HRP□-450-48	48V, 0~9.5A	±1%	240mV	89.5%

□ = blank, G; blank: basic function, G: with 5Vsb & no load < 0.5W



We are a TQM (Total Quality Management) company and ISO-9001 certified since 1994.



Who can provide you better services and be a trustworthy partner in the power industry?

— "MEAN WELL" tries to be —



#### Best products also need best service.

We have authorized distributors all over the world. They have sufficient stock for your prompt delivery. Also they can offer you technical support & RMA services. Please contact your local distributors for more product information. You can also contact us at [info@meanwell.com](mailto:info@meanwell.com) for information of your local distributors.



### ■ Features

- Universal AC input / Full range
- Built-in active PFC function, PF>0.95
- Protections: Short circuit / Overload / Over voltage / Over temperature
- Output voltage programmable from 20~110% by 1~5.5VDC external control signal
- Forced air cooling by built-in DC fan with fan speed control (except for SPV-150)
- Cooling by free air convection (SPV-150)
- Built-in remote sense and ON/OFF control (SPV-600/1500)
- Built-in 12V/0.1A auxiliary output and current sharing up to 4500W (SPV-1500)
- 3 years warranty

### ■ General Specification (Please refer to [www.meanwell.com](http://www.meanwell.com) for detail spec.)

Model No.	SPV-150	SPV-300	SPV-600 <span style="background-color: #f08080;">Under Development</span>	SPV-1500
AC input voltage range	88~264VAC, 124~370VDC			90~264VAC, 127~370VDC
AC inrush current (max.)	Cold start, 40A at 230VAC			Cold Start, 60A at 230VAC
DC adjustment range	-15%~+10% rated output voltage		±5% rated output voltage	
Overload protection	Range	105%~150%	105%~135%	
	Type	Constant current limiting, auto-recovery		
Over voltage protection	115%~140%			120%~140%
Withstand voltage	I/P - O/P: 3kVAC, I/P - FG: 1.5kVAC, O/P - FG: 0.5kVAC, 1 minute			
Working temperature	-20~+65°C (refer to output derating curve)		-20~+60°C	-20~+70°C
Safety standards	UL60950-1, TUV EN60950-1 approved			
EMC standards	EN55022 class B, EN61000-4-2,3,4,5,6,8,11, EN61000-3-2,3, EN55024, light industry level, criteria A			
Connection	9P / 9.5mm pitch terminal block with cover		15P / 9.5mm pitch terminal block with cover	3P / 13mm pitch terminal block with cover for input; copper pillars for output
Dimension (LxWxH)(mm)	215x115x50		170x120x93	278x127x83.5
Case No.	912L	912G	910A	943A
Packing	12pcs / 14.0kg		8pcs / 15.5kg	4pcs / 13kg

### ■ 150W



Model No.	Output	Tol.	R&N	Effi.
SPV-150-12	12V, 0~12.5A	±1%	150mV	82%
SPV-150-24	24V, 0~6.25A	±1%	150mV	83%
SPV-150-48	48V, 0~3.125A	±1%	240mV	83%

### ■ 600W



Model No.	Output	Tol.	R&N	Effi.
SPV-600-12	12V, 0~50A	±1%	240mV	84%
SPV-600-24	24V, 0~25A	±1%	240mV	86%
SPV-600-48	48V, 0~12.5A	±1%	300mV	87%

### ■ 300W



Model No.	Output	Tol.	R&N	Effi.
SPV-300-12	12V, 0~25A	±1%	150mV	83.5%
SPV-300-24	24V, 0~12.5A	±1%	150mV	85.0%
SPV-300-48	48V, 0~6.25A	±1%	240mV	86.5%

### ■ 1500W



Model No.	Output	Tol.	R&N	Effi.
SPV-1500-12	12V, 0~125A	±1%	150mV	86.5%
SPV-1500-24	24V, 0~63A	±1%	150mV	90.0%
SPV-1500-48	48V, 0~32A	±1%	200mV	90.0%



Who can provide you better services and be a trustworthy partner in the power industry?

— "MEAN WELL" tries to be —



#### Best products also need best service.

We have authorized distributors all over the world. They have sufficient stock for your prompt delivery. Also they can offer you technical support & RMA services. Please contact your local distributors for more product information. You can also contact us at [info@meanwell.com](mailto:info@meanwell.com) for information of your local distributors.



#### Customer Satisfaction —

Today's effort, tomorrow's reward. Continuously improve CQTS to satisfy customer is our goal.



We provide specification, drawing, test report and more information, please visit our website —

<http://www.meanwell.com>



#### 48hrs delivery—

We keep enough stock for 95% of standard models at our 2400m<sup>2</sup> warehouse. We can arrange prompt delivery within 48hrs.



### ■ Features

- Universal AC input / Full range
- Built-in active PFC
- Protections: Short circuit / Overload / Over voltage / Over temperature
- Output wattage:
  - USP-150: 150W convection
  - USP-225: 150W convection, 225W with 18CFM forced air
  - USP-350: 300W convection, 350W with 23.5CFM forced air
  - USP-500: 400W convection, 500W with 23.5CFM forced air
- High power density: 5.5W/in<sup>3</sup> (USP-150); 4.7W/in<sup>3</sup> (USP-225); 6.32W/in<sup>3</sup> (USP-350); 6.2W/in<sup>3</sup> (USP-500)
- U-bracket low profile: 33mm(USP-150); 38mm(USP-225/300); 41mm(USP-500)
- Built-in remote ON/OFF control, remote sense, DC OK signal (USP-500)
- **Optional current sharing(1+1) for USP-500-24/48**
- 3 years warranty

### ■ General Specification (Please refer to [www.meanwell.com](http://www.meanwell.com) for detail spec.)

Model No.	USP-150	USP-225	USP-350	USP-500
AC input voltage range	90~295VAC, 127~417VDC		90~264VAC, 127~370VDC	
AC inrush current (max.)	Cold start, 65A at 230VAC	15A at 115VAC, 30A at 230VAC	22A at 115VAC, 44A at 230VAC	30A at 115VAC, 50A at 230VAC
DC adjustment range	±10% rated output voltage			
Overload protection	Range	110%~160%	105%~150%	105%~130%
	Type	Hiccup mode, auto-recovery	Constant current limiting, auto-recovery	
Over voltage protection	Range	110%~135%	110%~135%	110%~140%
	Type	Shut off, AC recycle to re-start		Hiccup mode, auto-recovery
Withstand voltage	I/P - O/P: 3kVAC, I/P - FG: 1.5kVAC, O/P - FG: 0.5kVAC, 1 minute			
Working temperature	-30~+65°C	-20~+65°C	-10~+65°C	-20~+70°C
Vibration	10~500Hz, 2G 10min./1cycle, 60min. each along X, Y, Z axes		10~500Hz, 2G 10min./1cycle, 60min. each along X, Y, Z axes	
Safety standards	Design refer to UL60950-1, TUV EN60950-1		UL60950-1, TUV EN60950-1 approved	
EMC standards	EN55022 class B, EN61000-3-2,3, EN61000-4-2,3,4,5,6,8,11			
Connection	JST: SVH-21T-P1.1, 4P/7.62mm pitch terminal block	20P/2.54mm pitch, Molex 39-29-9206	5+9P×2/3.96mm pitch, JST: B5P/B9P×2-VH	3+8P/8.5mm pitch terminal block with cover
Dimension (LxWxH)(mm)	215x 67.4x 33	202x 101.5x 38	235.2x 101.5x 38	254x 127x 41

### ■ 150W



Model No.	Output	Tol.	R&N	Effi.
USP-150-12	12V, 0~12.5A	±2%	100mV	91.5%
USP-150-15	15V, 0~10.0A	±2%	150mV	91.5%
USP-150-24	24V, 0~6.30A	±2%	150mV	93.0%
USP-150-36	36V, 0~4.20A	±2%	250mV	93.0%
USP-150-48	48V, 0~3.20A	±2%	250mV	93.0%

### ■ 350W



Model No.	Output	Tol.	R&N	Effi.
USP-350-3.3	3.3V, 0~70.0A	±2%	80mV	78%
USP-350-5	5V, 0~70.0A	±2%	80mV	84%
USP-350-12	12V, 0~29.2A	±2%	100mV	88%
USP-350-15	15V, 0~23.4A	±2%	100mV	88%
USP-350-24	24V, 0~14.6A	±2%	150mV	88%
USP-350-48	48V, 0~7.30A	±2%	150mV	89%

### ■ 225W



Model No.	Output	Tol.	R&N	Effi.
USP-225-3.3	3.3V, 0~40.0A	±2%	100mV	72%
USP-225-5	5V, 0~40.0A	±2%	100mV	77%
USP-225-12	12V, 0~18.7A	±2%	100mV	83%
USP-225-15	15V, 0~15.0A	±2%	100mV	84%
USP-225-24	24V, 0~9.40A	±2%	150mV	85%
USP-225-48	48V, 0~4.70A	±2%	250mV	86%

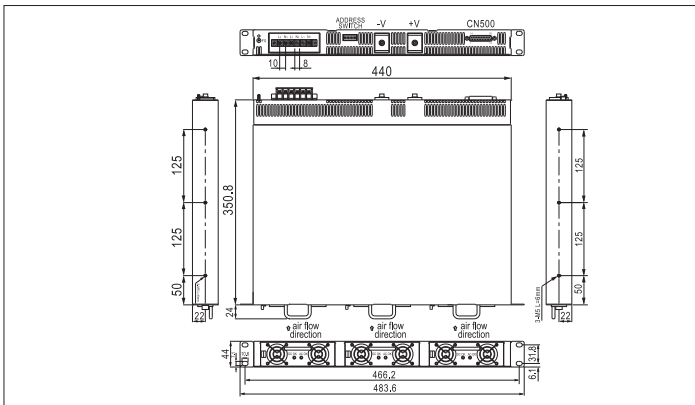
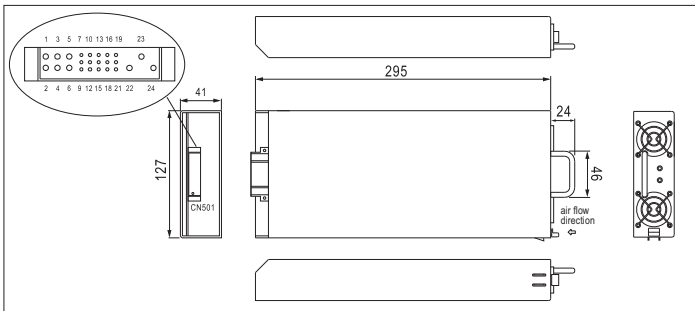
### ■ 500W



Model No.	Output	Tol.	R&N	Effi.
USP-500-5	5V, 0~80.0A	±2%	80mV	85%
USP-500-12	12V, 0~42.0A	±2%	100mV	90%
USP-500-15	15V, 0~33.5A	±2%	100mV	90%
USP-500-24	24V, 0~21.0A	±2%	150mV	89%
USP-500-48	48V, 0~10.5A	±2%	150mV	90%

### 1000W 1U Rack Power System

- Universal AC input / Full range
- Built-in 5V/0.3A standby power
- Built-in active PFC function, PF>0.96
- Protections: Short circuit / Overload / Over voltage / Over temp.
- Forced air cooling by built-in DC fan
- High power density 10.7W/in<sup>3</sup>
- 1U low profile
- Output voltage can be trimmed between 90 ~ 110% of the rated output voltage
- Active current sharing up to 3000W (3 units) in one 19" rack, 3 racks max. can be operated in parallel (up to 8 units)
- Remote control for single unit
- Built-in remote sense function
- Hot-swap operation
- Internal OR-ing diode
- AC OK and DC OK signal output
- Optional I<sup>2</sup>C serial data bus
- 3 years warranty



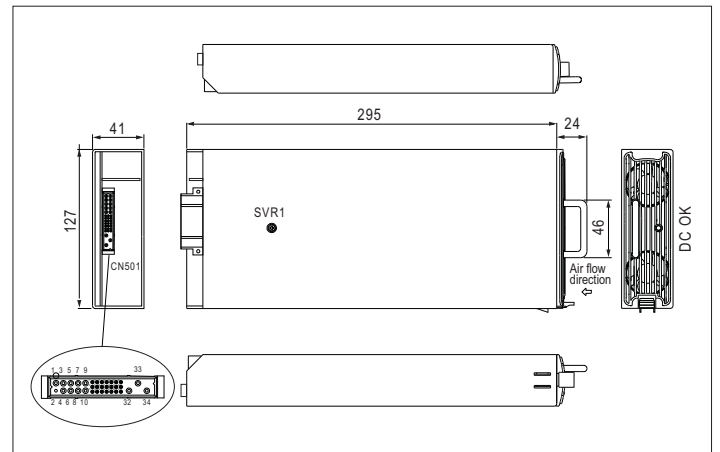
- AC input voltage range ..... 90~264VAC
- DC adjustment range ..... ±3% rated output voltage
- Overload protection ..... 105%~125% constant current limiting, auto-recovery
- Over voltage protection ..... 110%~135% rated output voltage
- Setup, rise, hold up time ..... 1000ms, 60ms, 16ms at full load and 230VAC
- Withstand voltage ..... I/P-O/P:3kVAC, I/P-FG:1.5kVAC, 1 minute
- Working temperature ..... -20~+50°C@100%, 60°C@60%
- Safety standards ..... UL60950-1, TUV EN60950-1 approved
- EMC standards ..... EN55022 Class B, EN61204-3, EN61000-3-2,-3, EN61000-4-2,3,4,5,6,8,11, EN61000-6-2 heavy industry level
- Packing ..... 1.91kg (single unit) ; 11kg (rack with 3 units)

Model No.	Output	Tol.	R&N	Effi.
RCP-1000-12	12V, 0~60A	±1%	150mV	81%
RCP-1000-24	24V, 0~40A	±1%	200mV	87%
RCP-1000-48	48V, 0~21A	±1%	300mV	89%

RCP-1U □ 19" 1U rack for RCP-1000 series  
□= I: AC inlet ; T: terminal block

### 2000W 1U Rack Power System

- Universal AC input / Full range
- Withstand 300VAC surge for 5 seconds
- Built-in 5V/0.3A, 12V/0.8A auxiliary power
- Built-in active PFC function, PF>0.98
- Protections: Short circuit / Overload / Input under voltage / Over voltage / Over temperature
- Forced air cooling by built-in DC fan
- Internal OR-ing FET
- High power density 21.4W/in<sup>3</sup>
- 1U low profile
- Active current sharing up to 6000W (3 units) in one 19" rack, 3 racks max. can be operated in parallel (up to 9 units)
- Remote control for single unit
- Built-in remote sense function
- Hot-swap operation
- PMBus serial communication
- AC OK and DC OK signal, fan fail, OTP alarm signal
- 3 years warranty



- AC input voltage range ..... 90~264VAC
- DC adjustment range ..... -12%~+15% rated output voltage
- Overload protection ..... 105%~125% constant current limiting, shut off after 5 sec., re-power on to recover
- Over voltage protection ..... 120%~145% rated output voltage
- Setup, rise, hold up time ..... 1500ms, 60ms, 16ms at full load and 230VAC
- Withstand voltage ..... I/P-O/P:3kVAC, I/P-FG:1.5kVAC, 1 minute
- Working temperature ..... -40~+70°C (refer to output derating curve)
- Safety standards ..... UL60950-1, TUV EN60950-1 approved
- EMC standards ..... EN55022 Class B, EN61000-3-2,-3, EN61000-4-2,3,4,5,6,8,11, EN61000-6-2 heavy industry level
- Packing ..... 2kg (single unit) ; 11.5kg (rack with 3 units)

Model No.	Output	Tol.	R&N	Effi.
RCP-2000-12	12V, 0~100A	±2%	150mV	86.0%
RCP-2000-24	24V, 0~80A	±1%	200mV	90.5%
RCP-2000-48	48V, 0~42A	±1%	300mV	92.0%

RKP-1U □ 19" 1U rack for RCP-2000 Series;  
□= I: AC inlet; T: terminal block

## Power Control and Monitor Unit

- 1U low profile
- 19-inch rack mounting
- I<sup>2</sup>C decoder, control and monitor up to 3 RCP-1000-□-C units
- Suitable for all kinds of RCP output (12V,24V,48V)
- Digital meters for output voltage, output current, and internal temperature on front panel
- Potentiometer for adjusting output voltage of RCP-1000 unit on front panel
- Relay contacts and LED indicators for AC fail, DC fail, and over temperature warning
- Removable fixing accessory
- 3 years warranty



AC input voltage range ..... 90~264VAC  
 AC inrush current ..... Cold start, 30A at 115VAC, 50A at 230VAC  
 Relay contact rating ..... 30VDC, 1A  
 Working temperature ..... -20~60°C  
 Safety standards ..... Design refer to UL60950-1, TUV EN60950-1  
 Withstand voltage ..... I/P-O/P:3kVAC, I/P-FG:1.5kVAC, O/P-FG:0.5kVAC  
 Isolation resistance ..... I/P-O/P, I/P-FG, O/P-FG: 100M Ohms/500VDC  
 EMC standards ..... Compliance to EN55022, EN61000-3-2,-3, EN61000-4-2,3,4,5,6,8,11  
 Connection ..... Screw DIN terminal for AC input and relay contact output; D-Type right angle 25 positions for communication port

Model No.	Application
RCP-MU	Control and monitor RCP-1000 series

## 1U Rack Control and Monitoring Unit

- 1U low profile
- 19-inch rack mounting
- Control and monitor up to 32 RCP-2000 units
- Front panel LCD and buttons for on-site service without PC
- Alarm/event log with time and date
- Windows-based PC communication software
- USB, RS-232 or Ethernet interface for PC connection locally or remote monitoring and control via GSM modem
- Easy wire connections on rear side
- 4 user programmable relay outputs for traditional remote warning
- 3 years warranty



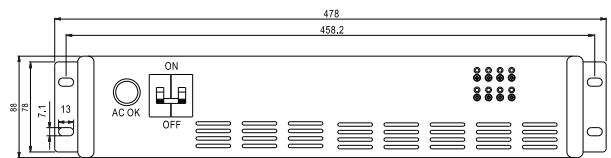
DC input voltage range ..... 10~60VDC  
 DC input current ..... 0.5A at 24VDC, 0.25A at 48VDC  
 Output relay contact ..... 4 user programmable relay  
 Working temperature ..... -25~+70°C  
 Safety standards ..... UL60950-1, TUV EN60950-1 approved  
 Withstand voltage ..... I/P-O/P:1.5kVAC, I/P-FG:1.5kVAC  
 Isolation resistance ..... I/P-O/P, I/P-FG: 100M Ohms / 500VDC / 25°C / 70%RH  
 EMC standards ..... Compliance to EN55022 Class B, EN61000-4-2,3,4,6,8

Model No.	Application
RKP-CMU1	Control and monitor RCP-2000 series (single unit)
RKP-1U□-CMU1	Control and monitor RCP-2000 series (with 19" rack)

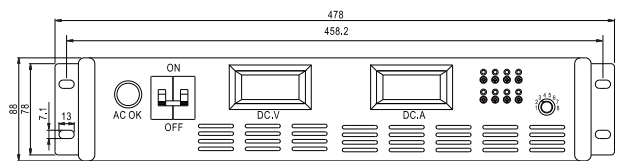
## Custom-Made 19" 2U Rack Power System

- Standard 19" 2U rack – 480 x 420 x 80mm
- Custom rack configurations available, 4500W max., up to 8 outputs
- LED indicators on front panel
- Meters for output voltage and current on front panel
- Front panel voltage adjustment
- Wide range of backplane connection option
- Choose from MEAN WELL's wide range of standard power supply
- Complete assembly and testing on your custom rack system
- Engineering support available to assist you in specifying your requirement
- 2 years warranty

### Panel Type A: with power switch, LED indicators, and output adjustment potentiometers.



### Panel Type B: with additional digital meters and selector switch.



## Example

### ❖ 4500W~6000W 2U Rack System

- RSP-1500x 3pcs (Page 10); RSP-3000x 2pcs (Page 11)
- LED indicators and front panel voltage adjustment
- Output voltage and current digital meters
- I/O interface:  
 AC Input — Terminal block  
 DC Output — Copper pillars  
 Single Output — Terminal block



We provide specification, drawing, test report and more information, please visit our website — <http://www.meanwell.com>



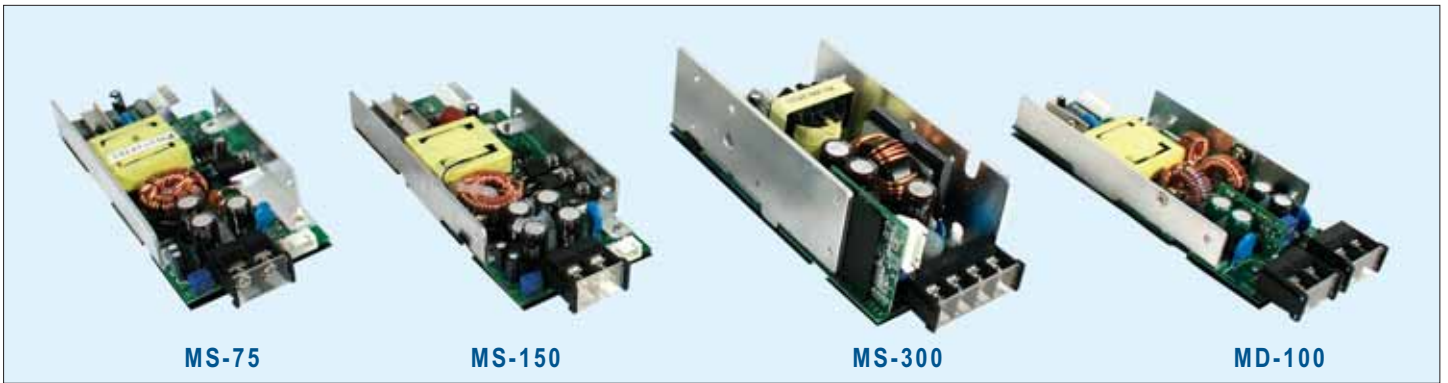
**Customer Satisfaction —**  
 Today's effort, tomorrow's reward. Continuously improve CQTS to satisfy customer is our goal.



MP450 (450W, 5 SLOT)

MP650 (650W, 5 SLOT)

MP1K0 (1000W, 7 SLOT)



MS-75

MS-150

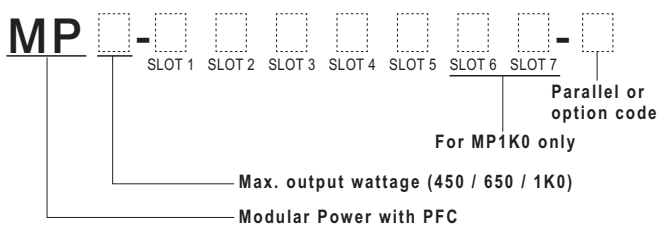
MS-300

MD-100

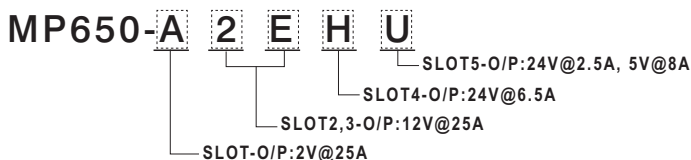
## Description

Modular series are switching power supplies with modular design that consist of two stages: front-end PFC and output modules. Using ZVS (Zero Voltage Switching) technology to realize the power factor correction, the line input is rectified into high DC voltage (around 390Vdc) by the front-end PFC stage, and then the DC output modules will transfer the operating voltage into all kinds of DC output voltages from 1.6V~53V. Right now we offer 75W, 150W, 300W single output modules and 100W dual output modules to fulfill all kinds of applications up to 14 isolated outputs. There are millions of combinations available for the Modular series. Users can configure the DC outputs they need and get the fastest solution for their own power requirement with safety and EMC certificates. No more NRE / safety application charges and long period of waiting for certificates! Providing standard products as usual, MEAN WELL offer you a revolutionary standard power solution that fulfills your custom-made request!

## Output Configuration Guide



Example:



## Features

- Millions of output configuration is available
- Using ZVS technology to reduce power dissipation and improve efficiency
- Universal AC input / Full range
- Built-in active PFC compliance to EN61000-3-2
- Built-in constant current limiting circuit for single output modules
- Remote control on each output module
- Remote sense on each output module (MS-75/150/300)
- Short circuit / Overload / Over voltage protections for all modules
- Built-in parallel function for MS-300(up to 3 units)
- Cooling by built-in DC fan with fan alarm function
- Additional 12V/0.1A auxiliary output for remote control
- 3 years warranty

## General Specification (Please refer to [www.meanwell.com](http://www.meanwell.com) for detail spec.)



Model No.	MP450	MP650	MP1K0
AC input voltage range	85~264VAC or 120~370VDC		
Power Factor	PF > 0.95 / 230VAC, PF > 0.98 / 115VAC at full load		
AC inrush current (max.)	Cold start, 40A at 230VAC	Cold start, 50A at 230VAC	Cold start, 40A at 230VAC
Max output voltage	450W	650W	1000W
Efficiency (typical)	83%	85%	84%
Over temperature protection	Output shutdown, auto-recovery		
Fan alarm	Output shutdown when fan malfunction		
Withstand voltage	I/P - O/P: 3kVAC, I/P - FG: 1.5kVAC, O/P - FG: 0.5kVAC, 1 minute		
Working temperature	-20~+50°C@100%, +70°C @ 50% load		
Safety standards	UL60950-1, TUV EN60950-1		
EMC standards	Compliance to EN55022 class B, EN61000-3-2,3, EN61000-4-2,3,4,5,6,8,11, EN55024 light industry level, criteria A		
Connection	Input side: 3P/10mm pitch terminal block & JST B3B-XH		
Dimension (LxWxH)(mm)	254x 127x 63.5	278x 127x 63.5	278x 177.8x 63.5

### MS-75: 1-SLOT single output (75W max.)

Item Code	Output	★Peak I	Vdc adj.	Tol.	R&N.
L	3.3V, 0~15A	17.3A	2.6~4.0V	±2%	80mV
M	5V, 0~15A	17.3A	4.0~6.0V	±2%	80mV
N	12V, 0~6.3A	7.30A	9.0~13.2V	±1%	150mV
O	15V, 0~5.0A	5.80A	13.2~16.8V	±1%	150mV
P	24V, 0~3.2A	3.70A	20.0~26.4V	±1%	150mV
Q	48V, 0~1.6A	1.80A	40.0~53.0V	±1%	250mV

### MS-150: 1-SLOT single output (150W max.)

Item Code	Output	★Peak I	Vdc adj.	Tol.	R&N.
A	2V, 0~25A	30.0A	1.6~2.6V	±3%	50mV
B	3.3V, 0~25A	30.0A	2.6~4.0V	±2%	80mV
C	5V, 0~25A	30.0A	4.0~6.0V	±2%	80mV
D	7.5V, 0~18A	20.7A	6.0~9.0V	±2%	100mV
E	12V, 0~13A	15.0A	9.0~13.2V	±1%	150mV
F	15V, 0~10A	11.5A	13.2~16.8V	±1%	150mV
G	18V, 0~8.5A	9.80A	16.8~20.0V	±1%	150mV
H	24V, 0~6.5A	7.50A	20.0~26.4V	±1%	150mV
I	27V, 0~5.8A	6.70A	25.0~31.0V	±1%	150mV
J	33V, 0~4.7A	5.40A	30.0~40.0V	±1%	250mV
K	48V, 0~3.2A	3.68A	40.0~53.0V	±1%	250mV

### MS-300: 2-SLOT parallelable single output (300W max.)

Item Code	Output	★Peak I	Vdc adj.	Tol.	R&N.
2A	2V, 0~50A	57.5A	1.6~2.6V	±3%	80mV
2B	3.3V, 0~50A	57.5A	2.6~4.0V	±2%	80mV
2C	5V, 0~50A	57.5A	4.0~6.0V	±2%	80mV
2D	7.5V, 0~40A	46.0A	6.0~9.0V	±2%	100mV
2E	12V, 0~25A	29.0A	9.0~13.2V	±1%	150mV
2F	15V, 0~20A	23.0A	13.2~16.8V	±1%	150mV
2G	18V, 0~16.7A	19.2A	16.8~20.0V	±1%	150mV
2H	24V, 0~12.5A	14.4A	20.0~26.4V	±1%	150mV
2I	27V, 0~11.2A	12.9A	25.0~31.0V	±1%	200mV
2J	33V, 0~9.1A	10.5A	30.0~40.0V	±1%	250mV
2K	48V, 0~6.3A	7.2A	40.0~53.0V	±1%	300mV

### MD-100: 1-SLOT isolated dual output (100W max.)

Item Code	Output	Vdc adj.	Tol.	R&N.	Max.
R	5V, 2.0~10A	4.75~5.5V	±3%	100mV	90.0W
	5V, 0.0~8.0A	4.75~5.5V	±3%	100mV	
S	5V, 2.0~10A	4.75~5.5V	±3%	100mV	100.4W
	12V, 0.0~5.8A	11.4~13.2V	±3%	150mV	
T	5V, 2.0~10A	4.75~5.5V	±3%	100mV	101.0W
	15V, 0.0~4.7A	14.2~16.5V	±3%	150mV	
U	24V, 0.5~3.0A	22.8~26.4V	±3%	200mV	100.0W
	5V, 0.0~10A	4.75~5.5V	±3%	100mV	
V	24V, 0.6~3.0A	22.8~26.4V	±2%	240mV	100.8W
	12V, 0.0~4.7A	11.4~13.2V	±3%	120mV	
W	12V, 1.0~5.0A	11.4~13.2V	±2%	120mV	100.8W
	12V, 0.0~5.8A	11.4~13.2V	±3%	120mV	
X	15V, 1.0~4.7A	14.2~16.5V	±2%	150mV	100.5W
	15V, 0.0~4.7A	14.2~16.5V	±3%	150mV	

### Parallel Connection Accessory

FAP-001 (For MS-300)	
-------------------------	--

### Series Connection Accessory

FAS-001 (For 1-slot modules)	
FAS-002 (For 2-slot modules)	

★Peak I: 35% duty cycle maximum within every 10 seconds. Average output power should not exceed the rated power.

★Please use MP450-CNPOQ, MP650-A2EHU, MP1K0-2C2CEKL-1.....etc. as the order code. For more detail information about technical issues, please refer to the user manual.

★Please refer to the user manual for more detail information about parallel connection and the parallel codes. About series connection, please contact us or your local MEAN WELL distributor for more details.



### Features

- Universal AC input / Full range
- Installed on DIN rail TS35 / 7.5 or 15
- Protections: Short circuit / Overload / Over voltage
- No load power consumption <0.75W (<1W for MDR-100)
- LED indicator for power on
- NEC class 2 / LPS compliant (selected models)
- Built-in active PFC and over temp. protection (MDR-100)
- DC OK signal output (MDR-10/20)
- DC OK relay contact (MDR-40/60/100)
- Cooling by free air convection
- 100% full load burn-in test
- 3 years warranty

### General Specification (Please refer to [www.meanwell.com](http://www.meanwell.com) for detail spec.)

Model No.	MDR-10	MDR-20	MDR-40	MDR-60	MDR-100
AC input voltage range	85~264VAC, 120~370VDC				
AC inrush current	Cold start, 35A at 115VAC, 70A at 230VAC	Cold start, 20A at 115VAC, 40A at 230VAC	Cold start, 30A at 115VAC, 60A at 230VAC		
DC adjustment range	Fixed	±10% rated output voltage	0~+20% rated output voltage		
Overload protection	>105% hiccup mode, auto-recovery	105%~160% constant current limiting, auto-recovery	105%~150% constant current limiting, auto-recovery		
Over voltage protection	115%~135% rated output voltage		125%~150% rated output voltage		
Setup, rise, hold up time	500ms, 30ms, 50ms at full load and 230VAC				3000ms, 50ms, 50ms
Withstand voltage	I/P-O/P:3kVAC, I/P-FG:1.5kVAC, 1minute				
Working temperature	-20~+70°C (refer to output derating curve)				-10~+60°C
DC OK signal	Open collector	Open collector	Relay contact		
Safety standards	UL508, TUV EN60950-1, UL60950-1(MDR-40/60) approved, NEC class 2 compliant (MDR-10/20, MDR-40-12/24/48, MDR-60-24/48)				
EMC standards	EN55022 class B, EN61000-3-2,-3, EN61000-4-2,3,4,5,6,8,11, EN61204-3, EN61000-6-2 heavy industry level (MDR-40/60/100)				
Connection	I/P: 3 poles, O/P: 3 poles screw DIN terminal		IP: 3 poles, O/P: 6 poles screw DIN terminal		
Dimension (WxHxD)(mm)	22.5x 90x 100		40x 90x 100		55x 90x 100
Packing	72pcs / 13.2kg	72pcs / 14.7kg	42pcs / 13.6kg	42pcs / 14.8kg	30pcs / 13.6kg

### MDR-10 Series



Model No.	Output	Tol.	R&N	Effi.
MDR-10-5	5V, 0~2.0A	±5%	80mV	77%
MDR-10-12	12V, 0~0.84A	±3%	120mV	81%
MDR-10-15	15V, 0~0.67A	±3%	120mV	81%
MDR-10-24	24V, 0~0.42A	±2%	150mV	84%

### MDR-20 Series



Model No.	Output	Tol.	R&N	Effi.
MDR-20-5	5V, 0~3.0A	±2%	80mV	76%
MDR-20-12	12V, 0~1.67A	±1%	120mV	80%
MDR-20-15	15V, 0~1.34A	±1%	120mV	81%
MDR-20-24	24V, 0~1.00A	±1%	150mV	84%

### MDR-40 Series



Model No.	Output	Tol.	R&N	Effi.
MDR-40-5	5V, 0~6.00A	±2%	80mV	78%
MDR-40-12	12V, 0~3.33A	±1%	120mV	86%
MDR-40-24	24V, 0~1.70A	±1%	150mV	88%
MDR-40-48	48V, 0~0.83A	±1%	200mV	88%

### MDR-60 Series



Model No.	Output	Tol.	R&N	Effi.
MDR-60-5	5V, 0~10.0A	±2%	80mV	78%
MDR-60-12	12V, 0~5.00A	±1%	120mV	86%
MDR-60-24	24V, 0~2.50A	±1%	150mV	88%
MDR-60-48	48V, 0~1.25A	±1%	200mV	87%

### MDR-100 Series



Model No.	Output	Tol.	R&N	Effi.
MDR-100-12	12V, 0~7.5A	±1%	120mV	85%
MDR-100-24	24V, 0~4.0A	±1%	150mV	86%
MDR-100-48	48V, 0~2.0A	±1%	200mV	88%



#### Energy Saving —

We care about energy saving. This logo represents that this model has "low no load power consumption"!



#### To satisfy our customers is our goal —

- High Quality
- Low Cost
- Prompt Delivery
- Best Service





### ■ Features

- Isolation Class II
- Universal AC input / Full range
- Protections: Short circuit / Overload / Over voltage
- Over temperature protection (DR-100)
- No load power consumption < 1W (DR-100)
- No load power consumption < 0.5W (DR-15)
- Installed on DIN rail TS35 / 7.5 or 15
- Cooling by free air convection
- LED indicator for power on
- 100% full load burn-in test
- 3 years warranty
- Suitable for building automation and control of household appliance

### ■ General Specification (Please refer to [www.meanwell.com](http://www.meanwell.com) for detail spec.)



Model No.	DR-15	DR-30	DR-60	DR-100
AC input voltage range	85~264VAC, 120~370VDC		88~264VAC, 124~370VDC	
AC inrush current (max.)	Cold start, 65A at 230VAC	Cold start, 30A at 230VAC	Cold start, 36A at 230VAC	Cold start, 45A at 230VAC
DC adjustment range	±10% rated output voltage			12V: 12~15V, 15V: 15~18V, 24V: 24~29V
Overload Protection	Range	105%~160%		105%~135%
	Type	constant current limiting, auto-recovery		
Over Voltage Protection	Range	115%~135% rated output voltage		125%~155% rated output voltage
	Type	Shut off, clamp by zener diode	Shut down, re-power on to recover	
Withstand voltage	I/P-O/P: 3kVAC			
Working temperature	-20°C~+60°C (refer to output load derating curve)			
Vibration	10~500Hz, 2G 10 min./1 cycle, period for 60 min. each along X, Y, Z axes			
Safety standards	UL60950-1, TUV60950-1 approved			
EMC standards	EN55022 class B, EN61000-3-2,3, EN61000-6-2, EN61000-4-2,3,4,5,6,8,11, EN61204-3			
Connection	I/P and O/P: 2 poles screw DIN terminal	I/P: 2 poles, O/P: 4 poles screw DIN terminal		
Dimension (WxHxD)(mm)	25x 93x 56	78x 93x 56	78x 93x 56	100x 93x 56
Case No.	985A	918B	918B	970A
Packing	140pcs / 15.0kg	48pcs / 14.0kg	48pcs / 15.4kg	36pcs / 13.6kg

### ■ 15W DR-15

Model No.	Output	Tol.	R&N	Effi.
DR-15-5	5V, 0~2.40A	±2%	80mV	77.0%
DR-15-12	12V, 0~1.25A	±1%	120mV	84.0%
DR-15-15	15V, 0~1.00A	±1%	120mV	83.5%
DR-15-24	24V, 0~0.63A	±1%	150mV	85.0%

### ■ 60W DR-60

Model No.	Output	Tol.	R&N	Effi.
DR-60-5	5V, 0~6.5A	±2%	80mV	76%
DR-60-12	12V, 0~4.5A	±1%	120mV	82%
DR-60-15	15V, 0~4.0A	±1%	120mV	83%
DR-60-24	24V, 0~2.5A	±1%	150mV	84%

### ■ 30W DR-30

Model No.	Output	Tol.	R&N	Effi.
DR-30-5	5V, 0~3.0A	±2%	80mV	74%
DR-30-12	12V, 0~2.0A	±1%	120mV	81%
DR-30-15	15V, 0~2.0A	±1%	120mV	82%
DR-30-24	24V, 0~1.5A	±1%	150mV	83%

### ■ 100W DR-100

Model No.	Output	Tol.	R&N	Effi.
DR-100-12	12V, 0~7.5A	±2%	120mV	87%
DR-100-15	15V, 0~6.5A	±1%	120mV	87%
DR-100-24	24V, 0~4.2A	±1%	150mV	89%



We provide specification, drawing, test report and more information, please visit our website —

<http://www.meanwell.com>



### Energy Saving —

We care about energy saving. This logo represents that this model has "low no load power consumption"!



### ■ Features

- Universal AC input / Full range (DR-45/75, DRP-240)  
AC input selectable by switch (DR-120, DRP-480S)  
AC input 180~264VAC only (DRP-480)
- Built-in active PFC function, PF>0.95(DRP-240)
- Built-in passive PFC function compliance to EN61000-3-2 (480W models)
- Protections: Short circuit / Overload /  
Over voltage / Over temperature
- Cooling by free air convection
- Can be installed on DIN rail TS35 / 7.5 or 15
- UL508 (industrial control equipment) listed
- 100% full load burn-in test
- LED indicator for power on
- 3 years warranty

### ■ General Specification (Please refer to [www.meanwell.com](http://www.meanwell.com) for detail spec.)

Model No.	DR-45	DR-75	DR-120	DRP-240	DRP-480	DRP-480S
AC input voltage range	85~264VAC(DR-45/75, DRP-240); 90~132/180~264VAC selectable by switch (DR-120, DRP-480S); 180~264VAC only (DRP-480)					
AC inrush current (230VAC)	56A	40A	40A	45A	40A	45A
DC adjustment range	±10%					
Overload protection	105%~150% constant current limiting, auto-recovery					
Over voltage protection	Range	115%~142% rated output voltage			30~36V for 24V model, 54~60V for 48V model	
	Type	Shut off, AC recycle to re-start				
Over temp. protection	Shut down output voltage, recovers automatically after temperature goes down					
Withstand voltage	I/P-O/P: 3kVAC, I/P-FG: 1.5kVAC, O/P-FG: 0.5kVAC, 1 minute					
Working temperature	-10°C~+50°C	-10°C~+60°C		-10°C~+70°C	-20°C~+70°C	
Safety standards	UL508, TUV EN60950-1 approved (UL60950-1 also for DR-120, DRP-240, DRP-480, DRP-480S)					
EMC standards	EN55022 class B, EN61000-3-2,3, EN61000-4-2,3,4,5,6,8,11, EN61000-6-2 heavy industry level					
Connection	I/P: 3 poles, O/P: 4 poles screw DIN terminal					
Dimension (WxHxD)(mm)	78x 93x 67	55.5x 125.2x 100	65.5x 125.2x 100	125.5x 125.2x 100	227x 125.2x 100	
Case No.	918A	923	921A	922A	930	
Packing	48pcs / 17.5kg	20pcs / 13.0kg	20pcs / 16.5kg	12pcs / 15.5kg	6pcs / 15.0kg	6pcs / 16.6kg

### ■ DR-45 Series



Model No.	Output	Tol.	R&N	Effi.
DR-4505	5V, 0~5.0A	±2%	100mV	72%
DR-4512	12V, 0~3.5A	±1%	200mV	77%
DR-4515	15V, 0~2.8A	±1%	240mV	77%
DR-4524	24V, 0~2.0A	±1%	480mV	80%

### ■ DR-75 Series



Model No.	Output	Tol.	R&N	Effi.
DR-75-12	12V, 0~6.3A	±2%	100mV	76%
DR-75-24	24V, 0~3.2A	±1%	150mV	80%
DR-75-48	48V, 0~1.6A	±1%	240mV	81%

### ■ DR-120 Series



Model No.	Output	Tol.	R&N	Effi.
DR-120-12	12V, 0~10A	±2%	80mV	80%
DR-120-24	24V, 0~5.0A	±1%	80mV	84%
DR-120-48	48V, 0~2.5A	±1%	100mV	85%

### ■ DRP-240 Series



Model No.	Output	Tol.	R&N	Effi.
DRP-240-24	24V, 0~10A	±1%	80mV	84%
DRP-240-48	48V, 0~5.0A	±1%	150mV	85%

### ■ DRP-480 Series



Model No.	Output	Tol.	R&N	Effi.
DRP-480-24	24V, 0~20A	±1%	120mV	89%
DRP-480-48	48V, 0~10A	±1%	120mV	89%

### ■ DRP-480S Series



Model No.	Output	Tol.	R&N	Effi.
DRP-480S-24	24V, 0~20A	±1%	120mV	89%
DRP-480S-48	48V, 0~10A	±1%	120mV	89%



### Customer Satisfaction —

Today's effort, tomorrow's reward. Continuously improve CQTS to satisfy customer is our goal.



### To satisfy our customers is our goal —

- High Quality
- Low Cost
- Prompt Delivery
- Best Service



We provide specification, drawing, test report and more information, please visit our website —

<http://www.meanwell.com>



### ■ Features

- Input 340~550VAC, 3-phase (two phase for DRH-120)
- Protections: Short circuit / Overload / Over voltage / Over temperature
- Built-in constant current limiting circuit
- Cooling by free air convection
- Can be installed on DIN rail TS35 / 7.5 or 15
- UL508 (industrial control equipment) listed (240~960W)
- EN61000-6-2 industrial immunity level
- Optional parallel function (1+1) (960W only)
- 100% full load burn-in test
- LED indicator for power on
- 3 years warranty

### ■ General Specification (Please refer to [www.meanwell.com](http://www.meanwell.com) for detail spec.)

Model No.	DRH-120	DRT-240	DRT-480	DRT-960
AC input voltage range	340~550VAC, two phase	340~550VAC, 3-phase (two phase operation possible)		
AC inrush current (max.)	Cold start, 50A at 400VAC			
DC adjustment range	24V: 24~28V, 48V: 48~55V			
Overload protection	Range	105%~160%	105%~150%	105%~125%
	Type	Constant current limiting, auto-recovery		Constant current limiting, delay shut off after 3 sec.
Over voltage protection	Range	24V: 30~36V, 48V: 59~66V		
	Type	Shut off, AC recycle to re-start		
Over temperature protection	Shut down output voltage, recovers automatically after temperature goes down			
Withstand voltage	I/P - O/P: 3kVAC, I/P - FG: 1.5kVAC, O/P - FG: 0.5kVAC, 1 minute			
Working temperature	-20~+60°C	-20~+70°C		-20~+60°C
Safety standards	UL60950-1 approved	UL508, UL60950-1, TUV EN60950-1 approved		
EMC standards	EN55022 class B, EN61000-3-2,3, EN61000-4-2,3,4,5,6,8,11, EN61204-3, EN61000-6-2 heavy industry level			
Connection (screw DIN terminal)	I/P: 3 poles, O/P: 4 poles	I/P: 4 poles, O/P: 4 poles		I/P: 4 poles, O/P: 6 poles
Dimension (WxHxD)(mm)	65.5x 125.2x 100	125.5x 125.2x 100	227x 125.2x 100	276x 125.2x 100
Case No.	921	922A	930A	934
Packing	20pcs / 16.0kg	12pcs / 16.6kg	6pcs / 16.0kg	4pcs / 14.2kg

### ■ DRH-120 (Two Phase)



Model No.	Output	Tol.	R&N	Effi.
DRH-120-24	24V, 0~5.0A	±1%	80mV	85%
DRH-120-48	48V, 0~2.5A	±1%	80mV	86%

### ■ DRT-480 (Three Phase)



Model No.	Output	Tol.	R&N	Effi.
DRT-480-24	24V, 0~20A	±1%	80mV	89%
DRT-480-48	48V, 0~10A	±1%	80mV	90%

### ■ DRT-240 (Three Phase)



Model No.	Output	Tol.	R&N	Effi.
DRT-240-24	24V, 0~10A	±1%	80mV	89%
DRT-240-48	48V, 0~5.0A	±1%	80mV	89%

### ■ DRT-960 (Three Phase)



Model No.	Output	Tol.	R&N	Effi.
DRT-960-24	24V, 0~40A	±1%	80mV	91%
DRT-960-48	48V, 0~20A	±1%	80mV	92%



We are a TQM (Total Quality Management) company and ISO-9001 certified since 1994.



#### Products —

- One Stop Shopping
- Total Solution



#### Best products also need best service.

We have authorized distributors all over the world. They have sufficient stock for your prompt delivery. Also they can offer you technical support & RMA services. Please contact your local distributors for more product information. You can also contact us at [info@meanwell.com](mailto:info@meanwell.com) for information of your local distributors.



Who can provide you better services and be a trustworthy partner in the power industry?

— "MEAN WELL" tries to be —



#### 48hrs delivery—

We keep enough stock for 95% of standard models at our 2400m<sup>2</sup> warehouse. We can arrange prompt delivery within 48hrs.



### ■ Features

- High efficiency up to 94% (SDR-240/480)
- Universal AC input / Full range
- Built-in active PFC function, PF>0.93
- Protections: Short circuit / Overload / Over voltage / Over temperature
- Cooling by free air convection
- Can be installed on DIN rail TS-35/7.5 or 15
- UL508(industrial control equipment) approved
- EN61000-6-2(EN50082-2) industrial immunity level
- Built-in DC OK relay contact
- 150% peak load capability
- Comply with GL and SEMI F47
- **Current sharing (7+1) for SDR-480P**
- 3 years warranty

### ■ General Specification (Please refer to [www.meanwell.com](http://www.meanwell.com) for detail spec.)



Model No.	SDR-120	SDR-240	SDR-480
AC input voltage range	88~264VAC; 124~370VDC		90~264VAC; 127~370VDC
AC inrush current (max.)	Cold start, 70A at 230VAC	Cold start, 65A at 230VAC	Cold start, 80A at 230VAC
DC adjustment range	12V: 12~14V (only for SDR-120), 24V: 24~28V, 48V: 48~55V		
Overload protection	Normally works within 110 ~ 150% rated output power for 3 seconds and then shut down output voltage with auto-recovery >150% rated power or short circuit, constant current limiting with auto-recovery within 2 seconds and may cause to shut down if over 2 seconds		
Over voltage protection	Range	14~17V for 12V model(SDR-120 only), 29~33V for 24V model, 56~65V for 48V model	
	Type	Shut down o/p voltage, re-power on to recover	Shut down o/p voltage with auto-recovery
Over temperature protection	Range	95°C±5°C (TSW : detect on heatsink of power switch)	105°C±5°C (TSW : detect on heatsink of power switch)
	Type	Shut down output voltage, recovers automatically after temperature goes down	
Withstand voltage	I/P-O/P:3kVAC I/P-FG:1.5kVAC O/P-FG:0.5kVAC O/P-DC OK:0.5kVAC		
Working temperature	-25~+70°C (Refer to output derating curve)		
Safety standards	UL508, TUV EN60950-1, GL approved		
EMC standards	Compliance to EN55022 Class B, EN61000-4-2,3,4,5,6,8,11, EN61000-6-2 (EN50082-2), EN61204-3, heavy industry level, SEMI F47, GL		
Connection	I/P: 3 poles, O/P: 4 poles screw DIN terminal	I/P: 3 poles, O/P: 6 poles screw DIN terminal	I/P: 3 poles, O/P: 8 poles screw DIN terminal
Dimension (WxHxD)(mm)	40x 125.2x 113.5	63x 125.2x 113.5	85.5x 125.2x 128.5

### ■ 120W SDR-120

Model No.	Output	Tol.	R&N	Effi.
SDR-120-12	12V, 0~10A	±1.0%	100mV	89.0%
SDR-120-24	24V, 0~ 5A	±1.0%	100mV	91.0%
SDR-120-48	48V, 0~2.5A	±1.0%	120mV	90.5%

### ■ 240W SDR-240

Model No.	Output	Tol.	R&N	Effi.
SDR-240-24	24V, 0~10A	±1.0%	100mV	94.0%
SDR-240-48	48V, 0~5A	±1.0%	120mV	94.0%

### ■ 480W SDR-480

Model No.	Output	Tol.	R&N	Effi.
SDR-480 □ -24	24V, 0~20A	±1.2%	100mV	94.0%
SDR-480 □ -48	48V, 0~10A	±1.0%	120mV	94.0%

□ =blank, P ; Blank: basic function, P: with parallel function

We provide specification, drawing, test report and more information, please visit our website — <http://www.meanwell.com>

### ► Feature Description

SDR family is our new slim DIN rail product series targeting at the growing demand of high performance DIN rail power supply in the market. Featuring up to 94% of extreme high efficiency, they can provide 120W, 240W, or 480W continuously and 150% peak power for 3 seconds up to 60°C by only free air convection. The slim design of 40mm(SDR-120) / 63mm(SDR-240) / 85.5mm(SDR-480) in width helps save the precious space on the rail and also makes it 30.7%, 43% and 51.6% smaller in size compare to its predecessor model. To fulfill the requirements of marine and semi-conductor related usage, the SDR family complies with GL and SEMI F47 norms in addition to UL, CUL, TUV, and CE certificates.



### Features

- Single and two phase wide input range 180~550VAC
- Built-in active PFC (WDR-240/480)
- Protections: Short circuit / Overload / Over voltage / Over temperature
- Cooling by free air convection
- Built-in constant current limiting circuit
- Can be installed on DIN rail TS-35/7.5 or 15
- UL508(industrial control equipment) approved
- EN61000-6-2(EN50082-2) industrial immunity level
- Built-in DC OK relay contact
- 100% full load burn-in test
- 3 years warranty



### General Specification (Please refer to [www.meanwell.com](http://www.meanwell.com) for detail spec.)

Model No.	WDR-120	WDR-240 <b>NEW</b>	WDR-480 <b>NEW</b>
AC input voltage range	180~550VAC(single and two phase); 254~780VDC		
AC input current	0.55A / 400VAC, 1.2A / 230VAC	1A / 400VAC, 2A / 230VAC	1.6A / 400VAC, 4A / 230VAC
AC inrush current (max.)	Cold start, 50A at 400VAC		
DC adjustment range	12V: 12~15V, 24V: 24~29V, 48V: 48~58V	24V: 24~28V, 48V: 48~55V	
Overload protection	105%~130% rated output power, constant current limiting, auto-recovery	105%~130% rated output power, constant current limiting, unit will shut down after 3 sec.; auto-recovery after 1 minute if the fault condition is removed.	
Over voltage protection	Range	16~18V for 12V model (only for WDR-120), 29~33V for 24V model, 56~65V for 48V model	
	Type	Shut down o/p voltage, auto-recovery	
Setup, rise, hold up time	2000ms, 70ms, 10ms at full load and 230VAC; 2000ms, 70ms, 50ms at full load and 400VAC		2000ms, 150ms, 16ms at full load and 230VAC; 800ms, 150ms, 18ms at full load and 400VAC
	100°C±5°C (TSW1 : detect on heatsink of power switch)		90°C~±5°C
Over temperature protection	Shut down output voltage, recovers automatically after temperature goes down		
Withstand voltage	I/P-O/P:3kVAC I/P-FG:1.5kVAC O/P-FG:0.5kVAC		
Isolation resistance	100MΩ(min.)@500VDC		
Working temperature	-25~+70°C (Refer to output derating curve)	-30°C~+70°C (Refer to output derating curve)	
DC OK signal	Relay Contact		
Leakage current	<3.5mA at 530VAC		
Vibration	10~500Hz, 2G, 10 minutes / 1 cycle, period of 60 minutes each along X, Y, Z axes		
Safety standards	UL508 approved ; IEC60950-1 CB approved by SIQ ; Design refer to GL		
EMC standards	Compliance to EN55011(CISPR11), EN55022 Class B, EN61000-4-2,3,4,5,6,8,11, EN61000-6-2 (EN50082-2), EN61204-3, heavy industry level		
Connection	I/P: 3 poles, O/P: 4 poles screw DIN terminal	I/P: 3 poles, O/P: 6 poles screw DIN terminal	
Dimension (WxHxD)(mm)	40x 125.2x 113.5	63x 125.2x 113.5	85.5x 125.2x 128.5
Packing	20pcs / 14kg	12pcs / 13.7kg	8pcs / 14.6kg

### 120W

### WDR-120

Model No.	Output	Tol.	R&N	Effi.
WDR-120-12	12V, 0~10A	±1.5%	120mV	89.5%
WDR-120-24	24V, 0~5A	±1.0%	120mV	91.0%
WDR-120-48	48V, 0~2.5A	±1.0%	150mV	92.0%

### 240W

### **NEW** WDR-240

Model No.	Output	Tol.	R&N	Effi.
WDR-240-24	24V, 0~10A	±1.0%	150mV	91%.
WDR-240-48	48V, 0~5A	±1.0%	150mV	91%.

### 480W

### **NEW** WDR-480

Model No.	Output	Tol.	R&N	Effi.
WDR-480-24	24V, 0~20A	±1.0%	100mV	92%.
WDR-480-48	48V, 0~10A	±1.0%	150mV	93%.



#### Customer Satisfaction —

Today's effort, tomorrow's reward. Continuously improve CQTS to satisfy customer is our goal.



We provide specification, drawing, test report and more information, please visit our website —

<http://www.meanwell.com>

### 20A Power Supply Redundant Module



- Suitable for redundant operation of 24V system
- Installed on DIN rail TS35 / 7.5 or 15
- Relay contact signal output and LED indicator for input failure alarm
- Cooling by free air convection
- 3 years warranty

CASE: 923C 55.5x 125.2x 100 mm

DC input voltage range ..... 21~28V, 20A max. x 2 channels  
 Reverse voltage ..... 30V  
 DC output current ..... 20A max.  
 DC output voltage drop ..... 0.5V max.  
 Input voltage alarm ..... When input is > 20V(±5%) or <30V(±5%), relay contacts  
 Relay contact rating ..... 30VDC, 1A  
 Working temperature ..... -20~+70°C  
 EMC standards ..... EN55022 class B, EN61000-4-2,3,4,5,6,8,11  
 Connection ..... I/P: 4 poles, O/P: 2 poles screw DIN terminal, Single output: 4 poles  
 Packing ..... 0.5Kg ; 20pcs / 11Kg / 1.29CUFT

Model No.	Output	Reverse Voltage	Current
DR-RDN20	24V, 20A	30V max.	20A max.

#### ► Feature Description

**DR-RDN-20** is a 20A redundancy (decoupling) module for the 24Vdc power system. Containing 2 sets of 20A Or-ing diodes with wonderful heat dissipation deployment, DR-RDN20 offers a safe option of 1+1 redundant set-up. Not only perfectly decouple power sources from each other as well as from the load, DR-RDN-20 also provides users monitoring signals for both input channels through the built-in relays.

**DR-UPS40** is a 40A max. DC UPS (battery control) module for the 24Vdc power system. Accompany with external batteries, it can back-up up to 40A of current to critical loads for certain period of time depending on the capacity of batteries. With complete monitoring signals / LED indicators for DC BUS OK, Battery Fail, Battery Discharge, and the repeated Battery Test function to check the situation of external batteries, users can customize their own DC UPS system to back up critical loads and capture the status of the whole system easily.

**960W**  
Slim and Three Phase Input  
DIN Rail Power Supply

**Under Development**

- Three phase 340~550VAC wide input range (Two phase operation possible)
- Width only 110mm
- High efficiency up to 94%
- Built-in PFC function
- Protections: Short circuit / Overload / Over voltage / Over temperature
- Current sharing up to 3840W(3+1)
- Cooling by free air convection
- Can be installed on DIN rail TS35 / 7.5 or 15
- Design refer to UL508, IEC60950-1
- EN61000-6-2(EN50082-2) industrial immunity level
- Built-in DC OK relay contact
- Output models: 24V / 48V
- 3 years warranty

### 40A DC UPS Module



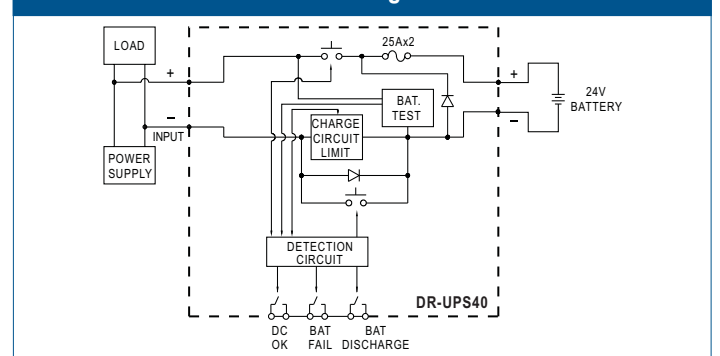
CASE: 923D 55.5x 125.2x 100 mm

- Battery controller for DIN rail UPS system
- Parallel connected to DC BUS
- Suitable for 24V system up to 40A
- Installed on DIN Rail TS35 / 7.5 or 15
- Built-in battery test function
- Battery polarity protection
- Relay contact signal output and LED indicator for DC BUS OK, Battery Fail, and Battery Discharge
- Cooling by free air convection
- 3 years warranty

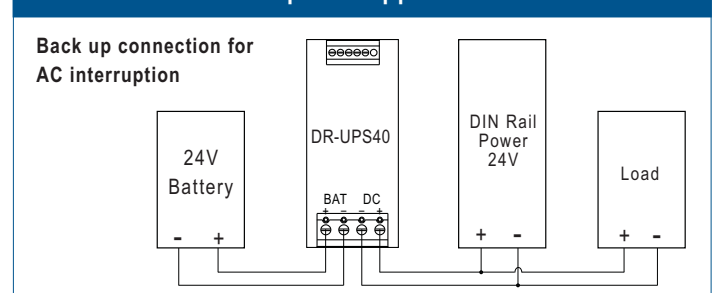
DC input / DC bus ..... 24~29V, 40A max.  
 Battery input voltage ..... 21~29V  
 Battery input Current ..... 0~40A  
 Charge current (typ.) ..... 2A  
 External battery (typ.) ..... 24V, 4AH / 7AH / 12AH  
 DC bus ok ..... Relay status : Short when DC voltage between 21~29V(±3%), relay contacts  
 LED(Green) : DC bus OK : light;  
 DC bus fail : dark  
 Battery fail ..... Relay status : Short when battery failure is observed through the battery test function, relay contacts  
 LED(Red) : Battery over-discharge warning or battery broken: light;  
 Battery OK: dark  
 Battery discharge ..... Relay status : Short when battery in discharge condition, relay contacts  
 LED(Yellow) : Battery discharging: light;  
 Battery is not discharging or discharging current <2A: dark  
 Working temperature ..... -20~+70°C  
 EMC standards ..... EN55022 class B, EN61000-4-2,3,4,5,6,8,11  
 Connection ..... I/P: 2 poles, O/P: 2 poles screw DIN terminal, Single output: 6 poles

Model No.	DC BUS Voltage	DC BUS Current
DR-UPS40	24~29V	40A max.

#### Block Diagram



#### Example of Application





### Features

- Universal AC input / Full range
- Ultra-miniature size
- Protections: Short circuit / Overload / Over voltage
- No load power consumption <0.5W (<0.75W for 20W models)
- Fully isolated plastic case
- Isolation class II (5~15W)
- Low leakage current < 200uA (20W)
- Cooling by free air convection
- Medical safety approved
- Meet industrial, IT safety requirements
- 100% full load burn-in test
- 3 years warranty



PM-05 / 10 / 15 Series				PM-20 Series	
		<b>5W</b>	<b>10W</b>	<b>15W</b>	
	<b>A</b>	2.475" (62.85mm)	2.76" (70mm)	2.95" (75mm)	
	<b>B</b>	1.85" (47mm)	2.13" (54mm)	2.441" (62mm)	
	<b>C</b>	0.306" (7.8mm)	0.315" (8mm)	0.256" (6.5mm)	
	<b>D</b>	1.97" (50mm)	1.97" (50mm)	2.09" (53mm)	
	<b>E</b>	0.689" (17.5mm)	0.689" (17.5mm)	0.788" (20mm)	
	<b>F</b>	0.295" (7.5mm)	0.295" (7.5mm)	0.256" (6.5mm)	
	<b>G</b>	0.789" (20.04mm)	0.789" (20.04mm)	0.906" (23.01mm)	
	<b>H</b>	0.59" (15mm)	0.59" (15mm)	0.59" (15mm)	
	<b>I</b>	0.776" (19.7mm)	0.89" (22.7mm)	0.89" (22.7mm)	

### General Specification

AC input voltage range ..... 85~264VAC; 120~370VDC  
 Frequency range ..... 47-440Hz  
 AC inrush current (max.) ... Cold start, 25A at 115VAC, 45A at 230VAC  
 ( PM-15: 30A at 115VAC, 50A at 230VAC )  
 ( PM-20: 30A at 115VAC, 65A at 230VAC )  
 Overload protection ..... >105% hiccup mode, auto recovery  
 Over voltage protection ..... 115%~135% rated output voltage, shut off,  
 AC recycle to re-start  
 Setup, rise, hold up time ... 1000ms, 20ms, 100ms @ 230VAC  
 (PM-20: 500ms, 20ms, 50ms @ 230VAC)  
 Withstand voltage ..... I/P-O/P: 4kVAC, 1 minute  
 Working temperature ..... -20°C~70°C (refer to output derating curve)  
 Safety standards ..... UL60601-1, TUV EN60601-1, UL60950-1 (PM-15)  
 approved  
 EMC standards ..... EN55011, EN55022 Class B, EN61000-3-2,3  
 EN61000-4-2,3,4,5,6,8,11, EN55024,  
 EN60601-1-2, EN61204-3 Medical level, criteria A  
 Connection ..... 4 industrial pins ( 20W: 6 industrial pins )  
 Packing ..... 0.085kg ; 120pcs / 11.2kg / 0.97CUFT(PM-05)  
 0.105kg ; 120pcs / 13.6kg / 0.97CUFT(PM-10)  
 0.14kg ; 120pcs / 17.8kg / 0.97CUFT(PM-15)  
 0.18kg ; 90pcs / 17.2kg / 0.97CUFT(PM-20)

### PM-05 Series

Model No.	Output	Tol.	R&N	Effi.
PM-05-3.3	3.3V, 0~1.25A	±3%	80mV	67%
PM-05-5	5V, 0~1.00A	±2%	80mV	71%
PM-05-12	12V, 0~0.42A	±2%	150mV	73%
PM-05-15	15V, 0~0.33A	±2%	150mV	74%
PM-05-24	24V, 0~0.23A	±2%	240mV	76%

### PM-10 Series

Model No.	Output	Tol.	R&N	Effi.
PM-10-3.3	3.3V, 0~2.50A	±3%	150mV	66%
PM-10-5	5V, 0~2.00A	±2%	150mV	74%
PM-10-12	12V, 0~0.85A	±2%	150mV	78%
PM-10-15	15V, 0~0.67A	±2%	150mV	79%
PM-10-24	24V, 0~0.42A	±2%	240mV	79%

### PM-15 Series

Model No.	Output	Tol.	R&N	Effi.
PM-15-3.3	3.3V, 0~3.50A	±3%	80mV	73%
PM-15-5	5V, 0~3.00A	±2%	80mV	76%
PM-15-12	12V, 0~1.25A	±2%	150mV	78%
PM-15-15	15V, 0~1.00A	±2%	150mV	79%
PM-15-24	24V, 0~0.63A	±2%	240mV	81%

### PM-20 Series

Model No.	Output	Tol.	R&N	Effi.
PM-20-3.3	3.3V, 0~4.50A	±3%	80mV	71%
PM-20-5	5V, 0~4.40A	±2%	80mV	75%
PM-20-12	12V, 0~1.80A	±2%	150mV	81%
PM-20-15	15V, 0~1.40A	±2%	150mV	83%
PM-20-24	24V, 0~0.92A	±2%	240mV	84%



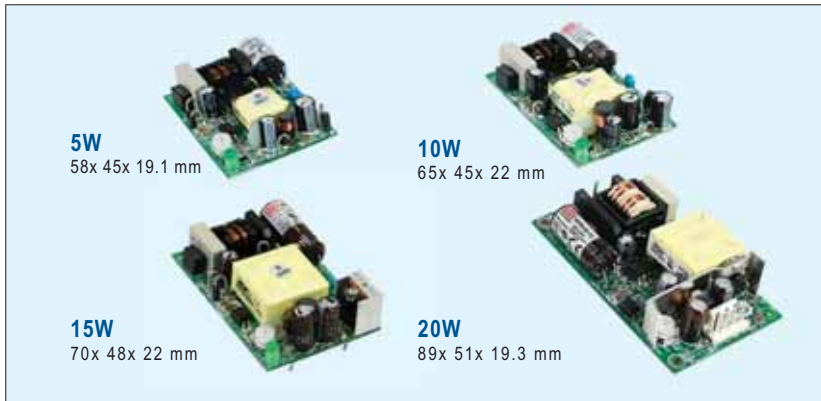
#### Energy Saving —

We care about energy saving. This logo represents that this model has "low no load power consumption"!



#### To satisfy our customers is our goal —

- High Quality
- Low Cost
- Prompt Delivery
- Best Service



### Features

- Universal AC input / Full range
- Ultra-miniature size, light weight
- Protections:
  - Short circuit / Overload / Over voltage / Over temp.
- No load power consumption <0.5W (<0.75W for 20W models)
- Isolation class II (5~15W)
- On-board type version available for 20W (optional)
- Low leakage current < 200uA (20W)
- Cooling by free air convection
- Medical safety approved
- Meet industrial, IT safety requirements
- 100% full load burn-in test
- 3 years warranty



NFM-05 / 10 / 15 Series				NFM-20 Series																																								
		<table border="1"> <thead> <tr> <th></th> <th>5W</th> <th>10W</th> <th>15W</th> </tr> </thead> <tbody> <tr> <td>A</td> <td>1.77" (45mm)</td> <td>1.77" (45mm)</td> <td>1.89" (48mm)</td> </tr> <tr> <td>B</td> <td>0.689" (17.5mm)</td> <td>0.689" (17.5mm)</td> <td>0.788" (20mm)</td> </tr> <tr> <td>C</td> <td>0.21" (5.33mm)</td> <td>0.22" (5.5mm)</td> <td>0.157" (4mm)</td> </tr> <tr> <td>D</td> <td>1.85" (47mm)</td> <td>2.13" (54mm)</td> <td>2.441" (62mm)</td> </tr> <tr> <td>E</td> <td>2.28" (57.9mm)</td> <td>2.56" (65mm)</td> <td>2.75" (69.85mm)</td> </tr> <tr> <td>F</td> <td>0.491" (12.47mm)</td> <td>0.491" (12.47mm)</td> <td>0.492" (12.5mm)</td> </tr> <tr> <td>G</td> <td>0.789" (20.04mm)</td> <td>0.789" (20.04mm)</td> <td>0.906" (23.01mm)</td> </tr> <tr> <td>H</td> <td>0.196" (5mm)</td> <td>0.196" (5mm)</td> <td>0.157" (4mm)</td> </tr> <tr> <td>I</td> <td>0.75" (19.1mm)</td> <td>0.87" (22mm)</td> <td>0.87" (22mm)</td> </tr> </tbody> </table>		5W	10W	15W	A	1.77" (45mm)	1.77" (45mm)	1.89" (48mm)	B	0.689" (17.5mm)	0.689" (17.5mm)	0.788" (20mm)	C	0.21" (5.33mm)	0.22" (5.5mm)	0.157" (4mm)	D	1.85" (47mm)	2.13" (54mm)	2.441" (62mm)	E	2.28" (57.9mm)	2.56" (65mm)	2.75" (69.85mm)	F	0.491" (12.47mm)	0.491" (12.47mm)	0.492" (12.5mm)	G	0.789" (20.04mm)	0.789" (20.04mm)	0.906" (23.01mm)	H	0.196" (5mm)	0.196" (5mm)	0.157" (4mm)	I	0.75" (19.1mm)	0.87" (22mm)	0.87" (22mm)		
	5W	10W	15W																																									
A	1.77" (45mm)	1.77" (45mm)	1.89" (48mm)																																									
B	0.689" (17.5mm)	0.689" (17.5mm)	0.788" (20mm)																																									
C	0.21" (5.33mm)	0.22" (5.5mm)	0.157" (4mm)																																									
D	1.85" (47mm)	2.13" (54mm)	2.441" (62mm)																																									
E	2.28" (57.9mm)	2.56" (65mm)	2.75" (69.85mm)																																									
F	0.491" (12.47mm)	0.491" (12.47mm)	0.492" (12.5mm)																																									
G	0.789" (20.04mm)	0.789" (20.04mm)	0.906" (23.01mm)																																									
H	0.196" (5mm)	0.196" (5mm)	0.157" (4mm)																																									
I	0.75" (19.1mm)	0.87" (22mm)	0.87" (22mm)																																									

### General Specification

AC input voltage range ..... 85~264VAC; 120~370VDC  
 Frequency range ..... 47-440Hz  
 AC inrush current (max.) ..... Cold start, 25A at 115VAC, 45A at 230VAC  
 ( NFM-15: 30A at 115VAC, 50A at 230VAC )  
 ( NFM-20: 30A at 115VAC, 65A at 230VAC )  
 DC adjustment range ..... ±10% rated output voltage  
 Overload protection ..... >105% hiccup mode, auto recovery  
 Over voltage protection ..... 115%~135% rated output voltage, shut off,  
 AC recycle to re-start  
 Over temp. protection ..... U1,Tj: 140~160°C, power shutdown, recovers  
 automatically after temperature goes down  
 Setup, rise, hold up time ..... 1000ms, 20ms, 100ms @ 230VAC  
 ( NFM-20: 500ms, 20ms, 50ms @ 230VAC )  
 Withstand voltage ..... I/P-O/P: 4kVAC, 1 minute  
 Working temperature ..... -20°C~70°C (refer to output derating curve)  
 Safety standards ..... UL60601-1, TUV EN60601-1,  
 UL60950-1 (NFM-15) approved  
 EMC standards ..... EN55011, EN55022 Class B, EN61000-3-2,3  
 EN61000-4-2,3,4,5,6,8,11, EN55024,  
 EN60601-1-2, EN61204-3 Medical level,  
 criteria A  
 Connection ..... 4 industrial pins for 5~15W  
 3P / 4P / 3.96mm pitch, Molex 41791-03/04  
 for 20W  
 Packing ..... 0.03kg ; 120pcs / 4.6kg / 0.97CUFT(NFM-05)  
 0.045kg ; 120pcs / 6.4kg / 0.97CUFT(NFM-10)  
 0.065kg ; 120pcs / 8.8kg / 0.97CUFT(NFM-15)  
 0.09kg ; 105pcs / 10.5kg / 0.97CUFT(NFM-20)

### NFM-05 Series

Model No.	Output	Tol.	R&N	Effi.
NFM-05-3.3	3.3V, 0~1.25A	±2%	80mV	67%
NFM-05-5	5V, 0~1.00A	±2%	80mV	71%
NFM-05-12	12V, 0~0.42A	±1%	150mV	73%
NFM-05-15	15V, 0~0.33A	±1%	150mV	74%
NFM-05-24	24V, 0~0.23A	±1%	240mV	76%

### NFM-10 Series

Model No.	Output	Tol.	R&N	Effi.
NFM-10-3.3	3.3V, 0~2.50A	±2%	150mV	66%
NFM-10-5	5V, 0~2.00A	±2%	150mV	74%
NFM-10-12	12V, 0~0.85A	±1%	150mV	78%
NFM-10-15	15V, 0~0.67A	±1%	150mV	79%
NFM-10-24	24V, 0~0.42A	±1%	240mV	79%

### NFM-15 Series

Model No.	Output	Tol.	R&N	Effi.
NFM-15-3.3	3.3V, 0~3.50A	±2%	80mV	73%
NFM-15-5	5V, 0~3.00A	±2%	80mV	76%
NFM-15-12	12V, 0~1.25A	±1%	150mV	78%
NFM-15-15	15V, 0~1.00A	±1%	150mV	79%
NFM-15-24	24V, 0~0.63A	±1%	240mV	81%

### NFM-20 Series

Model No.	Output	Tol.	R&N	Effi.
NFM-20-3.3	3.3V, 0~4.50A	±2%	80mV	71%
NFM-20-5	5V, 0~4.40A	±2%	80mV	75%
NFM-20-12	12V, 0~1.80A	±1%	150mV	81%
NFM-20-15	15V, 0~1.40A	±1%	150mV	83%
NFM-20-24	24V, 0~0.92A	±1%	240mV	84%



### Energy Saving —

We care about energy saving. This logo represents that this model has "low no load power consumption"!

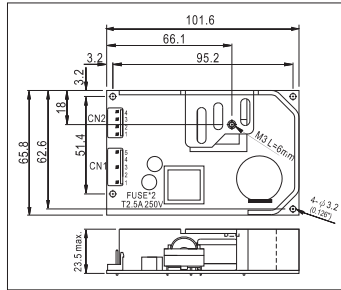


### 30W Single Output Medical Type

- Universal AC input / Full range
- Medical safety approved
- Protections: Short circuit / Overload / Over voltage / Over temp.
- Low leakage current  $\leq 0.3\text{mA}$
- Compact size, low profile
- 100% full load burn-in test
- 3 years warranty



101.6x 65.8x 23.5 mm



- AC input voltage range .... 88~264VAC; 120~370VDC  
 Overload protection ..... >105% hiccup mode, auto-recovery  
 Over voltage protection ... 110%~135% rated output voltage  
 Leakage current ..... Less than 0.3mA at 264VAC  
 Withstand voltage ..... I/P-O/P: 4kVAC, I/P-FG: 1.5kVAC, 1minute  
 Working temperature ..... -10~60°C (refer to output derating curve)  
 Safety standards ..... UL2601-1, TUV EN60601-1, IEC60601-1 approved  
 EMC standards ..... EN55011 class B, EN60601-1-2, EN61000-3-2,3, EN61000-4-2,3,4,5,6,8,11  
 Connection ..... 5+4P/ 3.96mm pitch, Molex P/N: 41791-05,04  
 Packing ..... 0.16kg ; 90pcs / 15.8kg / 1.02CUFT

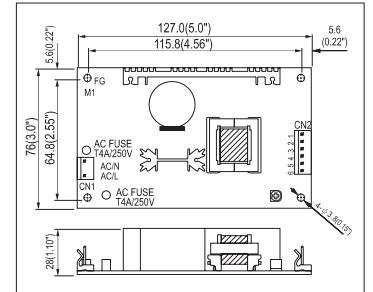
Model No.	Output	Tol.	R&N	Effi.
MPS-30-5	5V, 0~5.0A	±3%	80mV	72%
MPS-30-12	12V, 0~2.5A	±3%	120mV	75%
MPS-30-15	15V, 0~2.0A	±3%	150mV	76%
MPS-30-24	24V, 0~1.2A	±3%	240mV	77%
MPS-30-27	27V, 0~1.1A	±3%	240mV	78%
MPS-30-48	48V, 0~0.6A	±2%	240mV	78%

### 45W 1~3 Output Medical Type

- Universal AC input / Full range
- Medical safety approved
- Protections: Short circuit / Overload / Over voltage
- Low leakage current  $\leq 0.3\text{mA}$
- Approvals: UL / CUL / TUV / CB / CE
- Fixed switching frequency at 45kHz
- 100% full load burn-in test
- 3 years warranty



127x 76x 28 mm



- AC input voltage range .... 90~264VAC; 120~370VDC  
 AC inrush current ..... Cold start, 17A at 115VAC, 35A at 230VAC  
 DC adjustment range ..... CH1: ±10% rated output voltage  
 Overload protection ..... 53~75W hiccup mode, auto-recovery  
 Over voltage protection ... CH1: 115%~135% rated output voltage  
 Leakage current ..... Less than 0.3mA at 264VAC  
 Setup, rise, hold up time .. 800ms, 30ms, 50ms at full load and 230VAC  
 Withstand voltage ..... I/P - O/P: 4kVAC, I/P - FG: 1.5kVAC, 1 minute  
 Working temperature ..... -10°C~60°C (refer to output derating curve)  
 Safety standards ..... UL2601-1, TUV EN60601-1, IEC60601-1 approved  
 EMC standards ..... EN55011 class B, EN61000-4-2,3,4,5,6,8,11, EN61000-3-2,3, EN60601-1-2  
 Connection ..... 2P,6P/ 3.96mm pitch, Molex P/N: 5277-02, 5273-06  
 Packing ..... 0.18kg ; 72pcs/ 15.1kg / 1.35CUFT (MPS-45)  
 0.20kg ; 72pcs/ 17.4kg / 1.35CUFT (MPD-45)  
 0.21kg ; 72pcs/ 18.0kg / 1.35CUFT (MPT-45)

#### Single Output

Model No.	Output	Tol.	R&N	Effi.
MPS-45-3.3	3.3V, 0~8.0A	±3%	80mV	65%
MPS-45-5	5V, 0~8.0A	±3%	100mV	72%
MPS-45-7.5	7.5V, 0~5.4A	±3%	100mV	75%
MPS-45-12	12V, 0~3.7A	±2%	100mV	76%
MPS-45-13.5	13.5V, 0~3.3A	±2%	100mV	76%
MPS-45-15	15V, 0~3.0A	±2%	100mV	77%
MPS-45-24	24V, 0~1.9A	±2%	100mV	78%
MPS-45-27	27V, 0~1.7A	±2%	100mV	78%
MPS-45-48	48V, 0~1.0A	±2%	100mV	78%

#### Dual Output

Model No.	Output	Tol.	R&N	Effi.	Max.
MPD-45A	5V, 0.4~5.0A	±4%	60mV	76%	40W
	12V, 0.2~2.5A	±7%	120mV		
MPD-45B	5V, 0.4~5.0A	±4%	60mV	78%	45W
	24V, 0.2~1.8A	±7%	150mV		

#### Triple Output

Model No.	Output	Tol.	R&N	Effi.	Max.
MPT-45A	5V, 0.4~5.0A	±4%	60mV	73%	41W
	12V, 0.2~2.5A	±7%	120mV		
	-5V, 0.0~0.5A	±5%	60mV		
MPT-45B	5V, 0.4~5.0A	±4%	60mV	75%	43W
	12V, 0.2~2.5A	±7%	120mV		
	-12V, 0.0~0.5A	±5%	100mV		
MPT-45C	5V, 0.4~5.0A	±4%	60mV	75%	44W
	15V, 0.2~2.3A	±7%	120mV		
	-15V, 0.0~0.5A	±5%	100mV		

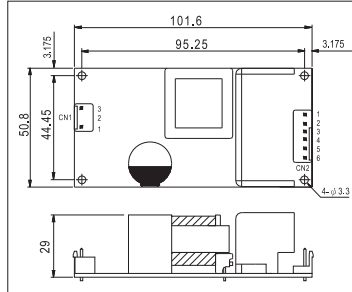
**Under Development** RSD-300 Series  
**300W DC-DC Railway Power Supply**

Please refer to page 74 for RSD-100/150/200 series

- 2:1 wide input range(±40%): 14.4~33.6VDC / 28.8~67.2VDC / 57.6~154VDC
- 4000VDC I/O isolation
- Design refer to EN50155 railway certificate
- Cooling by free air convection
- High efficiency up to 91%
- -40°C can power on
- Built-in constant current limiting circuit
- Protections: Short circuit / Overload / Over voltage / Over temperature / Input reverse polarity
- 1U low profile
- LED indicator for power on
- Output models: 12VDC / 24VDC / 48VDC
- Dimension(LxWxH): 216x 97x 39 mm
- 3 years warranty

### 60W 1~3 Output Medical Type

- 4"x2" miniature size
- Universal AC input / Full range
- Medical safety approved
- Protections: Short circuit / Overload / Over voltage
- No load power consumption <0.75W (single output models only)
- Low leakage current <200uA
- 110% peak load capability
- High power density 6.57W/in<sup>3</sup>
- Cooling by free air convection
- 3 years warranty
- Suitable for medical & IT applications



AC input voltage range .....90~264VAC; 127~370VDC  
 AC inrush current .....Cold start, 30A at 115VAC, 60A at 230VAC  
 DC adjustment range .....-5%~+10% rated output voltage (single output only)  
 Overload protection .....115%~150% hiccup mode, auto-recovery  
 Over voltage protection .... CH1: 110%~135% rated output voltage  
 Leakage current .....Less than 200uA at 264VAC  
 Setup, rise, hold up time .. 500ms, 30ms, 50ms at full load and 230VAC (RPS-60)  
 200ms, 15ms, 70ms at full load and 230VAC (RPD/T-60)  
 Withstand voltage ..... I/P - O/P: 4kVAC, I/P - FG: 1.5kVAC, 1 minute  
 Working temperature .....-20°C~+70°C (RPS-60, refer to output derating curve)  
 -20°C~+65°C (RPD/T-60, refer to output derating curve)  
 Safety standards .....UL60601-1, UL60950-1, TUV EN60601-1, EN60950-1 approved  
 EMC standards .....EN55011 / EN55022 class B, EN61000-3-2,-3,  
 EN61000-4-2,3,4,5,6,8,11, EN61000-6-2,  
 EN60601-1-2, EN61204-3 medical level  
 Connection ..... 3,4P / 3.96mm pitch, JST P/N: B3P / B4P-VH (RPS-60)  
 3,6P / 3.96mm pitch, JST P/N: B3P / B6P-VH (RPD/T-60)  
 Packing ..... 0.15kg ; 96pcs / 15.4kg / 0.89CUFT

#### Single Output

Model No.	Output	Tol.	R&N	Effi.
RPS-60-3.3	3.3V, 0~11A	±2%	80mV	74%
RPS-60-5	5V, 0~11A	±2%	80mV	79%
RPS-60-12	12V, 0~5.5A	±2%	120mV	83%
RPS-60-15	15V, 0~4.4A	±2%	150mV	84%
RPS-60-24	24V, 0~2.75A	±1%	240mV	85%
RPS-60-48	48V, 0~1.375A	±1%	300mV	86%

#### Dual Output

Model No.	Output	Tol.	R&N	Effi.	Max.
RPD-60A	5V, 0.5~5.5A	+3%,-2%	80mV	78%	54W
	12V, 0.1~2.2A	±6%	80mV		
RPD-60B	5V, 0.5~3.85A	+3%,-2%	80mV	82%	59W
	24V, 0.1~1.65A	+8%,-4%	100mV		

#### Triple Output

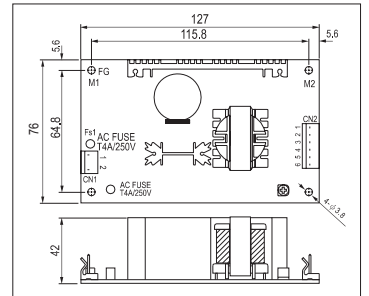
Model No.	Output	Tol.	R&N	Effi.	Max.
RPT-60A	5V, 0.5~4.4A	+3%,-2%	80mV	77%	51W
	12V, 0.1~2.2A	±6%	80mV		
	-5V, 0.1~0.55A	+9%,-8%	80mV		
RPT-60B	5V, 0.5~4.4A	+3%,-2%	80mV	78%	55W
	12V, 0.1~2.2A	±6%	80mV		
	-12V, 0.1~0.55A	+10%,-6%	100mV		
RPT-60C	5V, 0.5~4.4A	+3%,-2%	80mV	79%	55W
	15V, 0.1~0.65A	±6%	100mV		
	-15V, 0.1~0.55A	±8%	150mV		
RPT-60D	5V, 0.5~3.85A	+3%,-2%	80mV	79%	52W
	24V, 0.1~1.1A	±6%	150mV		
	12V, 0.1~0.55A	±8%	80mV		
RPT-6003	3.3V, 0.5~5.5A	+3%,-2%	80mV	75%	44W
	5V, 0.3~3.3A	±8%	80mV		
	12V, 0.1~0.77A	+10%,-6%	80mV		

### 65W 1~3 Output Medical Type

- Universal AC input / Full range
- Medical safety approved
- Protections: Short circuit / Overload / Over voltage
- Low leakage current ≤0.3mA
- Fixed switching frequency at 45kHz
- 100% full load burn-in test
- 3 years warranty



127x 76x 42 mm



AC input voltage range .... 90~264VAC; 127~370VDC  
 AC inrush current ..... Cold start, 17A at 115VAC, 35A at 230VAC  
 DC adjustment range ..... CH1: ±10% rated output voltage  
 Overload protection ..... 73%~105% hiccup mode, auto-recovery  
 Over voltage protection .... CH1: 115%~135% rated output voltage  
 Leakage current ..... Less than 0.3mA at 264VAC  
 Setup, rise, hold up time .. 800ms, 30ms, 50ms at full load and 230VAC  
 Withstand voltage ..... I/P-O/P: 4kVAC, I/P-FG: 1.5kVAC, 1 minute  
 Working temperature ..... -10°C~ +60°C (refer to output derating curve)  
 Safety standards ..... UL2601-1, TUV EN60601-1, IEC60601-1 approved  
 EMC standards ..... EN55011 class B, EN61000-4-2,3,4,5,6,8,11,  
 EN61000-3-2,3, EN60601-1-2  
 Connection ..... 2P, 6P / 3.96mm pitch, Molex: 5277-02, 5273-06  
 Packing ..... 0.23kg ; 54pcs / 14.6kg / 1.35CUFT (MPS-65)  
 0.25kg ; 54pcs / 16.0kg / 1.35CUFT (MPD-65)  
 0.27kg ; 54pcs / 16.8kg / 1.35CUFT (MPT-65)

#### Single Output

Model No.	Output	Tol.	R&N	Effi.
MPS-65-3.3	3.3V, 0~12A	±3%	80mV	66%
MPS-65-5	5V, 0~12A	±3%	100mV	74%
MPS-65-7.5	7.5V, 0~8.0A	±3%	100mV	76%
MPS-65-12	12V, 0~5.2A	±2%	100mV	77%
MPS-65-13.5	13.5V, 0~4.7A	±2%	100mV	78%
MPS-65-15	15V, 0~4.2A	±2%	100mV	79%
MPS-65-24	24V, 0~2.7A	±2%	100mV	80%
MPS-65-27	27V, 0~2.4A	±2%	100mV	80%
MPS-65-48	48V, 0~1.35A	±2%	100mV	80%

#### Dual Output

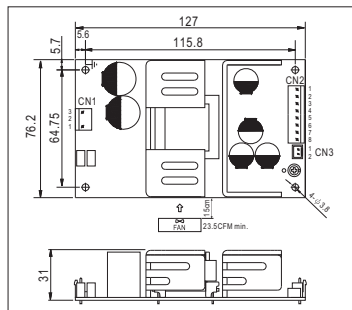
Model No.	Output	Tol.	R&N	Effi.	Max.
MPD-65A	5V, 0.4~7.0A	±4%	60mV	75%	61W
	12V, 0.2~3.2A	±7%	150mV		
MPD-65B	5V, 0.4~6.0A	±4%	60mV	78%	66W
	24V, 0.2~2.6A	±7%	150mV		

#### Triple Output

Model No.	Output	Tol.	R&N	Effi.	Max.
MPT-65A	5V, 0.4~7.0A	±4%	60mV	74%	60W
	12V, 0.2~3.2A	+10%,-7%	120mV		
	-5V, 0.0~0.7A	±5%	60mV		
MPT-65B	5V, 0.4~7.0A	±4%	60mV	74%	64W
	12V, 0.2~3.2A	+10%,-7%	160mV		
	-12V, 0.0~0.7A	±5%	100mV		
MPT-65C	5V, 0.4~7.0A	±4%	60mV	74%	65W
	15V, 0.2~2.6A	+10%,-7%	180mV		
	-15V, 0.0~0.7A	±5%	100mV		

### 75W 1~3 Output Medical Type

- Universal AC input / Full range
- Medical safety approved
- Protections: Short circuit / Overload / Over voltage
- No load power consumption <0.75W (single output models only)
- Low leakage current <200uA
- Fixed switching frequency at 65kHz
- Free air convection for 75W and 100W with 23.5CFM forced air
- 3 years warranty
- Suitable for medical & IT applications



AC input voltage range ..... 90~264VAC; 127~370VDC  
 AC inrush current ..... Cold start, 25A at 115VAC, 50A at 230VAC  
 DC adjustment range ..... CH1: -5%~+10% rated output voltage  
 Overload protection ..... 140%~180% hiccup mode, auto-recovery  
 Over voltage protection ..... CH1: 115%~135% rated output voltage  
 Leakage current ..... Less than 200uA at 264VAC  
 Setup, rise, hold up time .... 500ms, 30ms, 80ms at full load and 230VAC  
 Withstand voltage ..... I/P-O/P: 4kVAC, I/P-FG: 1.5kVAC, 1 minute  
 Working temperature ..... -20°C ~ +70°C (refer to output derating curve)  
 Safety standards ..... UL60601-1, TUV EN60601-1 approved  
 EMC standards ..... EN55011 / EN55022 class B, EN61000-3-2,-3, EN61000-4-2,3,4,5,6,8,11, EN61000-6-2, EN60601-1-2, EN61204-3 medical level  
 Connection ..... 3+8P / 3.96mm pitch, JST P/N: B3P / B8P-VH  
 Packing ..... 0.26kg ; 63pcs / 16.3kg / 1.35CUFT

#### ◆ Single Output

Model No.	Output	Tol.	R&N	Effi.
RPS-75-3.3	3.3V, 0~20A	±2%	80mV	73%
RPS-75-5	5V, 0~18.7A	±2%	80mV	78%
RPS-75-12	12V, 0~8.3A	±1%	120mV	82%
RPS-75-15	15V, 0~6.7A	±1%	150mV	83%
RPS-75-24	24V, 0~4.2A	±1%	240mV	85%
RPS-75-36	36V, 0~2.8A	±1%	300mV	86%
RPS-75-48	48V, 0~2.1A	±1%	300mV	86%

#### ◆ Dual Output

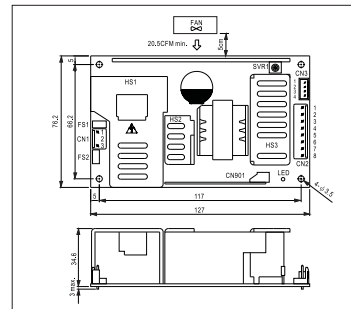
Model No.	Output	Tol.	R&N	Effi.	Max.
RPD-75A	5V, 1.0~9.5A	±2%	80mV	77%	96W
	12V, 0.3~4.0A	±6%	120mV		
RPD-75B	5V, 1.0~6.8A	±2%	80mV	79%	99W
	24V, 0.2~2.7A	±6%	200mV		

#### ◆ Triple Output

Model No.	Output	Tol.	R&N	Effi.	Max.
RPT-75A	5V, 0.6~8.0A	±2%	80mV	76%	93W
	12V, 0.2~4.0A	±6%	120mV		
	-5V, 0.1~1.0A	±5%	120mV		
RPT-75B	5V, 0.6~8.0A	±2%	80mV	77%	100W
	12V, 0.2~4.0A	±6%	120mV		
	-12V, 0.1~1.0A	±5%	120mV		
RPT-75C	5V, 0.6~8.0A	±2%	80mV	77%	100W
	15V, 0.1~3.0A	±8%	150mV		
	-15V, 0.1~1.0A	±5%	150mV		
RPT-75D	5V, 0.6~7.0A	±2%	80mV	79%	95W
	24V, 0.1~2.0A	±8%	200mV		
	12V, 0.1~1.0A	±8%	120mV		
RPT-7503	3.3V, 0.7~7.0A	±4%	80mV	74%	81W
	5V, 0.0~8.0A	±6%	120mV		
	12V, 0.0~1.5A	+10%, -6%	120mV		

### 160W Medical Type with PFC Function

- Universal AC input / Full range
- Built-in active PFC function
- Protections: Short circuit / Overload / Over voltage / Over temperature
- Free air convection for 110W and 160W with 20.5 CFM forced air (RPS-160); Free air convection for 100W and 150W with 20.5 CFM forced air (RPD / T-160)
- 5"x3" compact size
- With power good and fail signal output
- Built-in remote sense function for 5~15V (RPS-160)
- Standby 5V@0.8A (G model)
- No load power consumption under 0.75W by PS-ON control (G model)
- 3 years warranty



AC input voltage range ..... 90~264VAC; 127~370VDC  
 AC inrush current ..... Cold start, 35A at 115VAC, 70A at 230VAC  
 DC adjustment range ..... RPS-160: ±10% rated output voltage  
 RPD/T-160: 0~+10% for CH1  
 Overload protection ..... 105%~135% hiccup mode, auto-recovery  
 Over voltage protection ..... CH1: 115%~135% shut off, re-power on to recovery  
 Leakage current ..... Less than 300uA at 240VAC  
 Setup, rise, hold up time ..... 1800ms, 30ms, 16ms at full load and 230VAC  
 Withstand voltage ..... I/P - O/P: 4kVAC, I/P - FG: 1.5kVAC, 1 minute  
 Working temperature ..... -20°C~70°C (refer to output derating curve)  
 Safety standards ..... UL60601-1, TUV EN60601-1 approved  
 EMC standards ..... EN55011/EN55022 class B, EN61000-4-2,3,4,5,6,8,11, EN61000-3-2,3, EN60601-1-2, EN61000-6-2 (RPS(G)-160)  
 Connection ..... 3+8+2(4)P/3.96mm pitch JST B3P / B8P-VH, B2B (B4B)-XH

#### ◆ Single Output

Model No.	Output	Tol.	R&N	Effi.
RPS□-160-5	5V, 0~30.0A	±4%	100mV	85%
RPS□-160-12	12V, 0~12.9A	±3%	100mV	87%
RPS□-160-15	15V, 0~10.3A	±3%	120mV	87%
RPS□-160-24	24V, 0~6.5A	±2%	150mV	87%
RPS□-160-48	48V, 0~3.25A	±2%	250mV	88%

#### ◆ Dual Output

Model No.	Output	Tol.	R&N	Effi.	Max.
RPD□-160B	5V, 1.0~12A	±2.5%	80mV	84%	150W
	24V, 0.2~3.6A	±6%	200mV		

#### ◆ Triple Output

Model No.	Output	Tol.	R&N	Effi.	Max.
RPT□-160A	5V, 0.6~14A	±2%	100mV	84%	145W
	12V, 0.2~5.5A	±5%	120mV		
	-5V, 0.1~1.0A	-5%, +7%	120mV		
RPT□-160B	5V, 0.6~14A	±2%	100mV	84%	146W
	12V, 0.2~5.0A	±5%	120mV		
	-12V, 0.1~1.0A	-4%, +5%	120mV		
RPT□-160C	5V, 0.6~14A	±2%	100mV	83%	143W
	15V, 0.1~3.6A	±4%	150mV		
	-15V, 0.1~1.0A	±8%	150mV		
RPT□-160D	5V, 0.3~11A	±2%	100mV	83%	148W
	12V, 0.2~5.0A	±5%	120mV		
	24V, 0.15~1.2A	-5%, +7%	200mV		

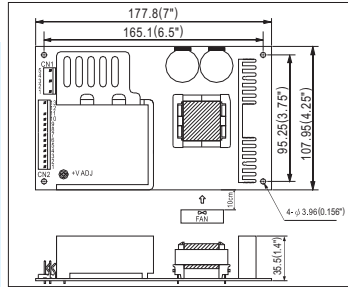
□ = blank, G; blank: basic function, G: with 5Vsb/0.8A & no load power consumption < 0.75W

### 120 & 200W 1~4 Output Medical Type

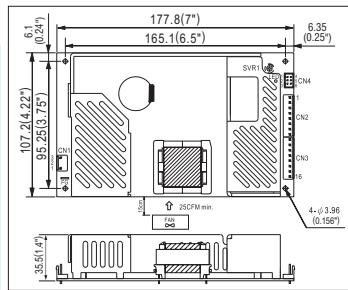
- Universal AC input / Full range
- PF > 0.95@230VAC (200W)
- Protections: Short circuit / Overload / Over voltage / OTP (200W)
- Leakage current ≤ 180uA
- Built-in remote sense and remote ON/OFF control (200W)
- PG / PF signal output (optional for 120W)
- 80W / 140W free air convection, 120W / 200W with 25CFM forced air
- 100% full load burn-in test
- 3 years warranty
- Suitable for medical & IT applications
- MPS/D/T/Q-120 to be discontinued. Using RPS/D/T-160 or MPS/D/T/Q-200 as replacement for any new applications is highly recommend.



**120W**  
177.8x 108x 35.5mm



**200W**  
177.8x 107.2x 35.5 mm



- AC input voltage range ..... 90~264VAC; 127~370VDC
- AC inrush current ..... Cold start, 35A at 115VAC, 60A at 230VAC
- DC adjustment range ..... CH1: -5~+10% rated output voltage
- Overload protection ..... 110~160% hiccup mode, auto-recovery
- Over voltage protection ..... CH1: 115%~140% rated output voltage
- Leakage current ..... Less than 180uA at 264VAC
- Setup, rise, hold up time ..... 1000ms, 20ms, 16ms at full load and 230VAC
- Withstand voltage ..... I/P - O/P: 4kVAC, I/P - FG: 1.5kVAC, 1 minute
- Working temperature ..... -20°C~70°C (refer to output derating curve)
- Safety standards ..... UL60601-1, TUV EN60601-1, IEC60601-1 approved; Design refer to UL60950-1, TUV EN60950-1
- EMC standards ..... EN55011/EN55022 class B, EN61000-4-2,3,4,5,6,8,11, EN61000-3-2,3, EN60601-1-2, EN61000-6-2
- Connection ..... 5P, 13P/ 3.96mm pitch, Molex 5273-05, 5273-13 (120W)  
3P, 20P / 3.96mm pitch, JST B3P/VH, Molex 5566-20 (MPS-200)  
3P, 8Px2 / 3.96mm pitch, JSTB3P / B8Px2-VH (MPD/T/Q-200)
- Packing ..... 0.55kg ; 24pcs / 14.5kg / 1.04CUFT (120W)  
0.66kg ; 24pcs / 16.8kg / 1.04CUFT (200W)

#### Single Output

Model No.	Output	Tol.	R&N	Effi.
MPS-120-3.3	3.3V, 0~24A	±3%	80mV	68%
MPS-120-5	5V, 0~22A	±3%	80mV	73%
MPS-120-12	12V, 0~10A	±2%	100mV	77%
MPS-120-15	15V, 0~8.0A	±2%	100mV	79%
MPS-120-24	24V, 0~5.0A	±2%	120mV	81%
MPS-120-48	48V, 0~2.5A	±2%	120mV	82%

Model No.	Output	Tol.	R&N	Effi.
MPS-200-3.3	3.3V, 0~40A	±2%	80mV	77%
MPS-200-5	5V, 0~40A	±2%	80mV	81%
MPS-200-12	12V, 0~16.7A	±2%	100mV	84%
MPS-200-15	15V, 0~13.4A	±2%	100mV	85%
MPS-200-24	24V, 0~8.4A	±1%	150mV	86%
MPS-200-48	48V, 0~4.2A	±1%	200mV	87%

#### Dual Output

Model No.	Output	Tol.	R&N	Effi.	Max.
MPD-120A	5V, 2.0~12A	±2%	80mV	75%	110W
	12V, 0.5~6.0A	±7%	120mV		
MPD-120B	5V, 2.0~12A	±2%	80mV	76%	120W
	24V, 0.3~3.2A	±8%	250mV		

#### Dual Output

Model No.	Output	Tol.	R&N	Effi.	Max.
MPD-200A	5V, 4.0~24A	±2%	80mV	82%	196W
	12V, 0.8~9.6A	+8%, -5%	120mV		
MPD-200B	5V, 4.0~24A	±2%	80mV	83%	196W
	24V, 0.4~4.8A	±6.5%	180mV		

#### Triple Output

Model No.	Output	Tol.	R&N	Effi.	Max.
MPT-120A	5V, 2.0~12A	±2%	80mV	72%	111W
	12V, 0.4~5.8A	+8%, -6%	120mV		
MPT-120B	5V, 2.0~12A	±2%	80mV	73%	110W
	12V, 0.4~5.3A	±6%	120mV		
MPT-120C	-12V, 0.0~1.0A	±5%	80mV		
	5V, 2.0~11A	±2%	80mV	72%	119W
MPT-120D	15V, 0.4~4.4A	+6%, -7%	150mV		
	-15V, 0.0~1.0A	±5%	80mV		
MPT-200A	5V, 2.0~12A	±2%	80mV	74%	110W
	24V, 0.4~2.6A	+8%, -6%	300mV		
MPT-200B	5V, 2.0~12A	±2%	80mV	80%	200W
	12V, 0.0~1.0A	±5%	120mV		

Model No.	Output	Tol.	R&N	Effi.	Max.
MPT-200B	5V, 4.0~24A	±2%	80mV	80%	196W
	12V, 0.6~7.2A	±8%	120mV		
MPT-200C	-12V, 0.0~2.4A	±5%	80mV		
	5V, 4.0~24A	±2%	80mV	80%	201W
MPT-200D	15V, 0.5~5.6A	±8%	150mV		
	-15V, 0.0~2.4A	±5%	80mV		
MPT-200E	5V, 4.0~24A	±2%	80mV	81%	196W
	24V, 0.3~3.6A	±8%	180mV		
MPT-200F	5V, 4.0~24A	±2%	80mV	81%	196W
	12V, 0.0~2.4A	±5%	80mV		

#### Quad Output

Model No.	Output	Tol.	R&N	Effi.	Max.
MPQ-120B	5V, 2.0~11A	±2%	80mV	71%	111W
	12V, 0.5~5.0A	±6%	120mV		
MPQ-120C	-5V, 0.0~1.0A	±5%	80mV		
	5V, 2.0~11A	±2%	80mV	71%	110W
MPQ-120D	15V, 0.5~3.8A	+6%, -7%	150mV		
	-15V, 0.0~1.0A	±5%	80mV		
MPQ-120E	5V, 2.0~11A	±2%	80mV	73%	109W
	12V, 0.2~1.1A	+8%, -6%	150mV		
MPQ-120F	24V, 0.3~2.3A	±8%	300mV		
	-12V, 0.0~1.0A	±5%	80mV		
MPQ-200B	5V, 2.0~11A	±2%	80mV	73%	109W
	12V, 0.5~3.3A	±6%	120mV		
MPQ-200C	15V, 0.0~1.0A	±8%	80mV		
	24V, 0.0~1.0A	±5%	80mV		
MPQ-200D	5V, 3.0~18A	±2%	80mV	78%	193W
	12V, 0.7~8.4A	±8%	120mV		
MPQ-200E	-5V, 0.0~2.4A	±5%	80mV		
	-12V, 0.0~2.4A	±5%	80mV		
MPQ-200F	5V, 3.0~18A	±2%	80mV	78%	190W
	15V, 0.5~6.0A	±6%	150mV		
MPQ-200G	-5V, 0.0~2.4A	±5%	80mV		
	-15V, 0.0~2.4A	±5%	80mV		
MPQ-200H	5V, 3.0~18A	±2%	80mV	79%	195W
	24V, 0.3~3.6A	±8%	180mV		
MPQ-200I	12V, 0.0~2.4A	±5%	80mV		
	-12V, 0.0~2.4A	±5%	80mV		
MPQ-200J	5V, 3.0~18A	±2%	80mV	81%	200W
	24V, 0.3~3.3A	±8%	180mV		
MPQ-200K	15V, 0.0~2.4A	±5%	80mV		
	-15V, 0.0~2.4A	±5%	80mV		

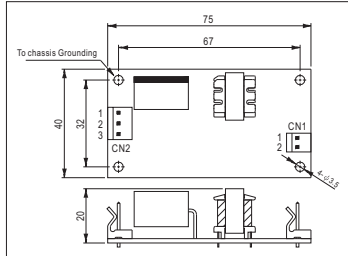
### 5W Single Output Switching Power Supply

- Universal AC input / Full range
- Protections: Short circuit / Overload / Over voltage / Over temp.
- Cooling by free air convection
- Fixed switching frequency at 67kHz
- Low leakage current <0.5mA
- 100% full load burn-in test
- Low cost, high reliability
- 2 years warranty

CBCE



75x 40x 20 mm



AC input voltage range ..... 85~264VAC; 120~370VDC  
 AC inrush current ..... Cold start, 30A at 230VAC  
 Overload protection ..... >105% hiccup mode, auto-recovery  
 Over voltage protection ..... 115%~135% rated output voltage  
 Over temp. protection ..... U1, Tj:140°C, hiccup mode, auto-recovery  
 Leakage current ..... Less than 0.5mA at 240VAC  
 Withstand voltage ..... I/P-O/P: 3kVAC, I/P-FG:1.5kVAC, 1minute  
 Working temperature ..... -10~60°C (refer to output derating curve)  
 Safety standards ..... UL60950-1 CB approval by TUV  
 EMC standards ..... EN55022 class B, EN61000-3-2,3, EN61000-4-2,3,4,5,6,8,11  
 Connection ..... 3P, 2P/ 3.96mm pitch, Molex 5285-03,5273-02  
 Packing ..... 0.05kg ; 120pcs / 6.25kg / 1.0CUFT

Model No.	Output	Tol.	R&N	Effi.
PS-05-5	5V, 0~1.0A	±2%	100mV	70%
PS-05-12	12V, 0~0.45A	±2%	120mV	75%
PS-05-15	15V, 0~0.35A	±2%	120mV	75%
PS-05-24	24V, 0~0.22A	±2%	200mV	76%
PS-05-48	48V, 0~0.11A	±1%	200mV	76%

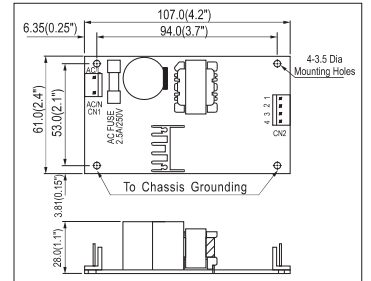
### 25W 1~2 Output Switching Power Supply

- Universal AC input / Full range
- Protections: Short circuit / Overload / Over voltage / Over temp.
- Cooling by free air convection
- Fixed switching frequency at 100kHz
- Low leakage current <0.5mA
- 100% full load burn-in test
- Low cost, high reliability
- 2 years warranty

UL us CBCE



107x 61x 28 mm



AC input voltage range ..... 85~264VAC; 120~370VDC  
 AC inrush current ..... Cold start, 36A at 230VAC  
 Overload protection ..... >105% hiccup mode, auto-recovery  
 Over voltage protection ..... 115%~135% rated output voltage  
 Over temp. protection ..... U1, Tj:135°C, power shutdown  
 Leakage current ..... Less than 0.5mA at 240VAC  
 Withstand voltage ..... I/P-O/P: 3kVAC, I/P-FG:1.5kVAC, 1minute  
 Working temperature ..... -10~60°C (refer to output derating curve)  
 Safety standards ..... UL60950-1, TUV EN60950-1 approved  
 EMC standards ..... EN55022 class B, EN61000-3-2,3, EN61000-4-2,3,4,5  
 Connection ..... 3P, 4P/ 3.96mm pitch, Molex P/N: 41791-03, 04  
 Packing ..... 0.14kg ; 96pcs / 15.0kg / 1.30CUFT(PS-25)  
 0.15kg ; 96pcs / 15.9kg / 1.30CUFT(PD-25)  
 0.13kg ; 96pcs / 15.4kg / 1.30CUFT(PD-2503)

#### • Single Output

Model No.	Output	Tol.	R&N	Effi.
PS-25-3.3	3.3V, 0~5.0A	±3%	80mV	66%
PS-25-5	5V, 0~5.0A	±2%	80mV	74%
PS-25-7.5	7.5V, 0~3.3A	±2%	80mV	76%
PS-25-12	12V, 0~2.1A	±2%	100mV	78%
PS-25-13.5	13.5V, 0~1.9A	±2%	100mV	78%
PS-25-15	15V, 0~1.7A	±2%	100mV	78%
PS-25-24	24V, 0~1.0A	±2%	240mV	79%
PS-25-27	27V, 0~0.9A	±2%	240mV	79%
PS-25-48	48V, 0~0.5A	±2%	350mV	79%

#### • Dual Output

Model No.	Output	Tol.	R&N	Effi.	Max.
PD-25A	5V, 0.2~2.5A	±2%	50mV	71%	25W
	12V, 0.1~1.5A	±6%	150mV		
PD-25B	5V, 0.2~2.0A	±2%	50mV	77%	25W
	24V, 0.1~1.0A	±6%	200mV		
PD-2505	5V, 0.1~3.0A	±6%	50mV	73%	25W
	-5V, 0.1~2.5A	±6%	50mV		
PD-2512	12V, 0.1~1.2A	±4%	50mV	74%	24W
	-12V, 0.1~1.2A	±4%	50mV		
PD-2515	15V, 0.1~1.0A	±4%	50mV	75%	24W
	-15V, 0.1~1.0A	±4%	50mV		
PD-2503	3.3V, 0.2~5.0A	±2%	50mV	72%	25W
	5V, 0.1~4.0A	+5%,-8%	50mV		

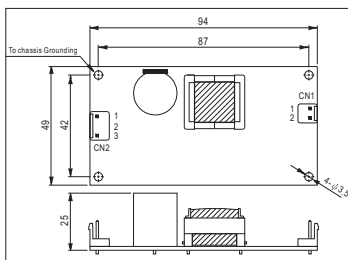
### 15W Single Output Switching Power Supply

- Universal AC input / Full range
- Protections: Short circuit / Overload / Over voltage / Over temp.
- Cooling by free air convection
- Fixed switching frequency at 67kHz
- Low leakage current <0.5mA
- 100% full load burn-in test
- Low cost, high reliability
- 2 years warranty

CBCE



94x 49x 25 mm



AC input voltage range ..... 85~264VAC; 120~370VDC  
 AC inrush current ..... Cold start, 40A at 230VAC  
 Overload protection ..... >105% hiccup mode, auto-recovery  
 Over voltage protection ..... 115%~135% rated output voltage  
 Over temp. protection ..... U1, Tj:140°C, hiccup mode, auto-recovery  
 Leakage current ..... Less than 0.5mA at 240VAC  
 Withstand voltage ..... I/P-O/P: 3kVAC, I/P-FG:1.5kVAC, 1minute  
 Working temperature ..... -10~60°C (refer to output derating curve)  
 Safety standards ..... EN60950-1 CB approval by TUV  
 EMC standards ..... EN55022 class B, EN61000-3-2,3, EN61000-4-2,3,4,5,6,8,11  
 Connection ..... 3P, 2P/ 3.96mm pitch, JST B3P/B2P-VH  
 Packing ..... 0.083kg ; 120pcs / 10.96kg

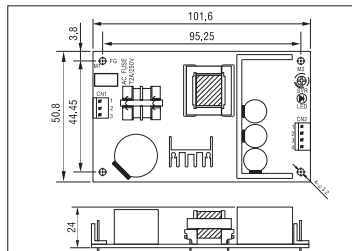
Model No.	Output	Tol.	R&N	Effi.
PS-15-5	5V, 0~2.80A	±2%	100mV	74%
PS-15-12	12V, 0~1.25A	±2%	120mV	77%
PS-15-15	15V, 0~1.00A	±2%	120mV	78%
PS-15-24	24V, 0~0.625A	±2%	150mV	79%
PS-15-48	48V, 0~0.313A	±2%	200mV	77%

### 35W Single Output Switching Power Supply

- 4"x2"x 0.95" compact size
- Universal AC input / Full range
- Cooling by free air convection
- Protections: Short circuit / Overload / Over voltage
- 2 years warranty



101.6x 50.8x 24 mm



AC input voltage range ..... 90~264VAC; 127~370VDC  
 DC adjustment range .....  $\pm 10\%$  rated output voltage  
 Overload protection ..... 105%~160% hiccup mode, auto-recovery  
 Over voltage protection ..... 115%~150% rated output voltage  
 Withstand voltage ..... I/P-O/P: 3kVAC, I/P-FG:1.5kVAC, 1minute  
 Working temperature ..... -20°C~+65°C (refer to output derating curve)  
 Safety standards ..... UL60950-1, TUV EN60950-1 approved  
 EMC standards ..... EN55022 class B, EN61000-3-2,3, EN61000-4-2,3,4,5,6,8,11  
 Connection ..... 3+4P / 3.96mm pitch, JST B3P/B4P-VH  
 Packing ..... 0.124kg; 96pcs / 12.9kg / 0.8CUFT

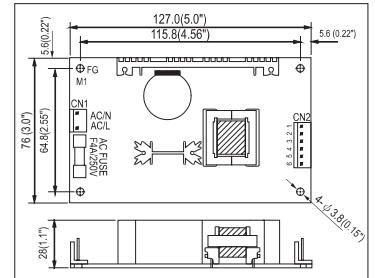
Model No.	Output	Tol.	R&N	Effi.
PS-35-3.3	3.3V, 0~6.0A	$\pm 2\%$	80mV	70%
PS-35-5	5V, 0~6.0A	$\pm 2\%$	100mV	78%
PS-35-7.5	7.5V, 0~4.7A	$\pm 2\%$	100mV	80%
PS-35-12	12V, 0~3.0A	$\pm 1\%$	120mV	81%
PS-35-13.5	13.5V, 0~2.6A	$\pm 1\%$	120mV	81%
PS-35-15	15V, 0~2.4A	$\pm 1\%$	150mV	81%
PS-35-24	24V, 0~1.5A	$\pm 1\%$	200mV	85%
PS-35-48	48V, 0~0.75A	$\pm 1\%$	240mV	84%

### 45W 1~3 Output Switching Power Supply

- Universal AC input / Full range
- Protections: Short circuit / Overload / Over voltage
- Cooling by free air convection
- Fixed switching frequency at 65kHz
- Low leakage current <0.5mA
- 100% full load burn-in test
- Low cost, high reliability
- 2 years warranty



127x 76x 28 mm



AC input voltage range ...90~264VAC; 127~370VDC  
 AC inrush current .....Cold start, 15A at 115VAC, 30A at 230VAC  
 DC adjustment range .....CH1: -5%~+10% rated output voltage  
 Overload protection .....53~75W hiccup mode, auto-recovery  
 Over voltage protection ..CH1: 115%~135% rated output voltage  
 Leakage current .....Less than 0.5mA at 240VAC  
 Withstand voltage ..... I/P-O/P: 3kVAC, I/P-FG:1.5kVAC, 1minute  
 Working temperature ..... -10~+60°C (refer to output derating curve)  
 Safety standards ..... UL60950-1, TUV EN60950-1  
 EMC standards ..... EN55022 class B, EN61000-3-2,3, EN61000-4-2,3,4,5,6,8,11  
 Connection ..... 2P, 6P/ 3.96mm pitch, Molex 5277-02 / 5273-06  
 Packing ..... 0.19kg ; 72pcs / 15.6kg / 1.35CUFT (PS-45)  
 0.20kg ; 72pcs / 16.0kg / 1.35CUFT (PD-45)  
 0.21kg ; 72pcs / 17.0kg / 1.35CUFT (PT-45)

#### Single Output

Model No.	Output	Tol.	R&N	Effi.
PS-45-3.3	3.3V, 0~8.0A	$\pm 3\%$	80mV	69%
PS-45-5	5V, 0~8.0A	$\pm 3\%$	100mV	74%
PS-45-7.5	7.5V, 0~5.4A	$\pm 3\%$	100mV	75%
PS-45-12	12V, 0~3.7A	$\pm 2\%$	100mV	76%
PS-45-13.5	13.5V, 0~3.3A	$\pm 2\%$	100mV	77%
PS-45-15	15V, 0~3.0A	$\pm 2\%$	100mV	77%
PS-45-24	24V, 0~1.9A	$\pm 2\%$	100mV	78%
PS-45-27	27V, 0~1.7A	$\pm 2\%$	100mV	78%
PS-45-48	48V, 0~1.0A	$\pm 2\%$	100mV	78%

#### Dual Output

Model No.	Output	Tol.	R&N	Effi.	Max.
PD-45A	5V, 0.4~5.0A	$\pm 4\%$	50mV	77%	40W
	12V, 0.2~2.5A	$\pm 7\%$	120mV		
PD-45B	5V, 0.4~5.0A	$\pm 4\%$	50mV	78%	45W
	24V, 0.2~1.8A	$\pm 7\%$	120mV		

#### Triple Output

Model No.	Output	Tol.	R&N	Effi.	Max.
PT-45A	5V, 0.4~5.0A	$\pm 4\%$	50mV	75%	41W
	12V, 0.2~2.5A	$\pm 7\%$	120mV		
	-5V, 0.0~0.5A	$\pm 5\%$	50mV		
PT-45B	5V, 0.4~5.0A	$\pm 4\%$	50mV	75%	43W
	12V, 0.2~2.5A	$\pm 7\%$	120mV		
	-12V, 0.0~0.5A	$\pm 5\%$	100mV		
PT-45C	5V, 0.4~5.0A	$\pm 4\%$	50mV	75%	44W
	15V, 0.2~2.3A	$\pm 7\%$	120mV		
	-15V, 0.0~0.5A	$\pm 5\%$	100mV		

## EPS-25/35 Series

25W/35W AC/DC Single Output  
Green Open Frame Type

Under Development

- 3"x2" miniature size
- No load power consumption <0.3W
- Universal AC input/ Full range
- High efficiency up to 90%
- Protections: Short circuit / Overload / Over voltage
- Cooling by free air convection
- LED indicator for power on
- DC adjustment range:  $\pm 10\%$  rated output voltage
- Output models:  
3.3V / 5V / 7.5V / 12V / 15V / 24V / 36V / 48V
- Dimension(LxWxH): 76.2x 50.8x 24mm
- 3 years warranty

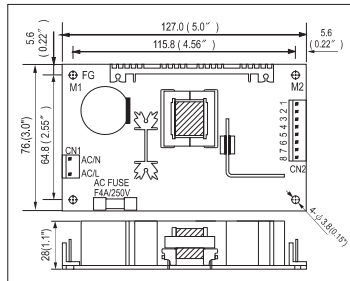
### 45 & 65W Triple Output with 3.3V Channel

- Universal AC input / Full range
- Total power for CH1+2: 35W (PT-45)
- Total power for CH1+2: 54W (PT-65)
- Protections: Short circuit / Overload / Over voltage
- Fixed switching frequency at 65kHz
- Cooling by free air convection
- 100% full load burn-in test
- 2 years warranty

UL US CB CE



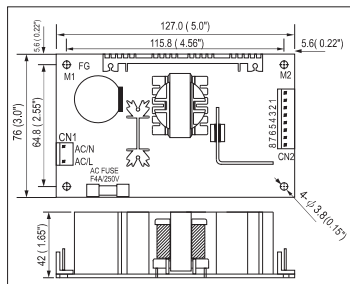
**PT-4503**  
127x 76x 28 mm



UL US CB CE



**PT-6503**  
127x 76x 42 mm



AC input voltage range ..... 90~264VAC; 127~370VDC  
 AC inrush current ..... Cold start, 20A at 115VAC, 40A at 230VAC  
 DC adjustment range ..... 3.3V:  $\pm 10\%$  rated output voltage  
 Overload protection ..... 120%~160% hiccup mode, auto-recovery  
 Over voltage protection ..... 5V: 115%~135% rated output voltage  
 Leakage current ..... Less than 1.0mA at 240VAC  
 Setup, rise, hold up time ..... 800ms, 50ms, 60ms at full load and 230VAC  
 Withstand voltage ..... I/P-O/P: 3kVAC, I/P-FG: 1.5kVAC, 1minute  
 Working temperature ..... -10~+60°C (refer to output derating curve)  
 Safety standards ..... UL60950-1, TUV EN60950-1 approved  
 EMC standards ..... EN55022 class B, EN61000-3-2,3, EN61000-4-2,3,4,5,6,11  
 Connection ..... 2P, 8P/ 3.96mm pitch, Molex: 5277-02, 5273-08  
 Packing ..... 0.23kg ; 72pcs / 17.6kg / 1.35CUFT(PT-4503)  
 0.28kg ; 54pcs / 16.2kg / 1.35CUFT(PT-6503)

#### ✦ Triple Output (45W)

Model No.	Output	Tol.	R&N	Effi.	Max.
PT-4503	3.3V, 0.0~5.0A	$\pm 2\%$	50mV	72%	45W
	5V, 0.2~7.0A	+4%, -2%	50mV		
	12V, 0.0~1.2A	$\pm 8\%$	100mV		

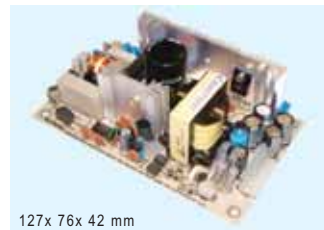
#### ✦ Triple Output (65W)

Model No.	Output	Tol.	R&N	Effi.	Max.
PT-6503	3.3V, 0.0~7.0A	$\pm 3\%$	50mV	72%	62W
	5V, 0.2~10A	+4%, -2%	50mV		
	12V, 0.0~1.2A	$\pm 8\%$	100mV		

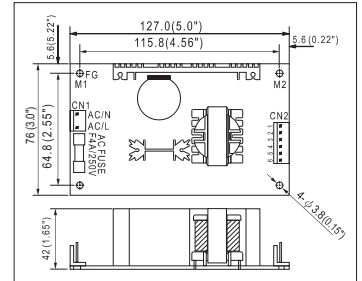
### 65W 1~3 Output Switching Power Supply

- Universal AC input / Full range
- Protections: Short circuit / Overload / Over voltage
- Cooling by free air convection
- Fixed switching frequency at 65kHz
- Low leakage current <0.5mA
- 100% full load burn-in test
- Low cost, high reliability
- 2 years warranty

UL US CB CE



127x 76x 42 mm



AC input voltage range ..... 90~264VAC; 127~370VDC  
 AC inrush current ..... Cold start, 20A at 115VAC, 40A at 230VAC  
 DC adjustment range ..... CH1: -5%~+10% rated output voltage  
 Overload protection ..... 73~105W hiccup mode, auto-recovery  
 Over voltage protection ..... CH1: 115%~135% rated output voltage  
 Leakage current ..... Less than 0.5mA at 240VAC  
 Setup, rise, hold up time ..... 800ms, 20ms, 60ms at full load and 230VAC  
 Withstand voltage ..... I/P-O/P: 3kVAC, I/P-FG: 1.5kVAC, 1minute  
 Working temperature ..... -10~+60°C (refer to output derating curve)  
 Safety standards ..... UL60950-1, TUV EN60950-1 approved  
 EMC standards ..... EN55022 class B, EN61000-3-2,3, EN61000-4-2,3,4,5,6,8,11  
 Connection ..... 2P, 6P/ 3.96mm pitch, Molex P/N: 5277-02, 5273-06  
 Packing ..... 0.21kg ; 54pcs / 14.2kg / 1.35CUFT(PS-65)  
 0.24kg ; 54pcs / 15.0kg / 1.35CUFT(PD-65)  
 0.25kg ; 54pcs / 15.9kg / 1.35CUFT(PT-65)

#### ✦ Single Output

Model No.	Output	Tol.	R&N	Effi.
PS-65-3.3	3.3V, 0~12A	$\pm 3\%$	80mV	69%
PS-65-5	5V, 0~12A	$\pm 3\%$	100mV	76%
PS-65-7.5	7.5V, 0~8.0A	$\pm 3\%$	100mV	79%
PS-65-12	12V, 0~5.2A	$\pm 2\%$	100mV	79%
PS-65-13.5	13.5V, 0~4.7A	$\pm 2\%$	100mV	79%
PS-65-15	15V, 0~4.2A	$\pm 2\%$	100mV	79%
PS-65-24	24V, 0~2.7A	$\pm 2\%$	100mV	80%
PS-65-27	27V, 0~2.4A	$\pm 2\%$	100mV	80%
PS-65-48	48V, 0~1.35A	$\pm 2\%$	100mV	80%

#### ✦ Dual Output

Model No.	Output	Tol.	R&N	Effi.	Max.
PD-65A	5V, 0.4~7.0A	$\pm 4\%$	50mV	78%	61W
	12V, 0.2~3.2A	$\pm 7\%$	120mV		
PD-65B	5V, 0.4~6.0A	$\pm 4\%$	50mV	81%	66W
	24V, 0.2~2.6A	$\pm 7\%$	150mV		

#### ✦ Triple Output

Model No.	Output	Tol.	R&N	Effi.	Max.
PT-65A	5V, 0.4~7.0A	$\pm 4\%$	50mV	76%	60W
	12V, 0.2~3.2A	$\pm 7\%$	120mV		
	-5V, 0.0~0.7A	$\pm 5\%$	50mV		
PT-65B	5V, 0.4~7.0A	$\pm 4\%$	50mV	77%	64W
	12V, 0.2~3.2A	$\pm 7\%$	120mV		
	-12V, 0.0~0.7A	$\pm 5\%$	100mV		
PT-65C	5V, 0.4~7.0A	$\pm 4\%$	50mV	77%	65W
	15V, 0.2~2.6A	$\pm 7\%$	120mV		
	-15V, 0.0~0.7A	$\pm 5\%$	100mV		
PT-65D	5V, 0.5~5.0A	$\pm 4\%$	50mV	79%	68W
	12V, 0.2~4.0A	$\pm 6\%$	100mV		
	24V, 0.2~1.3A	$\pm 6\%$	200mV		



We are a TQM (Total Quality Management) company and ISO-9001 certified since 1994.



We provide specification, drawing, test report and more information, please visit our website —

<http://www.meanwell.com>



To satisfy our customers is our goal —

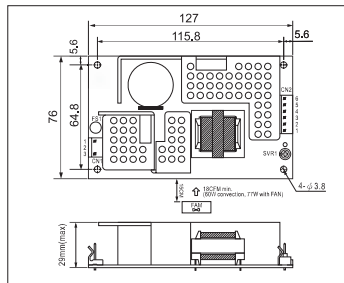
- High Quality
- Low Cost
- Prompt Delivery
- Best Service

### 65W 2~3 Output Switching Power Supply

- Universal AC input / Full range
- Protections: Short circuit / Overload / Over voltage
- Cooling by free air convection
- 12V or 24V high peak current capability
- 60~65W free air convection, 77~80W with 18 CFM forced air
- Low leakage current < 1mA
- 100% full load burn-in test
- **Optional case available (RPD/RPT-65x-C)**
- 2 years warranty capability



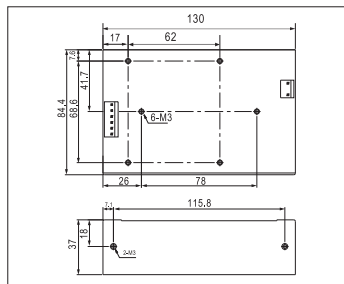
127x 76x 28 mm



#### ▶ With Optional Case



130x 85x 37 mm



AC input voltage range ..... 90~264VAC; 127~370VDC  
 AC inrush current ..... Cold start, 25A at 115VAC, 50A at 230VAC  
 DC adjustment range ..... CH1: 12V: 11.4~12.8V, 24V: 22.8~26.4V  
 Overload protection ..... 90~125W hiccup mode, auto-recovery  
 Over voltage protection ..... CH1: 115%~135% rated output voltage  
 Leakage current ..... Less than 1mA at 240VAC  
 Setup, rise, hold up time ..... 800ms, 20ms, 20ms at full load and 230VAC  
 Withstand voltage ..... I/P-O/P: 3kVAC, I/P-FG: 1.5kVAC, 1minute  
 Working temperature ..... -20~60°C (refer to output derating curve)  
 Safety standards ..... UL60950-1, TUV EN60950-1 approved  
 EMC standards ..... EN55022 class B, EN61000-3-2,3, EN61000-4-2,3,4,5,6,8,11  
 Connection ..... 3P, 6P/ 3.96mm pitch, Molex P/N: 5273-03, 5273-06  
 Packing ..... 0.24kg ; 63pcs / 16.0kg / 1.35CUFT

#### ❖ Dual Output

Model No.	Output	Tol.	R&N	Effi.	Max.
RPD-65C □	12V, 0~5.8A	±2%	120mV	79%	60W
	5V, 0~1.5A	±5%	50mV		
RPD-65D □	24V, 0~2.9A	±2%	150mV	81%	60W
	5V, 0~1.5A	±5%	50mV		

#### ❖ Triple Output

Model No.	Output	Tol.	R&N	Effi.	Max.
RPT-65E □	12V, 0.18~5.8A	±2%	120mV	77%	63W
	5V, 0.0~1.5A	±5%	100mV		
	-5V, 0.0~0.7A	±5%	120mV		
RPT-65F □	12V, 0.18~5.8A	±2%	150mV	77%	66W
	5V, 0.0~1.5A	±5%	100mV		
	-12V, 0.0~0.7A	±5%	150mV		
RPT-65G □	24V, 0.09~2.9A	±2%	150mV	81%	66W
	5V, 0.0~1.5A	±5%	50mV		
	12V, 0.0~0.7A	±5%	100mV		

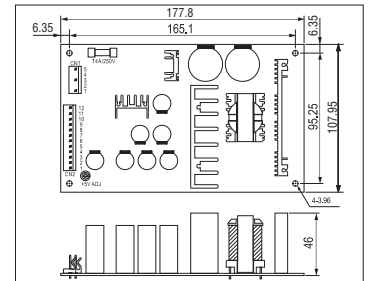
□ = blank, -C ; blank: PCB Type, -C: Enclosed Type

### 100~110W 2, 4 Output Switching Power Supply

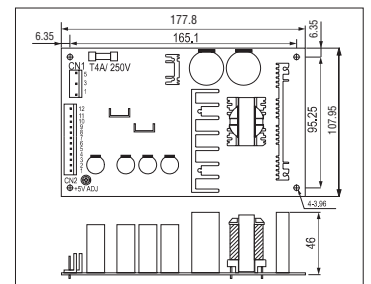
- Universal AC input / Full range
- Power good signal output (option)
- Protections: Short circuit / Overload / Over voltage
- Cooling by free air convection
- Fixed switching frequency at 45kHz
- 100% full load burn-in test
- Leakage current < 1mA@ 240VAC
- 2 years warranty



PD-110  
178x 108x 46 mm



PQ-100  
178x 108x 46 mm



AC input voltage range .. 90~264VAC; 127~370VDC  
 AC inrush current ..... Cold start, 50A at 230VAC  
 DC adjustment range ..... CH1: -5%~+10% rated output voltage  
 Overload protection ..... 105%~135% hiccup mode, auto-recovery  
 Over voltage protection .. CH1: 115%~135% rated output voltage  
 Withstand voltage ..... I/P-O/P: 3kVAC, I/P-FG: 1.5kVAC, 1minute  
 Working temperature ..... -10°C~60°C (refer to output derating curve)  
 Safety standards ..... UL60950-1, TUV EN60950-1 approved  
 EMC standards ..... EN55022 class B, EN61000-3-2,3, EN61000-4-2,3,4,5,6,11  
 Connection ..... 5+12P/ 3.96mm pitch, Molex: 5273-05,12(PD-110)  
 ..... 5+6+7P/ 3.96mm pitch, Molex: 5273-05,06,07(PQ-100)  
 Packing ..... 0.51kg ; 24pcs / 13.1kg / 1.19CUFT (PD-110)  
 ..... 0.56kg ; 24pcs / 14.5kg / 1.19CUFT (PQ-100)

#### ❖ Dual Output

Model No.	Output	Tol.	R&N	Effi.	Max.
PD-110A	5V, 0.5~5.0A	±2%	100mV	75%	103W
	12V, 0.5~6.5A	±6%	150mV		
PD-110B	5V, 0.5~5.0A	±2%	100mV	78%	109W
	24V, 0.5~3.5A	±6%	200mV		

#### ❖ Quad Output

Model No.	Output	Tol.	R&N	Effi.	Max.
PQ-100B	5V, 2.0~10A	±3%	80mV	72%	101W
	12V, 0.5~4.5A	±12%	250mV		
	-5V, 0.0~1.0A	±6%	80mV		
	-12V, 0.0~1.0A	±6%	120mV		
PQ-100C	5V, 2.0~8.0A	±2%	80mV	74%	103W
	15V, 0.5~4.0A	±6%	150mV		
	-5V, 0.0~1.0A	±6%	80mV		
	-15V, 0.0~1.0A	±6%	150mV		
PQ-100D	5V, 2.0~5.0A	±2%	80mV	77%	103W
	12V, 0.5~4.5A	±6%	120mV		
	24V, 0.4~2.0A	±10%	180mV		
	-12V, 0.0~1.0A	±6%	120mV		
PQ-100E	5V, 2.0~8.0A	±2%	80mV	74%	99W
	12V, 0.5~3.0A	±6%	120mV		
	15V, 0.0~1.0A	±6%	150mV		
	24V, 0.0~1.0A	±6%	120mV		

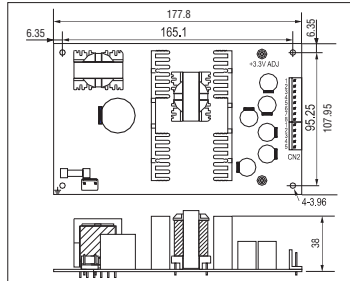


## 100W Quad Output with PFC Function

- Universal AC input / Full range
- PF>0.98@115VAC; >0.95@230VAC
- Protections: Short circuit / Overload / Over voltage
- Cooling by free air convection
- 100% full load burn-in test
- 3 years warranty



178x 108x 38 mm



- AC input voltage range .. 90~264VAC; 127~370VDC  
 AC inrush current ..... Cold start, 40A at 230VAC  
 DC adjustment range ..... CH1: -5%~+10% (PPQ-1003: CH1&2 -5%~+10%)  
 Overload protection ..... 105%~135% hiccup mode, auto-recovery (PPQ-100)  
 105%~135% constant current, auto-recovery (PPQ-1003)  
 Over voltage protection .. 3.6V~4.3V for 3.3V ; 5.75V~6.75V for 5.0V  
 Leakage current ..... Less than 3.5mA at 240VAC (PPQ-1003: <1mA)  
 Setup, rise, hold up time .. 800ms, 50ms, 18ms at full load and 230VAC  
 Withstand voltage ..... I/P-O/P: 3kVAC, I/P-FG: 1.5kVAC, 1minute  
 Working temperature ..... -10°C~60°C (refer to output derating curve)  
 Safety standards ..... UL60950-1, TUV EN60950-1 approved  
 EMC standards ..... EN55022 class B, EN61000-3-2,3,  
 EN61000-4-2,3,4,5,6,8,11  
 Connection ..... 5P+5P+8P/ 3.96mm pitch, P/N:JST B5/5/8P-VH (PPQ-100)  
 3P+5P+8P/ 3.96mm pitch, P/N:JST B3/5/8P-VH (PPQ-1003)  
 Packing ..... 0.62kg ; 24pcs / 15.5kg / 1.34CUFT (PPQ-1003)  
 0.62kg ; 24pcs / 15.9kg / 1.34CUFT (PPQ-100)

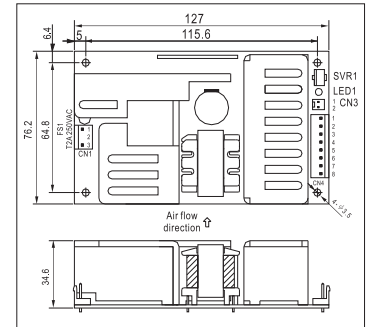
Model No.	Output	Tol.	R&N	Effi.	Max.
PPQ-1003A	3.3V, 0.0~15A	±3%	100mV	72%	109W
	5V, 2.0~15A	±3%	100mV		
	12V, 0.2~3.0A	±6%	150mV		
	-5V, 0.0~1.0A	±6%	100mV		
PPQ-1003B	3.3V, 0.0~15A	±3%	100mV	72%	111W
	5V, 2.0~15A	±3%	100mV		
	12V, 0.2~3.0A	±6%	150mV		
	-12V, 0.0~1.0A	±6%	120mV		
PPQ-1003C	3.3V, 0.0~15A	±3%	100mV	72%	110W
	5V, 2.0~15A	±3%	100mV		
	15V, 0.2~3.0A	+10%, -5%	180mV		
	-15V, 0.0~1.0A	±6%	150mV		
PPQ-1003D	3.3V, 0.0~15A	±3%	100mV	72%	114W
	5V, 2.0~15A	±3%	100mV		
	12V, 0.2~3.0A	±6%	150mV		
	24V, 0.0~1.0A	±6%	150mV		
PPQ-100B	5V, 2.0~15A	±3%	100mV	75%	101W
	12V, 0.3~4.0A	±8%	150mV		
	-12V, 0.0~1.0A	±5%	100mV		
	-5V, 0.0~1.0A	±5%	100mV		
PPQ-100C	5V, 2.0~15A	±3%	100mV	76%	101W
	15V, 0.3~4.0A	-6%, +10%	150mV		
	-15V, 0.0~1.0A	±5%	100mV		
	-5V, 0.0~1.0A	±5%	100mV		
PPQ-100D	5V, 2.0~10A	±3%	100mV	78%	102W
	24V, 0.3~4.0A	±8%	200mV		
	12V, 0.0~1.0A	±5%	100mV		
	-12V, 0.0~1.0A	±5%	100mV		

## 125W 1,3 Output with PFC Function

- Universal AC input/ Full range
- PF>0.98@115VAC, >0.93@230VAC
- High power density 6.117W/in<sup>3</sup>
- 3"x5" miniature size
- Protections: Short circuit / Overload / Over voltage
- Built-in remote sense for PPS-125
- LED indicator for power on
- Free air convection for 100W and 125W with 18 CFM forced air
- 100% full load burn-in test
- 3 years warranty



127x 76.2x 34.6 mm



- AC input voltage range ..... 90~264VAC; 127~370VDC  
 AC inrush current ..... Cold start, 24A at 230VAC  
 DC adjustment range ..... CH1: ±5% rated output voltage  
 Overload protection ..... 130%~160% fold back current limiting, auto-recovery  
 Over voltage protection ..... CH1:110%~135% rated output voltage  
 Leakage current ..... Less than 2.0 mA at 240VAC  
 Setup, rise, hold up time .... 1000ms, 30ms, 24ms at full load and 230VAC  
 Withstand voltage ..... I/P-O/P: 3kVAC, I/P-FG: 1.5kVAC, 1minute  
 Working temperature ..... -20°C~70°C (refer to output derating curve)  
 Safety standards ..... UL60950-1, TUV EN60950-1 approved  
 EMC standards ..... EN55022 class B, EN61000-3-2,3,  
 EN61000-4-2,3,4,5,6,8,11  
 Connection ..... 3+8P /3.96mm pitch, JST: B3P/B8P-VH (PPS-125)  
 3+5Px2 /3.96mm pitch, JST: B3P/B5Px2-VH (PPT-125)  
 Packing ..... 0.37kg; 36pcs / 14.3kg / 0.79CUFT

### Single Output

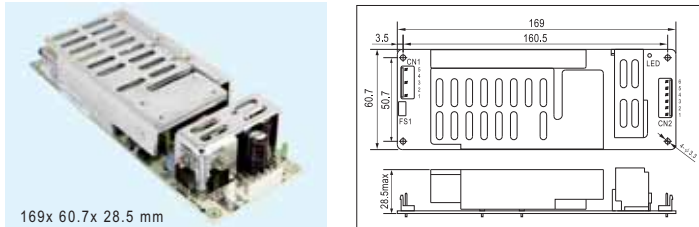
Model No.	Output	Tol.	R&N	Effi.
PPS-125-3.3	3.3V, 0~25A	±2%	100mV	70%
PPS-125-5	5V, 0~25A	±2%	100mV	79%
PPS-125-12	12V, 0~10.5A	±2%	100mV	80%
PPS-125-13.5	13.5V, 0~9.3A	±2%	100mV	80%
PPS-125-15	15V, 0~8.4A	±2%	100mV	80%
PPS-125-24	24V, 0~5.2A	±1%	150mV	83%
PPS-125-27	27V, 0~4.6A	±1%	150mV	83%
PPS-125-48	48V, 0~2.6A	±1%	250mV	84%

### Triple Output

Model No.	Output	Tol.	R&N	Effi.	Max
PPT-125A	3.3V, 1.0~12.5A	±3%	100mV	75%	99W
	5V, 0.8~10.0A	±5%	100mV		
	12V, 0.05~0.63A	±6%	120mV		
PPT-125B	5V, 1.0~14.38A	±3%	100mV	78%	124W
	12V, 0.3~3.75A	±5%	120mV		
	-12V, 0.05~0.63A	±6%	120mV		
PPT-125C	5V, 1.0~13.75A	±3%	100mV	78%	125W
	15V, 0.25~3.13A	±5%	150mV		
	-15V, 0.05~0.63A	±6%	150mV		
PPT-125D	5V, 1.0~8.75A	±3%	100mV	78%	126W
	24V, 0.25~3.13A	±5%	240mV		
	12V, 0.05~0.63A	±6%	120mV		

### 150W Single Output with PFC Function

- Universal AC input / Full range
- PF>0.98@115VAC; >0.95@230VAC
- Protections: Short circuit / Over load / Over voltage / Over temp.
- Cooling by free air convection
- High power density 8.4W/in<sup>3</sup>
- No load power consumption<1W
- 100% full load burn-in test
- 3 years warranty

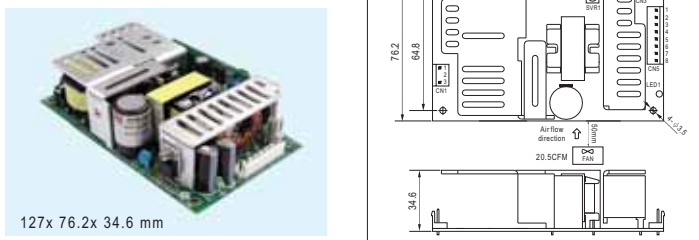


AC input voltage range ..... 90~264VAC ; 127~370VDC  
 DC adjustment range ..... Can be modified between ±10% rated output voltage by factory  
 Overload protection ..... 105%~135% hiccup mode, auto-recovery  
 Over voltage protection ..... 110%~135% rated output voltage  
 Withstand voltage ..... I/P-O/P: 4.25kVDC, I/P-FG:1.5kVAC, 1minute  
 Working temperature ..... -20~+60°C (refer to output derating curve)  
 Safety standards ..... UL60950-1 approved  
 EMC standards ..... EN55022 class B, EN61000-3-2,3, EN61000-4-2,3,4,5,6,8,11  
 Connection ..... 5+6P / 3.96mm pitch, JST P/N :B5P / B6P-VH  
 Packing ..... 0.32kg ; 48pcs / 15.8kg / 0.79CUFT

Model No.	Output	Tol.	R&N	Effi.
ASP-150-12	12V, 0~11A	±2%	150mV	88%
ASP-150-15	15V, 0~9.5A	±2%	180mV	88%
ASP-150-20	20V, 0~7.5A	±1%	200mV	90%
ASP-150-24	24V, 0~6.3A	±1%	240mV	90%
ASP-150-48	48V, 0~3.2A	±1%	240mV	89%

### 200W Single Output with PFC Function

- Universal AC input / Full range
- High efficiency up to 90%
- PF>0.98@115VAC; >0.93@230VAC
- Protections: Short circuit / Over load / Over voltage / Over temp.
- High power density 9.78W/inch<sup>3</sup>
- 5"x3" compact size
- ZVS technology to reduce power dissipation
- Built-in remote sense function
- Free air convection for 150W and 200W with 20.5 CFM forced air
- 3 years warranty

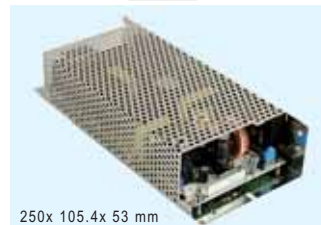


AC input voltage range ..... 90~264VAC; 127~370VDC  
 DC adjustment range ..... ±10% rated output voltage  
 Overload protection ..... 105%~135% hiccup mode, auto-recovery  
 Over voltage protection ..... 115%~135% rated output voltage  
 Withstand voltage ..... I/P-O/P: 3kVAC, I/P-FG:1.5kVAC, 1minute  
 Working temperature ..... -20°C~70°C (refer to output derating curve)  
 Safety standards ..... UL60950-1, TUV EN60950-1 approved  
 EMC standards ..... EN55022 class B, EN61000-3-2,3 EN61000-4-2,3,4,5,6,8,11  
 Connection ..... 3+8P / 3.96mm pitch, JST B3P / B8P-VH  
 Packing ..... 0.37kg ; 36pcs / 14.3kg / 0.79CUFT

Model No.	Output	Tol.	R&N	Effi.
PPS-200-5	5V, 0~36.0A	±4%	100mV	86%
PPS-200-12	12V, 0~16.6A	±3%	100mV	89%
PPS-200-15	15V, 0~13.3A	±3%	100mV	89%
PPS-200-24	24V, 0~8.30A	±2%	150mV	89%
PPS-200-27	27V, 0~7.40A	±2%	150mV	89%
PPS-200-48	48V, 0~4.167A	±2%	250mV	90%

### 250W Isolated Dual Output with PFC Function

- Universal AC input / Full range
- Isolated output & GND for CH1,CH2
- PF>0.97@115VAC; >0.92@230VAC
- Protections: Short circuit / Overload / Over voltage / Over temp.
- Optional case available
- Cooling by free air convection
- Remote control function for CH1
- Peak load 170% for 10 sec. (CH1)
- 100% full load burn-in test
- 3 years warranty

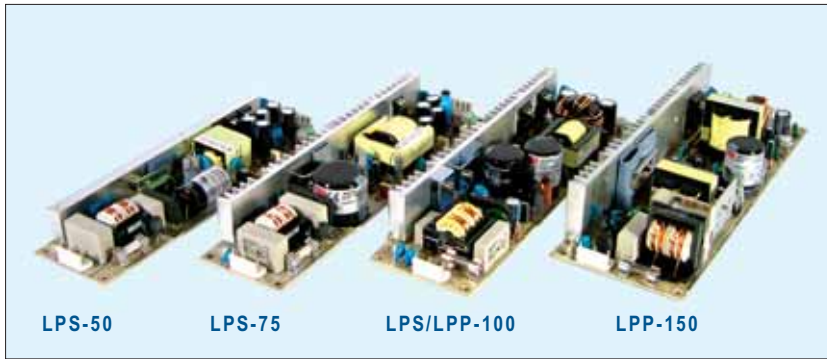


AC input voltage range ..... 90~264VAC; 127~370VDC  
 AC inrush current ..... Cold start, 58A at 230VAC  
 Leakage current ..... Less than 3.5mA at 240VAC  
 DC adjustment range ..... ±10% for CH1; ±5% for CH2  
 Overload protection(CH1) ..... 105%~170% normally operation, shut off after 10 sec.; >180%, constant current, shut off after 10 sec.  
 (CH2) ..... 101%~150% hiccup mode, auto-recovery  
 Over voltage protection ..... CH1: 115%~140%, CH2: 110%~135%  
 Setup, rise, hold up time ..... 1200ms, 60ms, 30ms at full load and 230VAC  
 Withstand voltage ..... I/P-O/P:3.0kVAC, I/P-FG:1.5kVAC, 1minute  
 Working temperature ..... -20°C~+70°C (refer to output derating curve)  
 Safety standards ..... UL60950-1, TUV EN60950-1 approved  
 EMC standards ..... EN55022 class B, EN61000-3-2,-3 EN61000-4-2,3,4,5,6,8,11, EN61000-6-2  
 Connection ..... 5+10+2P/3.96mm pitch JST B5P/B10P-VH, B2B-XH  
 Packing ..... 0.74Kg ; 18pcs / 14.3Kg / 0.88CUFT

Model No.	Output	Tol.	R&N	Effi.
PID-250A	12V, 0~15A	±3%	120mV	83%
PID-250B	5V, 0~5.0A	±2%	50mV	86%
PID-250C	24V, 0~9.4A	±2%	150mV	86%
PID-250D	5V, 0~5.0A	±2%	50mV	86%
PID-250E	36V, 0~6.3A	±2%	200mV	86%
PID-250F	5V, 0~5.0A	±2%	50mV	86%
PID-250G	48V, 0~4.7A	±2%	200mV	86%
PID-250H	5V, 0~5.0A	±2%	50mV	86%

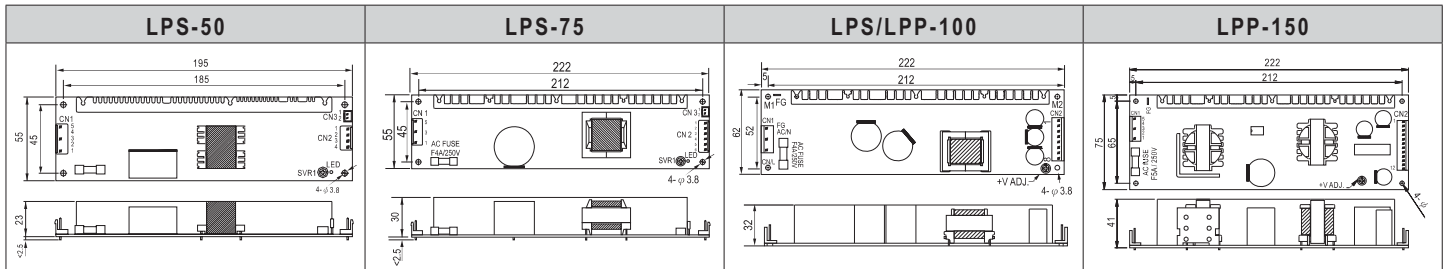
#### ► Feature Description

PID-250 series is suitable for motor-based equipment with logic control circuit. CH1 with high peak power capability can provide the required surge loading while starting up the motor. The isolated 5V/5A CH2 is good for logic control usage and can still work properly even CH1 is malfunction or at any protection modes. The isolated design between CH1 and CH2 can significantly prevent noise of the motor action from entering control circuits and hence secure the accurate operation of the end equipment.



### Features

- Universal AC input / Full range
- Built-in active PFC function (LPP-100/150)
- Protections: Short circuit / Overload / Over voltage
- Optional over temperature protection for LPP-150
- Built-in remote ON/OFF control (LPS-50/75)
- Cooling by free air convection
- 100% full load burn-in test
- 2 years warranty for LPS series
- 3 years warranty for LPP series



### General Specification (Please refer to [www.meanwell.com](http://www.meanwell.com) for detail spec.)



Model No.	LPS-50	LPS-75	LPS-100	LPP-100	LPP-150
AC input voltage range	90~264VAC		115/230 auto switch	85~264VAC	
AC inrush current (230VAC)	35A	36A	60A	30A	40A
DC adjustment range	±10% rated output voltage			-5%~+10% rated output voltage	
Overload protection	Range	122%~160%	115%~150%	105%~140%	105%~150% rated output power
	Type	Hiccup mode, auto recovery			Constant current limiting, auto recovery
Over voltage protection	Range	110%~135% of rated output voltage			Shut off, AC recycle to re-start
	Type	Hiccup mode, auto recovery			
Withstand voltage	I/P-O/P: 3kVAC, I/P-FG: 1.5kVAC, O/P-FG: 0.5kVAC, 1 minute				
Working temperature	-20~+70°C (refer to output derating curve)		-10~+60°C (refer to output derating curve)		
Safety standards	UL60950-1, TUV EN60950-1 approved				
EMC standards	EN55022 class B, EN61000-3-2,3, EN61000-4-2,3,4,5,6,8,11 (EN61000-6-2 heavy industry level for LPS-50/75 only)				
Connection	JST B5P / B4P-VH	JST B5P / B6P-VH	5P+8P/3.96mm pitch, JST B5P / B8P-VH		JST B5P / B6Px2-VH
Dimension (L*W*H)(mm)	195x 55x 23	222x 55x 30	222x 62x 32		222x 75x 41
Packing	48pcs / 12.5kg	48pcs / 15.6kg	24pcs / 12.5kg	24pcs / 13.9kg	24pcs / 16.6kg

### 50W LPS-50

Model No.	Output	Tol.	R&N	Effi.
LPS-50-3.3	3.3V, 0~10A	±3%	50mV	75%
LPS-50-5	5V, 0~10A	±3%	50mV	81%
LPS-50-12	12V, 0~4.2A	±2%	80mV	82%
LPS-50-15	15V, 0~3.4A	±2%	80mV	84%
LPS-50-24	24V, 0~2.1A	±1%	80mV	85%
LPS-50-48	48V, 0~1.1A	±1%	100mV	86%

### 75W LPS-75

Model No.	Output	Tol.	R&N	Effi.
LPS-75-3.3	3.3V, 0~15A	±3%	80mV	69%
LPS-75-5	5V, 0~15A	±3%	80mV	77%
LPS-75-12	12V, 0~6.2A	±2%	100mV	80%
LPS-75-15	15V, 0~5.0A	±2%	100mV	81%
LPS-75-24	24V, 0~3.2A	±2%	120mV	83%
LPS-75-48	48V, 0~1.56A	±2%	120mV	83%

### 100W LPS-100

Model No.	Output	Tol.	R&N	Effi.
LPS-100-3.3	3.3V, 0~20A	±3%	150mV	69%
LPS-100-5	5V, 0~20A	±3%	100mV	77%
LPS-100-7.5	7.5V, 0~13.3A	±2%	100mV	77%
LPS-100-12	12V, 0~8.4A	±2%	100mV	79%
LPS-100-13.5	13.5V, 0~7.5A	±2%	100mV	79%
LPS-100-15	15V, 0~6.7A	±2%	100mV	80%

LPS-100-24	24V, 0~4.2A	±1%	150mV	80%
LPS-100-27	27V, 0~3.8A	±1%	150mV	81%
LPS-100-48	48V, 0~2.1A	±1%	200mV	81%

### 100W (with PFC Function) LPP-100

Model No.	Output	Tol.	R&N	Effi.
LPP-100-3.3	3.3V, 0~20A	±2%	100mV	69%
LPP-100-5	5V, 0~20A	±2%	100mV	75%
LPP-100-7.5	7.5V, 0~13.5A	±2%	100mV	76%
LPP-100-12	12V, 0~8.5A	±2%	100mV	79%
LPP-100-13.5	13.5V, 0~7.5A	±2%	100mV	79%
LPP-100-15	15V, 0~6.7A	±2%	100mV	80%
LPP-100-24	24V, 0~4.2A	±1%	150mV	83%
LPP-100-27	27V, 0~3.8A	±1%	150mV	83%
LPP-100-48	48V, 0~2.1A	±1%	250mV	83%

### 150W (with PFC Function) LPP-150

Model No.	Output	Tol.	R&N	Effi.
LPP-150-3.3	3.3V, 0~30A	±2%	150mV	66%
LPP-150-5	5V, 0~30A	±2%	100mV	72%
LPP-150-7.5	7.5V, 0~20A	±2%	100mV	76%
LPP-150-12	12V, 0~12.5A	±2%	100mV	79%
LPP-150-13.5	13.5V, 0~11.2A	±2%	100mV	80%
LPP-150-15	15V, 0~10A	±2%	100mV	80%
LPP-150-24	24V, 0~6.3A	±1%	150mV	83%
LPP-150-27	27V, 0~5.6A	±1%	150mV	83%
LPP-150-48	48V, 0~3.2A	±1%	250mV	83%

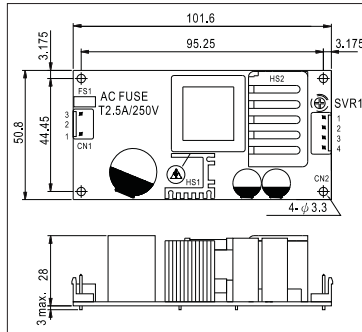
### 45W & 65W Single Output Switching Power Supply

- 4"x2"x 0.95" compact size
- **No load power consumption <0.3W**
- High efficiency up to 90%
- Universal AC input / Full range
- Cooling by free air convection
- Protections: Short circuit / Overload / Over voltage
- **Case available (EPS-45-x-C & EPS-65-x-C)**
- LED indicator for power on
- 3 years warranty

UL/CUL/TUV/CB/CE pending



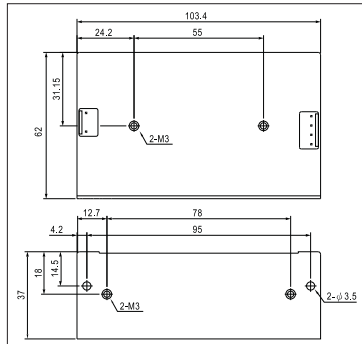
101.6x 50.8x 28 mm



UL/CUL/TUV/CB/CE pending



103.4x 62x 37 mm



AC input voltage range ..... 90~264VAC; 127~370VDC  
 AC inrush current ..... Cold start, 60A at 230VAC  
 DC adjustment range .....  $\pm 10\%$  rated output voltage  
 Overload protection ..... 115%~150% hiccup mode, auto-recovery  
 Over voltage protection ..... 110%~135% rated output voltage  
 Withstand voltage ..... I/P-O/P: 3kVAC, I/P-FG: 1.5kVAC, O/P-FG: 0.5kVAC  
 Working temperature ..... -30°C~+70°C (refer to output derating curve)  
 Safety standards ..... UL60950-1, TUV EN60950-1 approved  
 EMC standards ..... EN55022 class B, EN61000-3-2,3, EN61000-4-2,3,4,5,6,8,11  
 Connection ..... 3+4P / 3.96mm pitch, JST B3P/B4P-VH

Model No.	Output(Rated / Peak 10 sec.)	Tol.	R&N	Effi.
EPS-45-3.3□	3.3V, 0~8A/9A	$\pm 3\%$	80mV	80%
EPS-45-5□	5V, 0~8A/9A	$\pm 2\%$	80mV	82%
EPS-45-7.5□	7.5V, 0~5.4A/6A	$\pm 2\%$	100mV	84%
EPS-45-12□	12V, 0~3.75A/4.2A	$\pm 2\%$	120mV	87%
EPS-45-15□	15V, 0~3A/3.3A	$\pm 2\%$	150mV	88%
EPS-45-24□	24V, 0~1.9A/2.1A	$\pm 1\%$	240mV	89%
EPS-45-36□	36V, 0~1.25A/1.4A	$\pm 1\%$	280mV	89%
EPS-45-48□	48V, 0~1A/1.1A	$\pm 1\%$	300mV	90%

□ = blank, -C ; blank: PCB type, -C: Enclosed type

Model No.	Output(Rated / Peak 10 sec.)	Tol.	R&N	Effi.
EPS-65-3.3□	3.3V, 0~11A/12A	$\pm 3\%$	80mV	80%
EPS-65-5□	5V, 0~11A/12A	$\pm 2\%$	80mV	82%
EPS-65-7.5□	7.5V, 0~8A/8.8A	$\pm 2\%$	100mV	84%
EPS-65-12□	12V, 0~5.42A/6A	$\pm 2\%$	120mV	87%
EPS-65-15□	15V, 0~4.34A/4.8A	$\pm 2\%$	150mV	88%
EPS-65-24□	24V, 0~2.71A/3A	$\pm 1\%$	240mV	89%
EPS-65-36□	36V, 0~1.81A/2A	$\pm 1\%$	280mV	89%
EPS-65-48□	48V, 0~1.36A/1.5A	$\pm 1\%$	300mV	90%

□ = blank, -C ; blank: PCB type, -C: Enclosed type

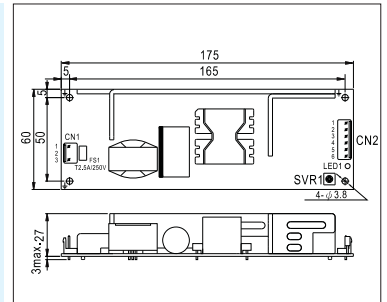
### 75W Single Output with PFC Function

- Universal AC input / Full range
- Built-in active PFC function, PF>0.95
- **No load power consumption <0.5W**
- High efficiency up to 90%
- Cooling by free air convection
- Protections: Short circuit / Overload / Over voltage
- **Case available (ELP-75-x-C)**
- LED indicator for power on
- 1U low profile
- 3 years warranty

UL/CUL/TUV/CB/CE pending



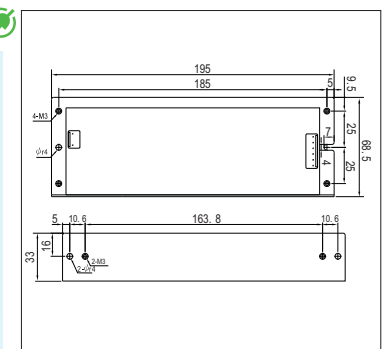
175x 60x 27 mm



UL/CUL/TUV/CB/CE pending



195x 68.5x 33 mm



AC input voltage range ..... 90~264VAC; 127~370VDC  
 AC inrush current ..... Cold start, 60A at 230VAC  
 DC adjustment range .....  $\pm 10\%$  rated output voltage  
 Overload protection ..... 105%~150% hiccup mode, auto-recovery  
 Over voltage protection ..... 115%~135% rated output voltage  
 Leakage current ..... Less than 1mA at 240VAC  
 Setup, rise, hold up time .... 2500ms, 50ms, 20ms at full load and 230VAC  
 Withstand voltage ..... I/P-O/P: 3kVAC, I/P-FG: 1.5kVAC, O/P-FG: 0.5kVAC  
 Working temperature ..... -30°C~+70°C (refer to output derating curve)  
 Safety standards ..... UL60950-1, TUV EN60950-1 approved  
 EMC standards ..... EN55022 class B, EN61000-3-2,-3, EN61000-4-2,3,4,5,6,8,11  
 Connection ..... 3+6P / 3.96mm pitch, JST B3P/B6P-VH  
 Packing ..... 0.25kg ; 48pcs / 13kg / 0.85CUFT (PCB type)  
 0.54kg ; 25pcs / 14.5kg / 0.59CUFT (Enclosed type)

Model No.	Output	Tol.	R&N	Effi.
ELP-75-3.3□	3.3V, 0~15A	$\pm 3\%$	80mV	80%
ELP-75-5□	5V, 0~15A	$\pm 2\%$	80mV	82%
ELP-75-12□	12V, 0~6.25A	$\pm 2\%$	120mV	89%
ELP-75-15□	15V, 0~5A	$\pm 2\%$	150mV	90%
ELP-75-24□	24V, 0~3.15A	$\pm 1\%$	240mV	90%
ELP-75-36□	36V, 0~2.1A	$\pm 1\%$	280mV	90%
ELP-75-48□	48V, 0~1.6A	$\pm 1\%$	300mV	90%

□ = blank, -C ; blank: PCB type, -C: Enclosed type



PCB Type: 144x 90x 35 mm  
External Case Type: 180x 96x 49 mm

Power Factor Correction Choke



Output Diode of Charger

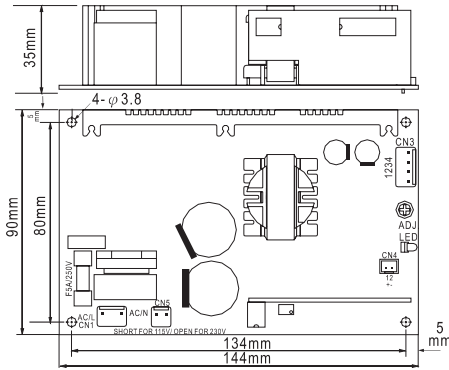
2 Color LED Indication

Fan Connector

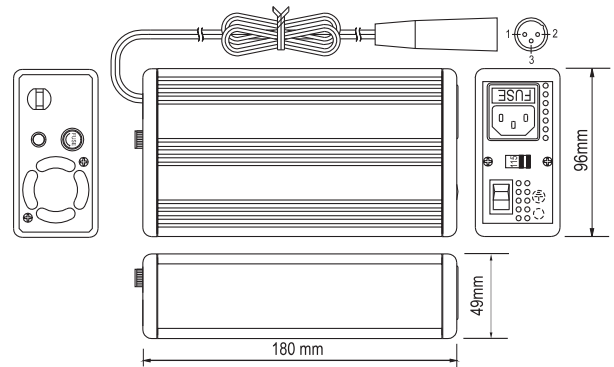
Fast Charging Circuit (A/B Selectable)

115 / 230 Selectable

### P.C.B. Dimension



### Case Drawing



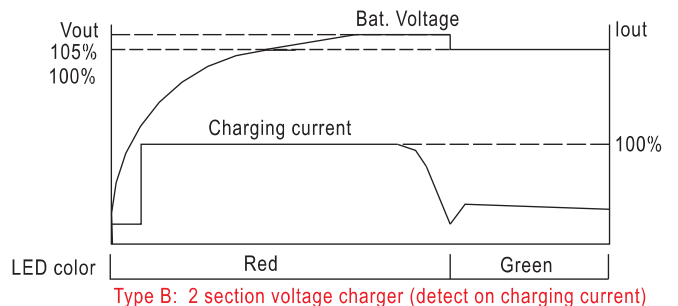
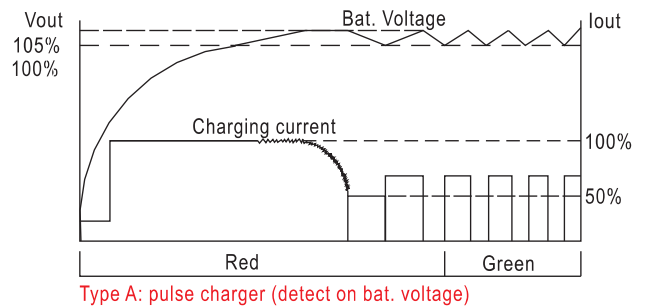
### Features

- AC input range selectable by switch
- Passive PFC, PF > 0.65(option)
- Protection for deeply discharged battery
- Protections: Short circuit / Overload / Over voltage / Over temp.
- Charger for lead-acid batteries
- Built-in ON/OFF power switch
- 3 poles AC inlet with fuse holder
- Charging type can be selected (option)
- 2 color LED loading indicator
- EN60335 approved
- Low cost, high reliability
- Open frame models available (without safety approval)
- 2 years warranty

### General Specification

AC input voltage range ..... 88~132VAC/ 176~264VAC selectable by switch  
AC inrush current (max.) ..... Cold start, 25A at 115VAC, 50A at 230VAC  
Overload protection ..... 90%~110% constant current limiting , auto-recovery  
Over voltage protection ..... 108%~127% rated output voltage  
Setup, rise, hold up time ..... 1000ms, 50ms, 16ms at full load and 230VAC  
Withstand voltage ..... I/P-O/P: 3kVAC, I/P-FG: 1.5kVAC, O/P-FG: 0.5kVAC, 1 minute  
Working temperature ..... -10°C~45°C, derating curve may vary for different models  
Safety standards ..... UL60950-1, TUV EN60950-1, EN60335, EN60335-1, EN60335-2-29(except for 55.2V) approved  
EMC standards ..... EN55022 class B, EN61000-4-2,3,4,5,6,8,11, EN61000-3-2,3  
DC output cable ..... 6 ft. of SPT-2, 18AWGx2C  
Standard output connector ... MIC 3P, male type(standard type)  
Packing ..... 1.1kg ; 16pcs / 17.9kg / 1.47CUFT (without PFC)  
1.24kg ; 16pcs / 20.1kg / 1.47CUFT (with PFC)

### Charging Curve



### Order Information

P A - 120 P - 13 C

A: Pulse charge  
B: 2 section voltage charge  
P: With PFC  
N: None PFC

P : Open P.C.B.  
C : With case  
13: 13.8V  
27: 27.6V  
54: 55.2V

### 108W Desktop Power Supply or Charger



- AC input range selectable by switch
- Protections: Short circuit / Overload / Over voltage / Over temp.
- 3 color LED loading indicator
- Battery under / over voltage and polarity protection (ESC only)
- Cooling by free air convection
- Fixed switching frequency at 25kHz
- 2 years warranty

AC input voltage range ..... 88~132VAC / 176~264VAC selectable by switch  
 AC inrush current ..... Cold start, 40A at 230VAC  
 DC adjustment range ..... 13.5V: 12~15V, 27V: 24~30V, 54V: 48~56V  
 Overload protection ..... 105%~135% fold back current limiting, auto-recovery  
 Over voltage protection ..... 115%~135% rated output voltage  
 Setup, rise, hold up time ... 200ms, 100ms, 36ms at full load and 230VAC  
 Withstand voltage ..... I/P-O/P: 3kVAC, I/P-FG: 1.5kVAC, 1minute  
 Working temperature ..... 0~35°C@100%, -10°C@80%, 60°C@60% load  
 Safety standards ..... CSA 61010-1 approved  
 EMC standards ..... EN55022 class B, EN61000-3-2,3, EN61000-4-2,3,4  
 Packing ..... 1.38kg ; 8pcs / 12.0kg / 1.1CUFT

Model No.	Output	Tol.	R&N	Effi.
ESC-120-13.5	13.5V, 0~8A	±2%	120mV	81%
ESC-120-27	27V, 0~4A	±1%	150mV	83%
ESC-120-54	54V, 0~2A	±1%	400mV	84%
ESP-120-13.5	13.5V, 0~8A	±2%	120mV	81%
ESP-120-27	27V, 0~4A	±1%	150mV	83%
ESP-120-54	54V, 0~2A	±1%	400mV	84%

### 216W Desktop Power Supply or Charger



- AC input range selectable by switch
- Protections: Short circuit / Overload / Over voltage / Over temp.
- 3 color LED loading indicator
- Battery under / over voltage and polarity protection (ESC only)
- Built-in DC fan with fan ON/OFF auto control at 50°C
- Fixed switching frequency at 25kHz
- 2 years warranty

AC input voltage range ..... 88~132VAC / 176~264VAC selectable by switch  
 AC inrush current ..... Cold start, 40A at 230VAC  
 DC adjustment range ..... 13.5V: 12~15V, 27V: 24~30V, 54V: 48~56V  
 Overload protection ..... 105%~135% fold back current limiting, auto-recovery  
 Over voltage protection ..... 115%~135% rated output voltage  
 Setup, rise, hold up time ... 200ms, 100ms, 30ms at full load and 230VAC  
 Withstand voltage ..... I/P-O/P: 3kVAC, I/P-FG: 1.5kVAC, 1minute  
 Working temperature ..... 0~40°C@100%, -10°C@80%, 60°C@60% load  
 Safety standards ..... CSA 61010-1 approved  
 EMC standards ..... EN55022 class B, EN61000-3-2,3, EN61000-4-2,3,4  
 Packing ..... 1.5kg ; 8pcs / 13.0kg / 1.1CUFT

Model No.	Output	Tol.	R&N	Effi.
ESC-240-13.5	13.5V, 0~16A	±2%	120mV	81%
ESC-240-27	27V, 0~8A	±1%	150mV	84%
ESC-240-54	54V, 0~4A	±1%	400mV	85%
ESP-240-13.5	13.5V, 0~16A	±2%	120mV	81%
ESP-240-27	27V, 0~8A	±1%	150mV	84%
ESP-240-54	54V, 0~4A	±1%	400mV	85%

### 230W Single Output Battery Charger



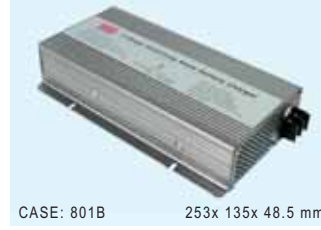
- 3 stage charging
- Universal AC input / Full range
- Built-in active PFC function, PF>0.95
- Protections: Short circuit / Over voltage / Over temperature
- 2 color LED loading indicator
- Built-in remote ON-OFF control
- Fan ON/OFF control
- Low cost, high reliability
- 2 years warranty

AC input voltage range ..... 90~264VAC; 127~370VDC  
 AC inrush current (max.) .. Cold start, 50A at 230VAC  
 Over voltage protection ..... 102%~125% shut off, re-power on to recover  
 Withstand voltage ..... I/P-O/P: 3kVAC, I/P-FG: 1.5kVAC, O/P-FG: 0.5kVAC  
 Working temperature ..... -20°C~+50°C ( refer to output derating curve )  
 Safety standards ..... UL1012(PB-230xx-AD1 only), EN60950-1 approved  
 EMC standards ..... EN55022 class B, EN61000-4-2,3,4,5,6,8,11, EN61000-3-2,3  
 Packing ..... 1.21Kg ; 12pcs / 15.5Kg / 1.29CUFT

Model No.	Output	Effi.
PB-230-12□	14.4V, 0~16A	81.5%
PB-230-24□	28.8V, 0~8A	85.5%
PB-230-48□	57.6V, 0~4A	86.0%

□ = Blank, AD1; Blank= 4 pin power din, AD1= Anderson connector

### 300W Single Output Battery Charger



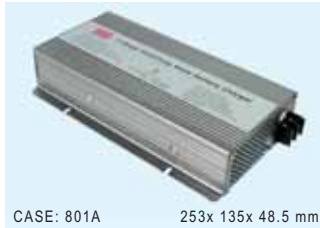
- Optimal 3 stage charging characteristic
- AC input range selectable by switch
- Passive PFC compliance to EN61000-3-2 class A (option)
- Protections: Reverse polarity / Short circuit / Over voltage / Over temperature
- Charger for lead-acid batteries
- Built-in ON/OFF power switch
- 3 poles AC inlet (IEC 320-C14)
- 2 color LED loading indicator
- Built-in remote ON/OFF control
- Cooling by free air convection
- 3 years warranty

AC input voltage range ..... 90~132VAC / 180~264VAC selectable by switch  
 AC inrush current (max.) .. Cold start, 60A at 230VAC  
 Over voltage protection ..... 108%~125% rated output voltage  
 Withstand voltage ..... I/P-O/P: 3kVAC, I/P-FG: 1.5kVAC, 1 minute  
 Working temperature ..... -10°C~+50°C ( refer to output derating curve )  
 Safety standards ..... IEC60335-2-29 CB approval by TUV (except for 48V), UL60950-1 approved  
 EMC standards ..... EN55022 class B, EN61000-4-2,3,4,5,6,8,11, EN61000-3-2,3 (P type)  
 Packing ..... 1.45kg ; 6pcs / 9.7kg / 0.95CUFT

Model No.	Output (20 min.) / (Continuous at 25°C)	Effi.
PB-300□-12	14.4V, 20.85A / 12.5A	85%
PB-300□-24	28.8V, 10.50A / 6.25A	86%
PB-300□-48	57.6V, 5.3A / 3.20A	88%

□ = P: with PFC; N: non PFC

### 360W Single Output Battery Charger



CASE: 801A 253x 135x 48.5 mm

- Optimal 3 stage charging characteristic
- AC input range selectable by switch
- Passive PFC compliance to EN61000-3-2 class A (option)
- Protections: Reverse polarity / Short circuit / Over voltage / Over temperature
- Charger for lead-acid batteries
- Built-in ON/OFF power switch
- 3 poles AC inlet (IEC 320-C14)
- 2 color LED loading indicator
- Built-in remote ON/OFF control
- Cooling by built-in DC fan
- 3 years warranty

AC input voltage range ..... 90~132VAC / 180~264VAC selectable by switch

AC inrush current (max.) .. Cold start, 60A at 230VAC

Over voltage protection .... 108%~125% rated output voltage

Withstand voltage ..... I/P-O/P: 3kVAC, I/P-FG: 1.5kVAC, 1 minute

Working temperature ..... -20°C~+60°C ( refer to output derating curve )

Safety standards ..... IEC60335-2-29 CB approval by TUV (except for 48V), UL60950-1 approved

EMC standards ..... EN55022 class B, EN61000-4-2,3,4,5,6,8,11, EN61000-3-2,3 (P type)

Packing ..... 1.5kg ; 6pcs / 10kg / 0.95CUFT

Model No.	Output	Effi.
PB-360□-12	14.4V, 24.3A	85%
PB-360□-24	28.8V, 12.5A	86%
PB-360□-48	57.6V, 6.25A	87%

□ = P: with PFC; N: non PFC

### 600W Single Output Battery Charger



CASE: 805C 230x 158x 67 mm

- 2/3/8 stage smart charger for lead-acid batteries
- Microprocessor controlled power management
- Universal AC input / Full range
- Built-in active PFC function, PF>0.95
- Protections: Reverse polarity / Short circuit / Over voltage / Over temperature
- Built-in temp. compensation function
- Status signal sent by relay contacts
- 3 color LED loading indicator
- Built-in remote ON-OFF control
- Fan speed control (depend on charging current)
- Charging curve can be modified for different battery applications (optional)
- 3 years warranty

AC input voltage range ..... 90~264VAC; 127~370VDC

AC inrush current (max.) .. Cold start, 50A at 230VAC

Over voltage protection .... 112%~125% shut off, re-power on to recover

Withstand voltage ..... I/P-O/P: 3kVAC, I/P-FG: 1.5kVAC, O/P-FG: 0.5kVAC

Working temperature ..... -20°C~+60°C ( refer to output derating curve )

Safety standards ..... TUV EN60335-1, EN60335-2-29(except for 48V), EN60950-1(48V only), UL1012 approved

EMC standards ..... EN55022 class B conducted, EN61000-3-2,3, EN61000-4-2,3,4,5,6,8,11

Connection ..... IEC inlet for input; copper pillars for output

Model No.	Output	Effi.
PB-600-12	14.4V, 0~40.0A	86%
PB-600-24	28.8V, 0~21.0A	87%
PB-600-48	57.6V, 0~10.5A	89%

### 1000W Single Output Battery Charger



CASE: 804B 300x 184x 70 mm

- 2/3/8 stage smart charger for lead-acid batteries
- Microprocessor controlled power management
- Universal AC input / Full range
- Built-in active PFC function PF>0.95
- Protections: Reverse polarity / Short circuit / Over voltage / Over temperature
- Built-in temp. compensation function
- Can be connected to 2 battery banks
- Status signal sent by relay contacts
- 3 color LED loading indicator
- Built-in remote ON-OFF control
- Fan speed control
- Charging curve can be modified for different battery applications (optional)
- 3 years warranty

AC input voltage range ..... 90~264VAC / 127~370VDC

AC inrush current (max.) .... Cold start, 50A at 230VAC

Over voltage protection ..... 110%~125% shut off, re-power on to recover

Withstand voltage ..... I/P-O/P: 3kVAC, I/P-FG: 1.5kVAC, 1 minute

Working temperature ..... -20°C~+60°C ( refer to output derating curve )

Safety standards ..... UL60950-1, TUV EN60950-1 approved

EMC standards ..... EN55022 class B conducted, EN61000-4-2,3,4,5,6,8,11, EN61000-3-2,3

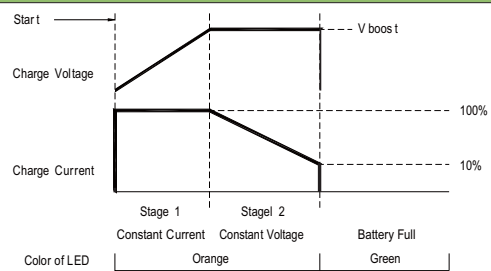
Connection ..... IEC inlet for input; copper pillars for output

Packing ..... 3.5kg ; 4pcs / 15kg / 1.83CUFT

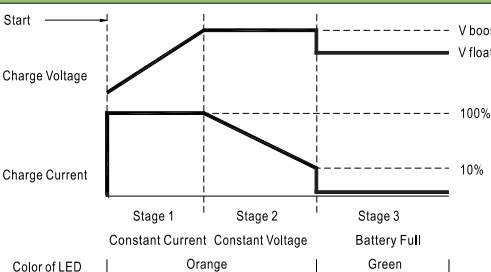
Model No.	Output	Effi.
PB-1000-12	14.4V, 60.0A	85%
PB-1000-24	28.8V, 34.7A	88%
PB-1000-48	57.6V, 17.4A	89%

### Built-in Charging Curves for PB-600 and PB-1000

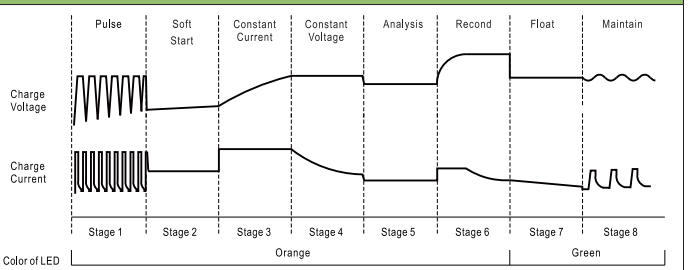
#### 2 Stage Charging Curve



#### 3 Stage Charging Curve



#### 8 Stage Charging Curve



## 30W Green Adaptor with Charging Function

- Universal AC input/ Full range
- Class II power (without earth pin)
- **No load power consumption < 1W**
- Constant current and voltage (CC, CV mode)
- High reliability
- Suitable for high surge current equipment
- Protections: Short circuit / Overload / Over voltage / Over temp.
- 2 color LED indicator for charging status
- Fully enclosed plastic case
- 2 years warranty



AC input voltage range ..... 90~264VAC; 127~370VDC  
 Overload protection ..... 90%~110% constant current mode and over 300% pulsing mode  
 Over voltage protection ..... 110%~135% rated output voltage, clamp by Zener diode  
 Withstand voltage ..... I/P-O/P: 4242VDC, 1minute  
 Working temperature ..... 0~+40°C @ 100% load, 50°C @ 70% load  
 Safety standards ..... UL60950-1, CSA 22.2, TUV EN60950-1  
 EMC standards ..... EN55014-1, EN61000-3-2,3, EN61000-4-2,3,4,5,6,11  
 Length of output cable ..... 180cm of UL1185, 18AWG  
 Standard DC plug ..... P1J: 2.1øx5.5øx11mm / C+, tuning fork type

Model No.	Output	R&N	Effi.
GC30□-0P1J	4.2V, 0~4.00A	50mV	55%
GC30□-1P1J	5.6V, 0~3.99A	50mV	70%
GC30□-11P1J	7.2V, 0~3.00A	80mV	74%
GC30□-2P1J	8.4V, 0~3.00A	80mV	76%
GC30□-4P1J	14.3V, 0~2.09A	100mV	78%
GC30□-5P1J	16.8V, 0~1.60A	100mV	78%
GC30□-6P1J	28.6V, 0~1.04A	150mV	80%

□ = B, U, E; B: IEC320-C8, U: US type plug, E: European type plug

## 120W Green Adaptor with Charging Function



- Universal AC input/ Full range
- **No load power consumption < 0.5W**
- Built-in active PFC function, PF>0.97
- High efficiency up to 91%
- 3 pole AC inlet IEC320-C14
- Class I power (with earth pin)
- Protections: Short circuit / Overload / Over voltage / Over temp.
- Fully enclosed plastic case
- 2 color LED indicator for charging status
- 2 years warranty

AC input voltage range ..... 85~264VAC; 120~370VDC  
 Overload protection ..... 90~110% constant current, auto-recovery  
 Over voltage protection ..... 105%~135% shut down O/P voltage, re-power on to recover  
 Withstand voltage ..... I/P-O/P: 3kVAC  
 Working temperature ..... -30~+70°C (refer to derating curve)  
 Safety standards ..... UL1012(GC120Axx-AD1 only), EN60950-1 approved  
 EMC standards ..... EN55022 class B, FCC part 15 class B, EN61000-3-2,3, EN61000-4-2,3,4,5,6,8,11  
 Length of output cable ..... 120cm of UL2464, 18AWGx 4C  
 Standard DC plug ..... Power DIN 4P with lock type (R7B)

Model No.	Output	Effi.
GC120A12-□	13.6V, 7.5A	86.5%
GC120A24-□	27.2V, 4.42A	90.0%
GC120A48-□	54.4V, 2.21A	91.0%

□ = R7B, AD1 ; R7B= 4 pin power din, AD1= Anderson connector

## 160W Green Adaptor with Charging Function



- Universal AC input/ Full range
- **No load power consumption < 1W**
- High efficiency up to 94%
- Built-in active PFC function, PF>0.94
- 3 pole AC inlet IEC320-C14
- Class I power (with earth pin)
- Protections: Short circuit / Overload / Over voltage / Over temp.
- Fully enclosed plastic case
- 2 color LED indicator for charging status
- 2 years warranty

AC input voltage range ..... 85~264VAC; 120~370VDC  
 Overload protection ..... 90%~110% constant current, auto-recovery  
 Over voltage protection ..... 105%~135% rated output voltage, re-power on to recover  
 Withstand voltage ..... I/P-O/P: 3kVAC  
 Working temperature ..... -30~+70°C (refer to derating curve)  
 Safety standards ..... UL1012(GC160Axx-AD1 only), EN60950-1 approved  
 EMC standards ..... EN55022 class B, FCC part 15 class B, EN61000-3-2,3, EN61000-4-2,3,4,5,6,8,11  
 Length of output cable ..... 120cm of UL2464, 18AWGx 4C  
 Standard DC plug ..... Power DIN 4P with lock type (R7B)

Model No.	Output	Effi.
GC160A12-□	13.6V, 10.0A	89.0%
GC160A24-□	27.2V, 5.89A	92.5%
GC160A48-□	54.4V, 2.95A	94.0%

□ = R7B, AD1 ; R7B= 4 pin power din, AD1= Anderson connector

## 218W Green Adaptor with Charging Function



- Universal AC input/ Full range
- **No load power consumption < 1W**
- High efficiency up to 93%
- Built-in active PFC function
- Cooling by free air convection
- 3 pole AC inlet IEC320-C14
- Class I power (with earth pin)
- Protections: Short circuit / Overload / Over voltage / Over temp.
- 2 color LED indicator for charging status
- 2 years warranty

AC input voltage range ..... 90~264VAC; 127~370VDC  
 Overload protection ..... 90%~110% constant current, auto-recovery  
 Over voltage protection ..... 105%~135% rated output voltage, re-power on to recover  
 Withstand voltage ..... I/P-O/P: 3kVAC  
 Working temperature ..... -30~+60°C (refer to output derating curve)  
 Safety standards ..... TUV EN60950-1, UL1012 (GC220Axx-AD1 only) approved  
 EMC standards ..... EN55022 class B, FCC part 15 class B, EN61000-3-2,3, EN61000-4-2,3,4,5,6,8,11  
 Length of output cable ..... 100cm of UL2464, 16AWGx 4C  
 Standard DC plug ..... Power DIN 4P with lock type (R7B)

Model No.	Output	Effi.
GC220A12-□	13.6V, 13.5A	89.0%
GC220A24-□	27.2V, 8A	92.5%
GC220A48-□	54.4V, 4A	93.0%

□ = R7B, AD1 ; R7B= 4 pin power din, AD1= Anderson connector

### 300W Portable Battery Charger

Under Development

- Adaptor style (Fully enclosed plastic case)
- No load power consumption < 0.5W
- High efficiency up to 92%
- Universal AC input / Full range
- Built-in PFC function
- Protections: Short circuit / Overload / Over voltage / Over temperature
- 2 color LED indicator for charging status
- Cooling by free air convection
- Output model: 54.4V
- 2 years warranty



### 6W Green Power Adaptor

- Universal AC input/ Full range
- No load power consumption < 0.3W
- ErP step 2 compliant
- Meet EISA 2007 (Energy Independence and Security Act)
- 2 pole US / European type plug
- Class II power (without earth pin)
- Protections: Short circuit / Overload / Over voltage
- Pass LPS
- Fully enclosed plastic case
- Approvals: UL/CUL/CB/FCC/CE for GS06U TUV/CB/FCC/CE for GS06E
- 2 years warranty



AC input voltage range ..... 90~264VAC, 127~370VDC  
 AC inrush current(max.) .. Cold start, 50A at 230VAC  
 Overload protection ..... Hiccup mode, auto-recovery  
 Over voltage protection ... Clamp by zener diode > 120%  
 Withstand voltage ..... I/P-O/P: 4242VDC, 1minute  
 Working temperature ..... 0~+40°C @ 100% load, 50°C @ 70% load  
 Safety standards ..... UL60950-1, CSA 22.2, TUV EN60950-1  
 EMC standards ..... EN55022, EN61000-3-2,3, EN61000-4-2,3,4,5,6,11, FCC part 15 class B  
 Length of output cable ..... 180cm of UL1185, 20AWG

Model No.	Output	Tol.	R&N	Effi.
GS06□-1P1J	5V, 0~1.00A	±5%	50mV	68%
GS06□-11P1J	7.5V, 0~0.80A	±5%	80mV	74%
GS06□-2P1J	9V, 0~0.66A	±5%	80mV	75%
GS06□-3P1J	12V, 0~0.50A	±3%	100mV	77%
GS06□-4P1J	15V, 0~0.40A	±3%	120mV	78%
GS06□-5P1J	18V, 0~0.33A	±3%	150mV	78%
GS06□-6P1J	24V, 0~0.25A	±2%	180mV	82%
GS06□-8P1J	48V, 0~0.125A	±2%	200mV	84%

□ = U: American 2P ; E: European 2P

### 12W Green Power Adaptor

- Universal AC input/ Full range
- No load power consumption < 0.3W
- ErP step 2 compliant
- Meet EISA 2007 (Energy Independence and Safety Act)
- 2 pole US / European type plug
- Class II power (without earth pin)
- Protections: Short circuit / Overload / Over voltage / Over temp.
- Pass LPS
- Fully enclosed plastic case
- Approvals: UL/CUL/BSMI/CB/FCC for GS12U TUV/CB/CE for GS12E
- 2 years warranty



AC input voltage range .... 90~264VAC, 127~370VDC  
 AC inrush current(max.) .. Cold start, 45A at 230VAC  
 Overload protection ..... Hiccup mode, auto-recovery  
 Over voltage protection ... 115%~135% clamp by zener diode  
 Withstand voltage ..... I/P-O/P: 3KVAC, 1minute  
 Working temperature ..... 0~+40°C @ 100% load, 50°C @ 70% load  
 Safety standards ..... UL60950-1, CSA 22.2, BSMI CNS14336, TUV EN60950-1  
 EMC standards ..... EN55022, EN61204-3, EN61000-3-2,3, EN61000-4-2,3,4,5,6,8,11, FCC part15 class B

Model No.	Output	Tol.	R&N	Effi.
GS12□05-P1I	5V, 0~2.00A	±5%	75mV	76.0%
GS12□07-P1I	7.5V, 0~1.60A	±4%	90mV	78.5%
GS12□09-P1I	9V, 0~1.33A	±4%	90mV	78.5%
GS12□12-P1I	12V, 0~1.00A	±3%	120mV	78.5%
GS12□15-P1I	15V, 0~0.80A	±3%	150mV	80.0%
GS12□18-P1I	18V, 0~0.67A	±3%	180mV	80.0%
GS12□24-P1I	24V, 0~0.50A	±3%	200mV	80.5%

□ = U: American 2P ; E: European 2P

### 15W Green Power Adaptor

- Universal AC input/ Full range
- No load power consumption < 0.3W
- ErP step 2 compliant
- Meet EISA 2007 (Energy Independence and Security Act)
- Pass LPS
- Protections: Short circuit / Overload / Over voltage
- Fully enclosed plastic case
- Approvals: UL/CUL/TUV/CB/FCC/CE for GS15A/B TUV/CB/FCC/CE for GS15E
- 2 years warranty



AC input voltage range ..... 90~264VAC, 127~370VDC  
 AC inrush current(max.) .... Cold start, 50A at 230VAC  
 Overload protection ..... Hiccup mode, auto-recovery  
 Over voltage protection ..... Clamp by zener diode > 120%  
 Withstand voltage ..... I/P-O/P: 3kVAC, I/P-FG: 1.5kVAC, 1 minute  
 Working temperature ..... 0~+40°C @ 100% load, 50°C @ 70% load  
 Safety standards ..... UL60950-1, CSA 22.2, TUV EN60950-1 approved  
 EMC standards ..... EN55022-B, EN61000-3-2,3, EN61000-4-2,3,4,5,6,11, FCC part 15 class B  
 Length of output cable ..... 180cm of UL1185, 18AWG  
 Standard DC plug ..... P1J: 2.1øx5.5øx11mm / C+, tuning fork type (refer to page 52 for DC plug list)

Order No.	Output	Tol.	R&N	Effi.
GS15□-1P1J	5.0V, 0~2.40A	±5%	50mV	75%
GS15□-11P1J	7.5V, 0~1.60A	±5%	80mV	78%
GS15□-2P1J	9.0V, 0~1.66A	±5%	80mV	80%
GS15□-3P1J	12V, 0~1.25A	±3%	80mV	80%
GS15□-4P1J	15V, 0~1.00A	±3%	100mV	80%
GS15□-5P1J	18V, 0~0.83A	±3%	120mV	81%
GS15□-6P1J	24V, 0~0.62A	±2%	150mV	83%
GS15□-8P1J	48V, 0~0.31A	±2%	240mV	85%

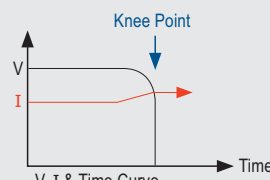
□ = A: IEC320-C14 ; B: IEC320-C8

E: European 2P ; U: American 2P

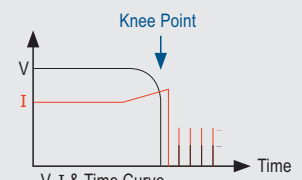
#### ► Special Models Suitable for High Surge Current

GS06 and GS15 also have models with "constant current limiting" instead of "hiccup type" as the overload protection which are suitable for peak load usage. Please refer to the overload curves that specify the output voltage / output current characteristics of these two overload protection types. If you are interested in the models with "constant current limiting" function, please contact with your sales representative for details!

#### Constant Current Limiting



#### Hiccup mode current limiting



# Green Adaptor 12~24W Single Output and Interchangeable Type



## ■ Features

- Interchangeable AC plugs (plug kit sold separately)
- Universal AC input / Full range
- No load power consumption <0.3W
- ErP step 2 compliant
- Meet EISA 2007 (Energy Independence and Security Act )
- Class II power (without earth pin)
- Protections: Short circuit / Over voltage / Overload
- Fully enclosed plastic case
- LED indicator for power on
- Pass LPS
- Approvals:  
UL / CUL / TUV / CCC / CB / FCC / CE / C-Tick
- 2 years warranty

## ■ General Specification (Please refer to [www.meanwell.com](http://www.meanwell.com) for detail spec.)



AC input voltage range	90~264VAC / 0.4A for GE12; 90~264VAC / 0.7A for GE18/24
AC inrush current (max.)	Cold start, 40A at 100VAC; 80A at 230VAC
Overload protection	Hiccup mode, auto-recovery
Over voltage protection	115%~135% rated output voltage
Setup, rise, hold up time	4000ms, 100ms, 30ms at 230VAC input
Withstand voltage	I/P-O/P:4242VDC, 1 minute
Working temperature	-10~+50°C (refer to output derating curve)
Safety standards	UL60950-1, CSA22.2, EN60950-1, GB4943 approved
EMC standards	EN55022 class B, EN61000-3-2,3, EN61000-4-2,3,4,5,6,8,11, FCC part15 class B, GB9254
Length of output cable	150cm of UL2468, 20AWG for GE12; 150cm of UL2468, 18AWG for GE18/24
Standard DC plug	P1J: 2.1øx5.5øx11mm / C+, tuning fork type (refer to page 52 for DC plug list)

## ■ Wall-mounted (Interchangeable Type)—12W

Order No. (Main body)	Output	Tol.	R&N	Effi.
GE12105-P1J	5V, 0~2.00A	±5%	50mV	74%
GE12107-P1J	7.5V, 0~1.33A	±5%	75mV	77%
GE12109-P1J	9V, 0~1.33A	±5%	100mV	79%
GE12112-P1J	12V, 0~1.00A	±3%	120mV	81%
GE12115-P1J	15V, 0~0.80A	±3%	150mV	82%
GE12118-P1J	18V, 0~0.83A	±3%	180mV	83%
GE12124-P1J	24V, 0~0.625A	±3%	240mV	83%



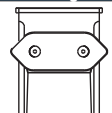

## ■ Wall-mounted (Interchangeable Type)—24W

Order No. (Main body)	Output	Tol.	R&N	Effi.
GE24105-P1J	5V, 0~3.00A	±5%	50mV	76.5%
GE24107-P1J	7.5V, 0~2.00A	±5%	75mV	79.5%
GE24109-P1J	9V, 0~2.22A	±5%	100mV	81.5%
GE24112-P1J	12V, 0~2.00A	±3%	120mV	82.5%
GE24115-P1J	15V, 0~1.60A	±3%	150mV	84.0%
GE24118-P1J	18V, 0~1.33A	±3%	180mV	84.0%
GE24124-P1J	24V, 0~1.00A	±3%	240mV	85.0%
GE24148-P1J	48V, 0~0.50A	±3%	300mV	85.0%

## ■ Wall-mounted (Interchangeable Type)—18W

Order No. (Main body)	Output	Tol.	R&N	Effi.
GE18105-P1J	5V, 0~2.40A	±5%	50mV	75%
GE18107-P1J	7.5V, 0~1.73A	±5%	75mV	79%
GE18109-P1J	9V, 0~2.00A	±5%	100mV	81%
GE18112-P1J	12V, 0~1.50A	±3%	120mV	82%
GE18115-P1J	15V, 0~1.20A	±3%	150mV	84%
GE18118-P1J	18V, 0~1.00A	±3%	180mV	84%
GE18124-P1J	24V, 0~0.75A	±3%	240mV	85%
GE18148-P1J	48V, 0~0.375A	±3%	300mV	85%

## ► Interchangeable AC Inlet Plug

AC Plug Type		
AC Plug Order No.	AC Plug-AU	AC Plug-UK
AC Plug Type		
AC Plug Order No.	AC Plug-EU	AC Plug-US

Note: Main body unit and AC plug should be ordered separately; The main body needs to be used along with any of the AC plug.



**GS18/25A**  
93x 54x 36 mm



**GS18/25B**  
79x 54x 33 mm



**GS18/25U**  
79x 54x 33 mm



**GS18/25E**  
79x 54x 33 mm

### Features

- Universal AC input / Full range
- No load power consumption < 0.3W
- ErP step 2 compliant
- Meet EISA 2007 (Energy Independence and Security Act)
- 2 pole USA / EURO plug or IEC320-C14/C8
- Class I power (with earth pin) only for IEC320-C14
- Full output 5~48V safety approved
- Protections: Short circuit / Overload / Over voltage
- Fully enclosed plastic case
- LED indicator for power on
- Pass LPS
- Approvals:
  - UL / CUL / TUV / BSMI / PSE (A Type only) / CCC (A/B Type only) / CB / FCC / CE for desktop type;
  - TUV / CB / CE for European type plug;
  - UL / CUL / BSMI / CB / FCC for US type plug
- 2 years warranty

### General Specification (Please refer to [www.meanwell.com](http://www.meanwell.com) for detail spec.)

AC input voltage range	90~264VAC / 0.5A for 18W; 90~264VAC / 0.7A for 25W
AC inrush current (max.)	Cold start, 45A at 230VAC
Overload protection	Hiccup mode, auto-recovery
Over voltage protection	105%~135% rated output voltage
Setup, rise, hold up time	500ms, 20ms, 50ms@ 230VAC input
Withstand voltage	I/P - O/P: 4242VDC, 1 minute
Working temperature	0~+50°C (refer to output derating curve )
Safety standards	UL60950-1, CSA 22.2, EN60950-1, BSMI CNS14336, J60950-1(GS18A/GS25A-5V~28V only), CCC GB4943 (A/B type only) approved
EMC standards	EN55022 class B, EN61000-3-2,3, EN61000-4-2,3,4,5,6,8,11, FCC part 15 class B, GB9254
Length of output cable	180cm of UL1185, 18AWG for 15~48V or 120cm, 16AWG for 5V~12V output
Standard DC plug	P1J: 2.1øx5.5øx11mm / C+, tuning fork type (refer to page 52 for DC plug list)

### Desktop—18W



Order No.	Output	Tol.	R&N	Effi.
GS18□05-P1J	5V, 0~3.00A	±5%	50mV	79.5%
GS18□07-P1J	7.5V, 0~2.00A	±5%	80mV	82.0%
GS18□09-P1J	9V, 0~2.00A	±5%	80mV	83.0%
GS18□12-P1J	12V, 0~1.50A	±3%	80mV	85.0%
GS18□15-P1J	15V, 0~1.20A	±3%	100mV	85.0%
GS18□18-P1J	18V, 0~1.00A	±3%	150mV	85.0%
GS18□24-P1J	24V, 0~0.75A	±2%	180mV	86.0%
GS18□28-P1J	28V, 0~0.64A	±2%	240mV	86.5%
GS18□48-P1J	48V, 0~0.375A	±2%	240mV	87.0%

□=A/B ; A: IEC 320-C14 / Class I, B: IEC 320-C8 / Class II

### Desktop—25W



Order No.	Output	Tol.	R&N	Effi.
GS25□05-P1J	5V, 0~4.00A	±5%	50mV	78.5%
GS25□07-P1J	7.5V, 0~2.93A	±5%	80mV	81.5%
GS25□09-P1J	9V, 0~2.77A	±5%	80mV	82.5%
GS25□12-P1J	12V, 0~2.08A	±3%	80mV	84.5%
GS25□15-P1J	15V, 0~1.66A	±3%	100mV	84.5%
GS25□18-P1J	18V, 0~1.38A	±3%	150mV	84.5%
GS25□24-P1J	24V, 0~1.04A	±2%	180mV	85.5%
GS25□28-P1J	28V, 0~0.89A	±2%	240mV	85.5%
GS25□48-P1J	48V, 0~0.52A	±2%	240mV	87.0%

□=A/B ; A: IEC 320-C14 / Class I, B: IEC 320-C8 / Class II

### Wall-mounted—18W



Order No.	Output	Tol.	R&N	Effi.
GS18□05-P1J	5V, 0~3.00A	±5%	50mV	79.5%
GS18□07-P1J	7.5V, 0~2.00A	±5%	80mV	82.0%
GS18□09-P1J	9V, 0~2.00A	±5%	80mV	83.0%
GS18□12-P1J	12V, 0~1.50A	±3%	80mV	85.0%
GS18□15-P1J	15V, 0~1.20A	±3%	100mV	85.0%
GS18□18-P1J	18V, 0~1.00A	±3%	150mV	85.0%
GS18□24-P1J	24V, 0~0.75A	±2%	180mV	86.0%
GS18□28-P1J	28V, 0~0.64A	±2%	240mV	86.5%
GS18□48P1J	48V, 0~0.375A	±2%	240mV	87.0%

□=U/E ; U: US type plug, E: European type plug

### Wall-mounted—25W



Order No.	Output	Tol.	R&N	Effi.
GS25□05-P1J	5V, 0~4.00A	±5%	50mV	78.5%
GS25□07-P1J	7.5V, 0~2.93A	±5%	80mV	81.5%
GS25□09-P1J	9V, 0~2.77A	±5%	80mV	82.5%
GS25□12-P1J	12V, 0~2.08A	±3%	80mV	84.5%
GS25□15-P1J	15V, 0~1.66A	±3%	100mV	84.5%
GS25□18-P1J	18V, 0~1.38A	±3%	150mV	84.5%
GS25□24-P1J	24V, 0~1.04A	±2%	180mV	85.5%
GS25□28-P1J	28V, 0~0.89A	±2%	240mV	85.5%
GS25□48-P1J	48V, 0~0.52A	±2%	240mV	87.0%

□=U/E ; U: US type plug, E: European type plug



### ■ Features

- Universal AC input / Full range
- No load power consumption <0.3W for GS40/60; <0.5W for GS90/120
- ErP step 2 compliant
- Meet EISA 2007 (Energy Independence and Security Act) for full series
- Built-in active PFC function for GS90/120
- 3 pole AC inlet IEC320-C14
- Class I power (with earth pin)
- Protections: Short circuit / Over voltage / Overload / Over temp. (except for GS40)
- Fully enclosed plastic case
- LED indicator for power on
- Pass LPS (except for GS120)
- 2 years warranty

### ■ General Specification (Please refer to [www.meanwell.com](http://www.meanwell.com) for detail spec.)



Order No.	GS40	GS60	GS90	GS120
AC input voltage range	90~264VAC / 1.0A	90~264VAC / 1.4A	90~264VAC / 2.0A	85~264VAC / 1.4A
AC inrush current (max.)	Cold start, 65A at 230VAC		Cold start, 70A at 230VAC	
Overload protection	Range	105%~150% rated output power	110%~150%	105%~160%
	Type	Hiccup mode, auto-recovery		
Over voltage protection	105%~135% rated output voltage			
Setup, rise, hold up time	1000ms, 30ms, 50ms at 230VAC input		1000ms, 20ms, 20ms at 230VAC input	
Withstand voltage	I/P-O/P:3kVAC, I/P-FG: 1.5kVAC			I/P-FG: 3kVAC
Working temperature	-30~+60°C	-30~+50°C		-30~+70°C
Safety standards	UL60950-1, EN60950-1, BSMI CNS14336, CCC GB4943, J60950-1(except for 48V) approved			
EMC standards	EN55022 class B, EN61000-3-2,3, EN61000-4-2,3,4,5,6,8,11, CNS13438, GB9254, FCC part15 class B			
Length of output cable	100cm of UL2464, 16AWG for 5~9V; 100cm of UL1185, 16AWG for 12~15V; 180cm of UL1185, 18AWG for 18~48V		100cm of UL1185, 14AWG for 12~15V; 120cm of UL1185, 16AWG for 19~48V	
Standard DC plug <small>(refer to page 52 for DC plug list)</small>	P1J: 2.1øx5.5øx11mm / C+, tuning fork type		P1M: 2.5øx5.5øx11mm / C+, tuning fork type	
				R7B: Power DIN 4P with lock type P1M: 2.5øx5.5øx11mm/C+, tuning fork type (20~48V only)

### ■ Desktop (IEC 320-C14 / Class I) — 40W

Order No.	Output	Tol.	R&N	Effi.
GS40A05-P1J	5V, 0~5.00A	±5%	100mV	80.5%
GS40A07-P1J	7.5V, 0~5.34A	±5%	100mV	85.5%
GS40A09-P1J	9V, 0~4.45A	±5%	100mV	85.0%
GS40A12-P1J	12V, 0~3.34A	±3%	100mV	89.0%
GS40A15-P1J	15V, 0~2.67A	±3%	100mV	89.5%
GS40A18-P1J	18V, 0~2.22A	±3%	150mV	90.0%
GS40A24-P1J	24V, 0~1.67A	±2.5%	180mV	91.0%
GS40A48-P1J	48V, 0~0.84A	±2.5%	240mV	92.0%

### ■ Desktop (IEC 320-C14 / Class I) — 60W

Order No.	Output	Tol.	R&N	Effi.
GS60A05-P1J	5V, 0~6.00A	±5%	100mV	81.0%
GS60A07-P1J	7.5V, 0~6.00A	±5%	100mV	85.5%
GS60A09-P1J	9V, 0~6.00A	±5%	100mV	87.5%
GS60A12-P1J	12V, 0~5.00A	±3%	100mV	88.0%
GS60A15-P1J	15V, 0~4.00A	±3%	100mV	88.5%
GS60A18-P1J	18V, 0~3.33A	±3%	150mV	88.5%
GS60A24-P1J	24V, 0~2.50A	±3%	180mV	90.0%
GS60A48-P1J	48V, 0~1.25A	±2.5%	240mV	92.0%

### ■ Desktop (IEC 320-C14 / Class I) — 90W

Order No.	Output	Tol.	R&N	Effi.
GS90A12-P1M	12V, 0~6.67A	±5%	80mV	88.0%
GS90A15-P1M	15V, 0~6.00A	±5%	100mV	89.0%
GS90A19-P1M	19V, 0~4.74A	±4%	150mV	89.0%
GS90A24-P1M	24V, 0~3.75A	±3%	180mV	89.5%
GS90A48-P1M	48V, 0~1.87A	±2%	240mV	91.0%

### ■ Desktop (IEC 320-C14 / Class I) — 120W

Order No.	Output	Tol.	R&N	Effi.
GS120A12-R7B	12V, 0~8.5A	±5%	80mV	87.5%
GS120A15-R7B	15V, 0~7.0A	±5%	120mV	89.0%
GS120A20-□	20V, 0~6.0A	±5%	150mV	89.0%
GS120A24-□	24V, 0~5.0A	±3%	180mV	90.0%
GS120A48-□	48V, 0~2.5A	±2%	240mV	91.0%

□= P1M, R7B

### 160W Green Power Adaptor



- Universal AC input / Full range
- No load power consumption < 0.5W
- ErP step 2 compliant
- Meet EISA 2007(Energy Independence and Security Act)
- Built-in active PFC function, PF>0.95
- 3 pole AC inlet IEC320-C14
- Class I power (with earth pin)
- Protections: Short circuit / Overload  
Over voltage / Over temp.
- Fully enclosed plastic case
- LED indicator for power on
- 2 years warranty

AC input voltage range ..... 85~264VAC or 120~370VDC  
 Overload protection ..... 105%~135% rated output power, hiccup mode,  
 auto-recovery  
 Over voltage protection ..... 105%~135% rated output voltage (typical)  
 Hold up time ..... 20ms at full load  
 Withstand voltage ..... I/P-O/P:3kVAC, 1 minute  
 Working temperature ..... -30~+70°C (refer to output derating curve)  
 Safety standards ..... UL60950-1, TUV EN60950-1, BSMI CNS14336,  
 CCC GB4943, J60950-1(except for 48V) approved  
 EMC standards ..... EN55022 class B, EN61000-3-2,3,  
 EN61000-4-2,3,4,5,6,8,11, FCC part 15 class B,  
 GB9254-1 classB, CNS13438 classB  
 Length of output cable ..... 120cm of UL2464, 18AWGx4C  
 Standard DC plug ..... Power DIN 4P with lock type (R7B)

Order No.	Output	Tol.	R&N	Effi.
GS160A12-R7B	12V, 0~11.5A	±5%	80mV	89.0%
GS160A15-R7B	15V, 0~9.6A	±5%	100mV	90.0%
GS160A20-R7B	20V, 0~8.0A	±4%	150mV	92.0%
GS160A24-R7B	24V, 0~6.67A	±3%	180mV	92.5%
GS160A48-R7B	48V, 0~3.34A	±3%	240mV	94.0%

### 220W Green Power Adaptor



- Universal AC input / Full range
- No load power consumption < 0.5W
- ErP step 2 compliant
- Meet EISA 2007(Energy Independence and Security Act)
- Built-in active PFC function, PF>0.91
- 3 pole AC inlet IEC320-C14
- Class I power (with earth pin)
- Protections: Short circuit / Overload  
Over voltage / Over temp.
- Fully enclosed plastic case
- LED indicator for power on
- 2 years warranty

AC input voltage range ..... 90~264VAC or 127~370VDC  
 Overload protection ..... 105%~135% rated output power, hiccup mode,  
 auto-recovery  
 Over voltage protection ..... 105%~135% rated output voltage (typical)  
 Hold up time ..... 20ms at full load  
 Withstand voltage ..... I/P-O/P:3kVAC, 1 minute  
 Working temperature ..... -30~+60°C (refer to output derating curve)  
 Safety standards ..... UL60950-1, TUV EN60950-1, BSMI CNS14336,  
 CCC GB4943, J60950-1(except for 48V) approved  
 EMC standards ..... EN55022 class B, EN61000-3-2,3,  
 EN61000-4-2,3,4,5,6,8,11,  
 FCC part 15 class B, GB9254 class B,  
 CNS13438 class B  
 Length of output cable ..... 100cm of UL1185, 16AWGx4C  
 Standard DC plug ..... Power DIN 4P with lock type (R7B)

Order No.	Output	Tol.	R&N	Effi.
GS220A12-R7B	12V, 0~15.0A	±5%	80mV	90.0%
GS220A15-R7B	15V, 0~13.4A	±5%	100mV	90.0%
GS220A20-R7B	20V, 0~11.0A	±4%	150mV	92.0%
GS220A24-R7B	24V, 0~9.20A	±3%	180mV	93.5%
GS220A48-R7B	48V, 0~4.60A	±2%	240mV	94.5%

### 5W Green USB Adaptor



- Universal AC input / Full range
- No load power consumption < 0.3W
- Meet EISA 2007(Energy Independence and Security Act)
- 2 pole US type plug
- Class II power (without earth pin)
- Protections: Short circuit / Overload  
Over voltage / Over temp.
- Compact size
- 100% full load burn-in test
- Fully enclosed plastic case
- Low cost, high reliability
- 2 years warranty

AC input voltage range ..... 90~264VAC or 127~370VDC  
 Overload protection ..... 105%~135% rated output power, hiccup mode,  
 auto-recovery  
 Over voltage protection ..... 105%~160% rated output voltage (typical)  
 Hold up time ..... 15ms at full load  
 Withstand voltage ..... I/P-O/P: 4242VDC, 1 minute  
 Working temperature ..... -20~+50°C (refer to output derating curve)  
 Safety standards ..... UL60950-1, CSA22.2 approved  
 EMC standards ..... FCC part15  
 Standard DC plug ..... USB Type A

Order No.	Output	Tol.	R&N	Effi.
GS05U-USB	5V, 0~1A	±4%	90mV	69%

### Compliance List of ErP & EISA 2007

Series	Regulation	EISA 2007
	ErP Step 2	
GS05U-USB	-----	•
GS06	•	•
GS12	•	•
GE12	•	•
GS15	•	•
GS18	•	•
GE18	•	•
GE24	•	•
GS25	•	•
GS40	•	•
GS60	•	•
GS90	•	•
GS120	•	•
GS160	•	•
GS220	•	•



#### Best products also need best service.

We have authorized distributors all over the world. They have sufficient stock for your prompt delivery. Also they can offer you technical support & RMA services. Please contact your local distributors for more product information. You can also contact us at [info@meanwell.com](mailto:info@meanwell.com) for information of your local distributors.

### 25W AC-DC Triple Output

- Universal AC input / Full range
- Protections: Short circuit / Overload / Over voltage / Over temp.
- Fully enclosed plastic case
- Fixed switching frequency and regulation
- Topology: Top switch circuit
- LED indicator for power on
- 1 year warranty



AC input voltage range ..... 90~264VAC / 0.8A  
 AC inrush current(max.) ..... Cold start, <60A peak at 230VAC  
 Overload protection ..... Hiccup mode, auto-recovery  
 Over voltage protection ..... 110~140% of +5V output  
 Setup, rise, hold up time ... 200ms, 50ms, 16ms at full load  
 Withstand voltage ..... I/P-O/P:3kVAC, I/P-FG:1.5kVAC, 1 minute  
 Working temperature ..... 0~+40°C (refer to output load derating curve)  
 Safety standards ..... UL1950, CSA 22.2, TUV EN60950-1 approved  
 EMC standards ..... EN55022 class B, EN61000-3-2,3, EN61000-4-2,3,4,5,6,11  
 Standard output cable ..... 150cm of UL2464  
 Length of output cable ..... R1B: DIN 5P

#### ◆ 25W — Triple output (IEC 320-C14 / Class I)

Order No.	Output	Tol.	R&N	Effi.	Max.
P25A13D-R1B	5V, 0.5~2.5A	±5%	50mV	72%	25W
	12V, 0.1~0.8A	±5%	100mV		
	-12V, 0.1~0.3A	±3%	100mV		
P25A14E-R1B	5V, 0.5~2.5A	±5%	50mV	74%	25W
	15V, 0.1~0.5A	±5%	100mV		
	-15V, 0.1~0.3A	±3%	100mV		

#### ◆ 25W — Triple output (IEC 320-C8 / Class II)

Order No.	Output	Tol.	R&N	Effi.	Max.
P25B13D-R1B	5V, 0.5~2.5A	±5%	50mV	72%	25W
	12V, 0.1~0.8A	±5%	100mV		
	-12V, 0.1~0.3A	±3%	100mV		
P25B14E-R1B	5V, 0.5~2.5A	±5%	50mV	74%	25W
	15V, 0.1~0.5A	±5%	100mV		
	-15V, 0.1~0.3A	±3%	100mV		



#### To Satisfy our customers is our goal —

- High Quality
- Low Cost
- Prompt Delivery
- Best Service



#### Best products also need best service.

We have authorized distributors all over the world. They have sufficient stock for your prompt delivery. Also they can offer you technical support & RMA services. Please contact your local distributors for more product information. You can also contact us at [info@meanwell.com](mailto:info@meanwell.com) for information of your local distributors.

### 50W AC-DC Triple Output



- 3 pole AC inlet IEC320-C14
- Class I power (with earth pin)
- Protections: Short circuit / Overload / Over voltage
- Fully enclosed plastic case
- LED indicator for power on
- 1 year warranty

AC input voltage range ..... 90~264VAC / 1.6A  
 AC inrush current(max.) ..... Cold start, <40A at 230VAC  
 Overload protection ..... Hiccup mode, auto-recovery  
 Over voltage protection ..... 110~140% for +5V output  
 Hold up time ..... 12ms at full load  
 Withstand voltage ..... I/P-O/P:3kVAC, I/P-FG:1.5kVAC, 1 minute  
 Working temperature ..... 0~+40°C (refer to output load derating curve)  
 Safety standards ..... UL1950, TUV EN60950-1 approved  
 EMC standards ..... EN55022 class B, EN61000-3-2,3, EN61000-4-2,3,4,5,6,11  
 Length of output cable ..... 120cm of UL2464  
 Standard DC plug..... R1B: DIN 5P

Pin Assignment	
	PIN1: COM
	PIN2: COM
	PIN3: +5VDC
	PIN4: -Vout
	PIN5: +Vout

Order No.	Output	Tol.	R&N	Effi.	Max.
P50A13D-R1B	5V, 0.5~4.0A	±6%	50mV	72%	50W
	12V, 0.5~2.0A	±10%	100mV		
	-12V, 0.1~0.5A	±12%	100mV		
P50A14E-R1B	5V, 0.5~4.0A	±6%	50mV	74%	50W
	15V, 0.5~1.5A	±10%	100mV		
	-15V, 0.1~0.5A	±12%	100mV		

### Optional DC Plug List

Tuning Fork Style	Type	A	B	C	
		OD	ID	L	
	P1I	5.5	2.1	9.5	
	P1J	5.5	2.1	11.0	
	P1L	5.5	2.5	9.5	
	P1M	5.5	2.5	11.0	
Barrel Style	Type	A	B	C	
		OD	ID	L	
		P2I	5.5	2.1	9.5
		P2J	5.5	2.1	11.0
P2L	5.5	2.5	9.5		
P2M	5.5	2.5	11.0		
DIN 5 Pin	Type	Pin Assignment			
		Single	Triple		
	R1B	1	COM	COM	
		2	COM	COM	
		3	Vout	+5V	
		4	COM	-Vout	
		5	Vout	+Vout	
DIN 4 Pin with lock	Type	Pin Assignment			
		PIN No.	Output		
	R7B	1	+Vout		
		2	GND		
		3	GND		
		4	+Vout		

► Minimum order quantity is varied for different models.



### Features

- Universal AC input / Full range
- Full output 3~48V safety approved
- Protections: Short circuit / Over voltage / Overload / Over temp.
- Fully enclosed plastic case
- Fixed switching frequency and regulation
- Topology: Top switch circuit
- Low leakage current  $\leq 0.3\text{mA}$
- LED indicator for power on
- Medical safety approved
- 2 years warranty

### General Specification (Please refer to [www.meanwell.com](http://www.meanwell.com) for detail spec.)



Order No.	MES30A	MES30C	MES50A	MES30B
AC input voltage range	90~264VAC / 0.8~0.4A			
AC inrush current (max.)	Cold start, <35A at 230VAC			
Overload protection	Hiccup mode, auto-recovery			
Over voltage protection	110%~140% rated output voltage		110%~150% rated output voltage	110%~140% rated output voltage
Setup, rise, hold up time	300ms, 50ms, 16ms at full load			
Withstand voltage	I/P-O/P:5656VDC, I/P-FG:2828VDC, 1 minute			I/P-O/P:5656VDC, 1 minute
Working temperature	0~+65°C (refer to output load derating curve)			
Safety standards	UL60601-1, TUV EN60601-1, IEC601-1 approved			
EMC standards	EN55011 class B, EN61000-3-2,3, EN61000-4-2,3,4,5,6,8,11 (EN60601-1-2)			
Standard output cable	180cm of UL1185,18AWG for 9~48V output ; 120cm of SPT-2,16AWG for 3~7.5V output			
Standard output plug	P1J: 2.1øx5.5øx11mm / C+, tuning fork type (refer to page 52 for DC plug list)			

### Desktop (IEC 320-C14 / Class I)— 30W

Order No.	Output	Tol.	R&N	Effi.
MES30A-0P1J	3.3V, 0~5.00A	±8%	30mV	56%
MES30A-1P1J	5V, 0~5.00A	±5%	30mV	70%
MES30A-1-1P1J	7.5V, 0~3.33A	±4%	40mV	72%
MES30A-2P1J	9V, 0~3.33A	±4%	50mV	74%
MES30A-3P1J	12V, 0~2.50A	±3%	50mV	76%
MES30A-4P1J	15V, 0~2.00A	±2%	60mV	78%
MES30A-5P1J	18V, 0~1.66A	±2%	70mV	78%
MES30A-6P1J	24V, 0~1.25A	±2%	80mV	80%
MES30A-7P1J	28V, 0~1.07A	±2%	100mV	80%
MES30A-8P1J	48V, 0~0.62A	±2%	100mV	82%

### Desktop (IEC 320-C6 / Class I)— 30W

Order No.	Output	Tol.	R&N	Effi.
MES30C-0P1J	3.3V, 0~5.00A	±8%	30mV	56%
MES30C-1P1J	5V, 0~5.00A	±5%	30mV	70%
MES30C-1-1P1J	7.5V, 0~3.33A	±4%	40mV	72%
MES30C-2P1J	9V, 0~3.33A	±4%	50mV	74%
MES30C-3P1J	12V, 0~2.50A	±3%	50mV	76%
MES30C-4P1J	15V, 0~2.00A	±2%	60mV	78%
MES30C-6P1J	24V, 0~1.25A	±2%	80mV	80%
MES30C-8P1J	48V, 0~0.62A	±2%	100mV	82%

### Desktop (IEC 320-C8 / Class II)— 30W

Order No.	Output	Tol.	R&N	Effi.
MES30B-0P1J	3.3V, 0~5.00A	±8%	30mV	56%
MES30B-1P1J	5V, 0~5.00A	±5%	30mV	70%
MES30B-1-1P1J	7.5V, 0~3.33A	±4%	40mV	72%
MES30B-2P1J	9V, 0~3.33A	±4%	50mV	74%
MES30B-3P1J	12V, 0~2.50A	±3%	50mV	76%
MES30B-4P1J	15V, 0~2.00A	±2%	60mV	78%
MES30B-6P1J	24V, 0~1.25A	±2%	80mV	80%
MES30B-8P1J	48V, 0~0.62A	±2%	100mV	82%

### Desktop (IEC 320-C14 / Class I)— 50W

Order No.	Output	Tol.	R&N	Effi.
MES50A-0R1B	3.3V, 0~7.50A	±10%	50mV	60%
MES50A-1R1B	5V, 0~7.50A	±6%	50mV	67%
MES50A-1-1R1B	7.5V, 0~5.33A	±5%	75mV	70%
MES50A-2P1J	9V, 0~5.00A	±5%	90mV	72%
MES50A-3P1J	12V, 0~4.16A	±3%	100mV	74%
MES50A-4P1J	15V, 0~3.33A	±3%	100mV	75%
MES50A-5P1J	18V, 0~2.77A	±3%	150mV	78%
MES50A-6P1J	24V, 0~2.08A	±2%	150mV	78%
MES50A-7P1J	28V, 0~1.78A	±2%	150mV	80%
MES50A-8P1J	48V, 0~1.04A	±2%	200mV	80%

### 35W, 50W, 75W Single Output

- Universal AC input / Full range
- Protections: Short circuit / Overload / Over voltage / Battery polarity (by fuse)
- Cooling by free air convection
- LED indicator for power on
- **No load power consumption <0.75W**
- Temperature compensation function (by external thermistor)
- 100% full load burn-in test
- 2 years warranty

UL CB CE



AC input voltage range ..... 85~264VAC/ 120~370VDC  
 AC inrush current ..... Cold start, 45A  
 DC adjustment range ..... 95%~115% rated output voltage  
 Overload protection ..... 120%~165%, hiccup mode, auto-recovery  
 Over voltage protection ..... 120%~140%, rated output voltage  
 Setup, rise, hold up time .... 500ms, 1200ms, 50ms at full load and 230VAC  
 Withstand voltage ..... I/P-O/P: 3kVAC, I/P-FG: 1.5kVAC, 1minute  
 Working temperature ..... -20~60°C (refer to output derating curve)  
 Safety standards ..... UL60950-1 approved  
 EMC standards ..... EN55022 class B, EN61000-3-2,3, EN61000-4-2,3,4,5,6,8,11, EN55024, EN61000-6-1  
 Connection ..... I/P: 3 poles, O/P: 2 poles screw terminal  
 Packing ..... 0.37Kg ; 45pcs / 17.7Kg / 1CUFT (SCP-35)  
 0.45Kg ; 30pcs / 14.5Kg / 0.95CUFT (SCP-50)  
 0.5Kg ; 30pcs / 16.0Kg / 1CUFT (SCP-75)

#### SCP-35 Series

Model No.	Output	Tol.	R&N	Effi.	Max.
SCP-35-12	13.8V, 0~2.6A	±2%	120mV	83%	36W
SCP-35-24	27.6V, 0~1.4A	±1%	200mV	86%	39W

#### SCP-50 Series

Model No.	Output	Tol.	R&N	Effi.	Max.
SCP-50-12	13.8V, 0~3.6A	±2%	120mV	81%	50W
SCP-50-24	27.6V, 0~1.8A	±1%	200mV	85%	50W

#### SCP-75 Series

Model No.	Output	Tol.	R&N	Effi.	Max.
SCP-75-12	13.8V, 0~5.4A	±2%	120mV	81%	75W
SCP-75-24	27.6V, 0~2.7A	±1%	200mV	85%	75W



We provide specification, drawing, test report and more information, please visit our website — <http://www.meanwell.com>



**Best products also need best service.**  
 We have authorized distributors all over the world. They have sufficient stock for your prompt delivery. Also they can offer you technical support & RMA services. Please contact your local distributors for more product information. You can also contact us at [info@meanwell.com](mailto:info@meanwell.com) for information of your local distributors.

### 60W Single Output with Battery Charger (UPS Function)

UL CB CE



AC input voltage range ..... 90~264VAC; 127~370VDC  
 AC inrush current ..... Cold start, 30A at 115VAC, 60A at 230VAC  
 DC adjustment range ..... CH1, 13.8V: 12~15V; 27.6V: 24~29V  
 Overload protection ..... 105%~150% hiccup mode, auto-recovery  
 Over voltage protection ..... CH1: 105%~135% rated output voltage  
 Withstand voltage ..... I/P-O/P: 3kVAC, I/P-FG: 1.5kVAC, 1minute  
 Working temperature ..... -20~+70°C (refer to output derating curve)  
 Safety standards ..... UL60950-1, TUV EN60950-1 approved  
 EMC standards ..... EN55022 class B, EN61000-3-2,3, EN61000-4-2,3,4,5,6,8,11  
 Connection ..... 3+6P/ 3.96mm pitch, JST: B3P/B6P-VH  
 Packing ..... 0.13kg ; 96pcs / 13.5kg / 0.89CUFT (PCB)  
 0.29kg ; 45pcs / 14.0kg / 0.67CUFT (case)

Model No.	Output	Tol.	R&N	Effi.	Max.
PSC-60A□	13.8V, 0~4.3A	±1%	120mV	84%	59W
	13.8V, 0~1.50A	(Charger)			
PSC-60B□	27.6V, 0~2.15A	±1%	240mV	84%	59W
	27.6V, 0~0.75A	(Charger)			

□ = blank, -C ; Blank: PCB Type, -C: Enclosed Type

### 100W Single Output with Battery Charger (UPS Function)

UL CB CE



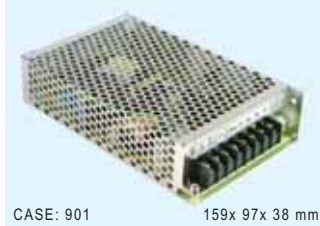
AC input voltage range ..... 90~264VAC; 127~370VDC  
 AC inrush current ..... Cold start, 35A at 115VAC, 70A at 230VAC  
 DC adjustment range ..... CH1, 13.8V: 12~15V; 27.6V: 24~29V  
 Overload protection ..... 105%~150% hiccup mode, auto-recovery  
 Over voltage protection ..... CH1: 105%~135% rated output voltage  
 Withstand voltage ..... I/P-O/P: 3kVAC, I/P-FG: 1.5kVAC, 1minute  
 Working temperature ..... -20~+70°C (refer to output derating curve)  
 Safety standards ..... UL60950-1, TUV EN60950-1 approved  
 EMC standards ..... EN55022 class B, EN61000-3-2,3, EN61000-4-2,3,4,5,6,8,11  
 Connection ..... 3+8P/ 3.96mm pitch, 4P/2.5mm pitch, JST:B3P/B8P-VH, B4B-XH  
 Packing ..... 0.23kg ; 63pcs / 15.5kg / 1.35CUFT (PCB)  
 0.44kg ; 32pcs / 15.0kg / 0.64CUFT (case)

Model No.	Output	Tol.	R&N	Effi.	Max.
PSC-100A□	13.8V, 0~7.0A	±1%	100mV	86%	100W
	13.8V, 0~2.5A	(Charger)			
PSC-100B□	27.6V, 0~3.50A	±1%	100mV	88%	101W
	27.6V, 0~1.25A	(Charger)			

□ = blank, -C ; Blank: PCB Type, -C: Enclosed Type



## 55W 1~2 Output with Battery Charger



CASE: 901 159x 97x 38 mm

- Universal AC input / Full range
- Protections: Short circuit / Overload / Over voltage
- Battery low protection (except for ADS series)
- DC alarm signal (optional)
- Cooling by free air convection
- Fixed switching frequency at 45kHz
- Approvals: UL / CUL / TUV / CB / CE
- 100% full load burn-in test
- 2 years warranty

AC input voltage range ..... 88~264VAC; 124~370VDC  
 AC inrush current ..... Cold start, 20A at 115VAC, 40A at 230VAC  
 DC adjustment range ..... 12V, 24V:  $\pm 10\%$   
 13.8V: 12~14.5V; 27.6V: 24~29V  
 Overload protection ..... 105%~150% hiccup mode, auto-recovery  
 Over voltage protection ..... CH1: 105%~135% rated output voltage  
 Setup, rise, hold up time ..... 800ms, 50ms, 80ms at full load and 230VAC  
 Withstand voltage ..... I/P-O/P:3kVAC, I/P-FG:1.5kVAC, 1minute  
 Working temperature ..... -10~60°C(refer to output derating curve)  
 Safety standards ..... UL60950-1, TUV EN60950-1 approved  
 EMC standards ..... EN55022 class B, EN61000-3-2,3, EN61000-4-2,3,4,5,6,8,11  
 Connection ..... 8P/ 8.25mm pitch terminal block  
 Packing ..... 0.57kg ; 24pcs / 13.7kg / 0.75CUFT

### Single Output with 5V, 4A DC-DC Converter

Model No.	Output	Tol.	R&N	Effi.	Max.
ADS-5512	12V, 0~4.0A	$\pm 1\%$	100mV	76%	51W
	5V, 0~4.0A	$\pm 3\%$	100mV		
ADS-5524	24V, 0~2.5A	$\pm 1\%$	100mV	79%	58W
	5V, 0~4.0A	$\pm 3\%$	100mV		

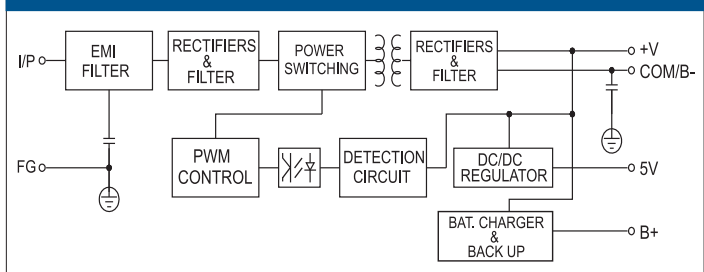
### Single Output with Battery Charger (UPS Function)

Model No.	Output	Tol.	R&N	Effi.	Max.
AD-55A	13.8V, 0~4.0A	$\pm 1\%$	100mV	71%	51W
	13.4V, 0~0.23A	(Charger)			
AD-55B	27.6V, 0~2.0A	$\pm 1\%$	100mV	74%	54W
	26.5V, 0~0.16A	(Charger)			

### Dual Output with Battery Charger (UPS Function)

Model No.	Output	Tol.	R&N	Effi.	Max.
ADD-55A	13.8V, 0~3.50A	$\pm 1\%$	100mV	71%	53W
	5V, 0~4.00A	$\pm 3\%$	100mV		
	13.4V, 0~0.23A	(Charger)			
ADD-55B	27.6V, 0~2.00A	$\pm 1\%$	150mV	74%	55W
	5V, 0~4.00A	$\pm 3\%$	150mV		
	26.5V, 0~0.16A	(Charger)			

## Block Diagram



## 155W 1~2 Output with Battery Charger and PFC Function



CASE: 906B 199x 110x 50 mm

- Universal AC input / Full range
- PF>0.92@230VAC and full load
- Protections: Short circuit / Overload / Over voltage
- Battery low protection (except for ADS series)
- Cooling by free air convection
- Fixed switching frequency at 134kHz
- Approvals: UL / CUL / TUV / CB / CE
- 100% full load burn-in test
- 2 years warranty

AC input voltage range ..... 88~264VAC; 124~370VDC  
 AC inrush current ..... Cold start, 20A at 115VAC, 40A at 230VAC  
 DC adjustment range ..... 12V, 24V, 48V:  $\pm 10\%$   
 13.8V: 12~14.5V; 27.6V: 24~29V; 54V: 48~58V  
 Overload protection ..... CH1,2: 105%~135%, charger: 0.51~0.9A; constant current limiting, auto-recovery  
 Over voltage protection ..... CH1: 115%~135% rated output voltage  
 Setup, rise, hold up time ... 1000ms, 90ms, 24ms at full load and 230VAC  
 Withstand voltage ..... I/P-O/P:3kVAC, I/P-FG:1.5kVAC, 1minute  
 Working temperature ..... With fan:-10~50°C@100% , 60°C@80% load  
 Without fan:-10~50°C@70% , 60°C@50% load  
 Safety standards ..... UL60950-1, TUV EN60950-1 approved  
 EMC standards ..... EN55022 class B, EN61000-3-2,3, EN61000-4-2,3,4,5,6,8,11  
 Connection ..... 8P/ 9.5mm pitch terminal block  
 Packing ..... 1.0kg ; 16pcs / 16.0kg / 0.95CUFT

### Single Output with 5V, 3A DC-DC Converter

Model No.	Output	Tol.	R&N	Effi.	Max.
ADS-15512	12V, 0~12.5A	$\pm 2\%$	150mV	77%	153W
	5V, 0~3.00A	$\pm 3\%$	100mV		
ADS-15524	24V, 0~6.50A	$\pm 1\%$	150mV	82%	154W
	5V, 0~3.00A	$\pm 3\%$	100mV		
ADS-15548	48V, 0~3.20A	$\pm 1\%$	240mV	82%	154W
	5V, 0~3.00A	$\pm 5\%$	100mV		

### Single Output with Battery Charger (UPS Function)

Model No.	Output	Tol.	R&N	Effi.	Max.
AD-155A	13.8V, 0~11.5A	$\pm 2\%$	150mV	80%	152W
	13.3V, 0~0.50A	(Charger)			
AD-155B	27.6V, 0~5.50A	$\pm 1\%$	150mV	84%	152W
	27.1V, 0~0.50A	(Charger)			
AD-155C	54.0V, 0~2.70A	$\pm 1\%$	240mV	84%	157W
	53.5V, 0~0.50A	(Charger)			

### Dual Output with Battery Charger (UPS Function)

Model No.	Output	Tol.	R&N	Effi.	Max.
ADD-155A	13.8V, 0~10.5A	$\pm 1\%$	150mV	78%	153W
	5V, 0~3.00A	$\pm 3\%$	100mV		
	13.3V, 0~0.50A	(Charger)			
ADD-155B	27.6V, 0~5.00A	$\pm 1\%$	200mV	81%	153W
	5V, 0~3.00A	$\pm 3\%$	100mV		
	27.1V, 0~0.50A	(Charger)			
ADD-155C	54.0V, 0~2.50A	$\pm 1\%$	240mV	81%	150W
	5V, 0~3.00A	$\pm 5\%$	100mV		
	53.5V, 0~0.20A	(Charger)			

### 200~300W Industrial ATX PC Power Supply



• 240x 83x 40 mm (200 / 250W)  
• 260x 83x 40 mm (300W)

- Universal AC input / Full range
- Low profile for 1U/2U rack system
- Built-in active PFC function, PF>0.94
- Protections: Short circuit / Overload / Over voltage
- With power good and fail signal output
- Forced air cooling by built-in DC fan
- Remote sense on CH1, CH2
- PS-ON signal input
- 24V/3A output with 7A peak capability (IPC-300B)
- 2 years warranty

Hold up time ..... 16ms min. at full load and 115Vac  
 Overload protection ..... 105%~150% shut off, AC recycle to re-start  
 Over voltage protection ..... 110%~140% rated output voltage for CH1~CH3  
 Withstand voltage ..... I/P-O/P, I/P-FG:1.5kVAC, 1minute  
 Working temperature ..... -10~60°C (refer to output derating curve)  
 Safety standards ..... UL60950-1, TUV EN60950-1 approved  
 EMC standards ..... EN55022 class B, EN61000-3-2,-3  
 EN61000-4-2,3,4,5,6,8,11

Model No.	Output	Tol.	R&N	Effi.	Max.	
IPC-200	3.3V, 0~15A	±5%	50mV	75%	200W	
	5V, 1~25A	±5%	50mV			
	12V, 1~13A	±7%	120mV			
	-5V, 0~0.5A	±8%	100mV			
	-12V, 0.1~1.0A	±10%	120mV			
IPC-250	5VSB, 0~2.0A	±5%	50mV	75%	250W	
	3.3V, 0~20A	±5%	50mV			
	5V, 1~25A	±5%	50mV			
	12V, 1~15A	±7%	120mV			
	-5V, 0~0.5A	±8%	100mV			
IPC-300A	-12V, 0.1~1.0A	±10%	120mV	75%	300W	
	5VSB, 0~2.0A	±5%	50mV			
	3.3V, 0~20A	±5%	50mV			
	5V, 1~30A	±5%	50mV			
	12V, 1~18A	±7%	120mV			
IPC-300B	-5V, 0~0.5A	±8%	100mV	80%	300W	
	-12V, 0.1~1.0A	±10%	120mV			
	5VSB, 0~2.0A	±5%	50mV			
	24V, 0~3.0A	±5%	240mV			
	5V, 1~30A	±5%	50mV			
	12V, 1~18A	±7%	120mV			
	-5V, 0~0.5A	±8%	100mV			
	-12V, 0.1~1.0A	±10%	120mV			
	5VSB, 0~2.0A	±5%	50mV			

### 250~350W ATX PC Power Supply

- Universal AC input for YP-350J
- AC input 230VAC only for YP-350A/400A/450A-EU
- AC input range selectable by switch for YP-350A/ 400A / 450A-AA
- Built-in passive PFC for YP-350A/400A/450A-EU
- Built-in active PFC function, PF>0.95 for YP-350J
- Built-in passive PFC function, PF>0.65 for YP-350A/400A/450A-EU
- Protections: Short circuit / Overload

- Power good / fail signal
- Forced air cooling by built-in DC fan
- 100% full load burn-in test
- Low cost, high reliability
- Approvals: YP-350A / 400A / 450A-AA: FCC YP-350A / 400A / 450A-EU: TUV / CB / CE
- 2 years warranty for YP-350J
- 1 year warranty for YP-350A/400A/450A



171x 150x 86 mm



150x 140x 86 mm

Hold up time ..... 8ms min. at full load (YP-350A / 400A / 450A), 10ms min. at full load (YP-350J)  
 Overload protection ..... 105%~180% shut off, AC recycle to re-start  
 Withstand voltage ..... I/P-O/P, I/P-FG:1.5kVAC, 1minute  
 Working temperature ..... -10~40°C at full load and 230VAC (typical)  
 Safety standards ..... UL60950-1(YP-350J only), EN60950-1 approved

#### ✦ 103~132VAC / 206~264VAC selectable or 206~264VAC only

Model No.	Output	Tol.	R&N	Effi.	Max.	
YP-350A-□	3.3V, 2.0~17A	±5%	50mV	70%	250W	
	5V, 2.0~18A	±5%	50mV			
	12V <sub>1</sub> , 1.0~8.0A	±5%	120mV			
	12V <sub>2</sub> , 1.0~14A	±5%	120mV			
	-5V, 0.1~0.3A	±10%	50mV			
YP-400A-□	-12V, 0.1~0.8A	±10%	120mV	70%	300W	
	5VSB, 0~2.0A	±5%	50mV			
	3.3V, 2.0~20A	±5%	50mV			
	5V, 2.0~20A	±5%	50mV			
	12V <sub>1</sub> , 1.0~8.0A	±5%	120mV			
YP-450A-□	12V <sub>2</sub> , 1.0~14A	±5%	120mV	70%	350W	
	-5V, 0.1~0.3A	±10%	50mV			
	-12V, 0.1~0.8A	±10%	120mV			
	5VSB, 0~2.0A	±5%	50mV			
	3.3V, 2.0~22A	±5%	50mV			
	5V, 2.0~21A	±5%	50mV			
	12V <sub>1</sub> , 1.0~10A	±5%	120mV			
	12V <sub>2</sub> , 1.0~15A	±5%	120mV			
	-5V, 0.1~0.3A	±10%	50mV			
	-12V, 0.1~0.8A	±10%	120mV			
	5VSB, 0~2.0A	±5%	50mV			

□=AA (115/230VAC selectable and without PFC function), EU (230VAC only and with passive PFC function)

#### ✦ 24V Output and Active PFC>0.95 (100~264VAC Input)

Model No.	Output	Tol.	R&N	Effi.	Max.
YP-350J-AA	3.3V, 0.3~14A	±5%	50mV	70%	350W
	5V, 0.1~21A	±5%	50mV		
	12V, 0~15A	-2%, +8%	120mV		
	24V, 0~5.0A	-2%, +8%	150mV		
	-5V, 0~0.3A	±5%	100mV		
	-12V, 0~0.8A	±10%	120mV		
	5VSB, 0~2.0A	±5%	50mV		



#### Customer Satisfaction —

Today's effort, tomorrow's reward. Continuously improve CQTS to satisfy customer is our goal.



#### 48hrs delivery—

We keep enough stock for 95% of standard models at our 2400m<sup>2</sup> warehouse. We can arrange prompt delivery within 48hrs.

### 0.5W DC-DC Regulated Single Output

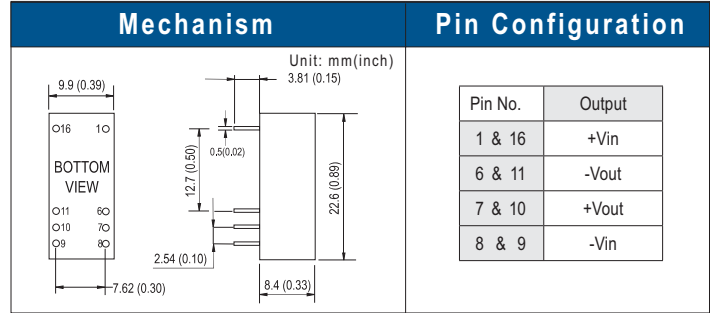
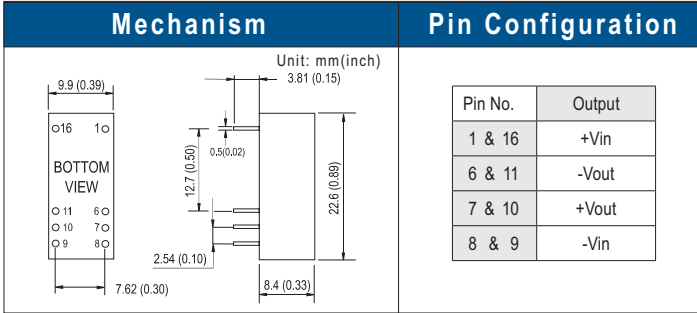


- 1000VDC I/O isolation
- Internal SMD technology
- Built-in EMI filter
- Protection: Short circuit
- Cooling by free air convection
- Non-conductive plastic case
- Dual in line package
- 100% full load burn-in test
- Low cost, high reliability
- 2 years warranty

### 1W DC-DC Unregulated Single Output



- 1000VDC I/O isolation
- Internal SMD technology
- Built-in EMI filter
- Protection: Short circuit
- Cooling by free air convection
- Non-conductive plastic case
- Dual in line package
- 100% full load burn-in test
- Low cost, high reliability
- 2 years warranty



Voltage set point accuracy...  $\pm 2\%$  (typical)  
 Line regulation .....  $\pm 1\%$  (max.)  
 Load regulation .....  $\pm 1\%$  (max.)@10~100% load  
 Input reflected ripple ..... 120mVp-p  
 Efficiency ..... 60% (typical)  
 Short circuit protection ..... continuous, auto-recovery  
 Switching frequency ..... 50kHz (min.)  
 I/O isolation voltage ..... 1000VDC (min.)  
 I/O isolation resistance ..... 100M $\Omega$  (min.)@ 500VDC  
 Isolation capacitance ..... 80pF (max.)  
 Working temperature ..... -25°C to +60°C (no derating), +71°C@80% load  
 Storage temperature ..... -25°C to +105°C  
 Temp. Coefficient .....  $\pm 0.03\%$  / °C (max.)  
 Case material ..... non-conductive plastic

Voltage set point accuracy ...  $\pm 2\%$  (max.)  
 Line regulation .....  $\pm 1.2\%$  (max.) for 1% input variation  
 Load regulation .....  $\pm 8\%$  (max.)@20~100% load  
 Input reflected ripple ..... 120mVp-p  
 Efficiency ..... 83% (typical)  
 Short circuit protection ..... Momentary  
 Switching frequency ..... 50kHz (min.)  
 I/O isolation voltage ..... 1000VDC (min.)  
 I/O isolation resistance ..... 100M $\Omega$  (min.)@ 500VDC  
 Isolation capacitance ..... 80pF (max.)  
 Working temperature ..... -25°C to +60°C (no derating), +71°C@80% load  
 Storage temperature ..... -25°C to +105°C  
 Temp. Coefficient .....  $\pm 0.03\%$  / °C (max.)  
 Case material ..... non-conductive plastic

Model No.	Input (VDC)	Output (VDC)	Current (mA)	R&N (mVp-p)
SRS-0505	5 $\pm$ 10%	5	100	100
SRS-0509	5 $\pm$ 10%	9	56	100
SRS-0512	5 $\pm$ 10%	12	42	100
SRS-0515	5 $\pm$ 10%	15	34	100
SRS-1205	12 $\pm$ 10%	5	100	100
SRS-1209	12 $\pm$ 10%	9	56	100
SRS-1212	12 $\pm$ 10%	12	42	100
SRS-1215	12 $\pm$ 10%	15	34	100
SRS-2405	24 $\pm$ 10%	5	100	100
SRS-2409	24 $\pm$ 10%	9	56	100
SRS-2412	24 $\pm$ 10%	12	42	100
SRS-2415	24 $\pm$ 10%	15	34	100
SRS-4805	48 $\pm$ 10%	5	100	100
SRS-4809	48 $\pm$ 10%	9	56	100
SRS-4812	48 $\pm$ 10%	12	42	100
SRS-4815	48 $\pm$ 10%	15	34	100

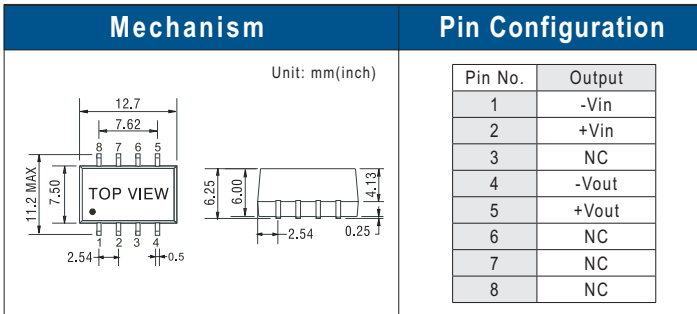
Model No.	Input (VDC)	Output (VDC)	Current (mA)	R&N (mVp-p)
SUS01L-05	5 $\pm$ 10%	5	200	100
SUS01L-09	5 $\pm$ 10%	9	111	100
SUS01L-12	5 $\pm$ 10%	12	84	100
SUS01L-15	5 $\pm$ 10%	15	67	100
SUS01M-05	12 $\pm$ 10%	5	200	100
SUS01M-09	12 $\pm$ 10%	9	111	100
SUS01M-12	12 $\pm$ 10%	12	84	100
SUS01M-15	12 $\pm$ 10%	15	67	100
SUS01N-05	24 $\pm$ 10%	5	200	100
SUS01N-09	24 $\pm$ 10%	9	111	100
SUS01N-12	24 $\pm$ 10%	12	84	100
SUS01N-15	24 $\pm$ 10%	15	67	100
SUS01O-05	48 $\pm$ 10%	5	200	100
SUS01O-09	48 $\pm$ 10%	9	111	100
SUS01O-12	48 $\pm$ 10%	12	84	100
SUS01O-15	48 $\pm$ 10%	15	67	100

### 1W DC-DC Unregulated Single Output



0.50"x 0.30"x 0.24"

- 1000VDC I/O isolation
- Internal SMD technology
- Protection: Short circuit
- Cooling by free air convection
- Non-conductive plastic case
- SMD package style
- 100% full load burn-in test
- Low cost, high reliability
- 1 year warranty



- Voltage set point accuracy .....  $\pm 8\%$  (max.)
- Line regulation .....  $\pm 1.2\%$  (max.) for 1% input variation
- Load regulation .....  $\pm 8\%$  (max.)@20~100% load
- Input reflected ripple ..... 100mVp-p
- Efficiency ..... 75% (typical)
- Short circuit protection ..... Momentary
- Switching frequency ..... 100kHz (typical)
- I/O isolation voltage ..... 1000VDC (min.)
- I/O isolation resistance ..... 100M $\Omega$  (min.)@ 500VDC
- Working temperature ..... -40°C to +85°C
- Storage temperature ..... -40°C to +105°C
- Temp. Coefficient .....  $\pm 0.03\%$  / °C (max.)
- Case material ..... non-conductive plastic
- Safety standards ..... UL60950-1 approved

Model No.	Input (VDC)	Output (VDC)	Current (mA)	R&N (mVp-p)
SBT01L-05	5 $\pm 10\%$	5	200	100
SBT01L-09	5 $\pm 10\%$	9	111	100
SBT01L-12	5 $\pm 10\%$	12	84	100
SBT01L-15	5 $\pm 10\%$	15	67	100
SBT01M-05	12 $\pm 10\%$	5	200	100
SBT01M-09	12 $\pm 10\%$	9	111	100
SBT01M-12	12 $\pm 10\%$	12	84	100
SBT01M-15	12 $\pm 10\%$	15	67	100



#### To Satisfy our customers is our goal —

- High Quality
- Low Cost
- Prompt Delivery
- Best Service



#### Best products also need best service.

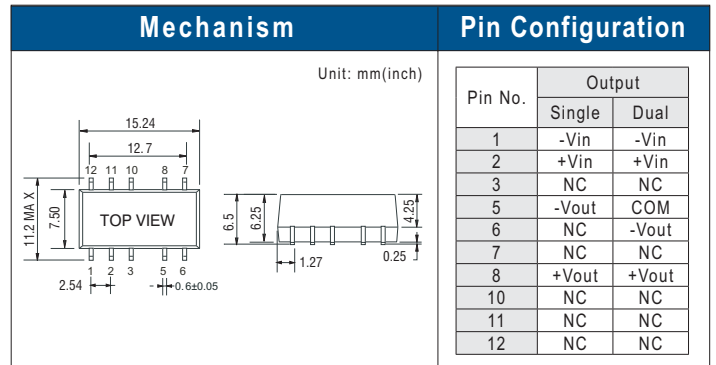
We have authorized distributors all over the world. They have sufficient stock for your prompt delivery. Also they can offer you technical support & RMA services. Please contact your local distributors for more product information. You can also contact us at [info@meanwell.com](mailto:info@meanwell.com) for information of your local distributors.

### 1W DC-DC Unregulated Single and Dual Output



0.60"x 0.30"x 0.24"

- 3000VDC I/O isolation
- Internal SMD technology
- Protection: Short circuit
- Cooling by free air convection
- Non-conductive plastic case
- SMD package style
- 100% full load burn-in test
- Low cost, high reliability
- 1 year warranty



- Voltage set point accuracy .....  $\pm 8\%$  (max.)
- Line regulation .....  $\pm 1.2\%$  (max.) for 1% input variation
- Load regulation .....  $\pm 8\%$  (max.)@20~100% load
- Efficiency ..... 79% (typical)
- Short circuit protection ..... Momentary
- Switching frequency ..... 100kHz (typical)
- I/O isolation voltage ..... 3000VDC (min.)
- I/O isolation resistance ..... 100M $\Omega$  (min.)@ 500VDC
- Working temperature ..... -40°C to +85°C
- Storage temperature ..... -40°C to +105°C
- Temp. Coefficient .....  $\pm 0.03\%$  / °C (max.)
- Case material ..... non-conductive plastic
- Safety standards ..... UL60950-1, CSA C22.2 approved

Model No.	Input (VDC)	Output (VDC)	Current (mA)	R&N (mVp-p)
SFT01L-05	5 $\pm 10\%$	5	200	100
SFT01L-09	5 $\pm 10\%$	9	111	100
SFT01L-12	5 $\pm 10\%$	12	84	100
SFT01L-15	5 $\pm 10\%$	15	67	100
SFT01M-05	12 $\pm 10\%$	5	200	100
SFT01M-09	12 $\pm 10\%$	9	111	100
SFT01M-12	12 $\pm 10\%$	12	84	100
SFT01M-15	12 $\pm 10\%$	15	67	100

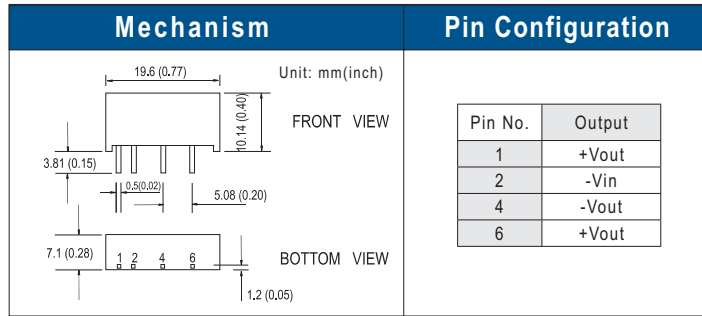
Model No.	Input (VDC)	Output (VDC)	Current (mA)	R&N (mVp-p)
DET01L-05	5 $\pm 10\%$	$\pm 5$	$\pm 100$	100
DET01L-09	5 $\pm 10\%$	$\pm 9$	$\pm 56$	100
DET01L-12	5 $\pm 10\%$	$\pm 12$	$\pm 42$	100
DET01L-15	5 $\pm 10\%$	$\pm 15$	$\pm 33$	100
DET01M-05	12 $\pm 10\%$	$\pm 5$	$\pm 100$	100
DET01M-09	12 $\pm 10\%$	$\pm 9$	$\pm 56$	100
DET01M-12	12 $\pm 10\%$	$\pm 12$	$\pm 42$	100
DET01M-15	12 $\pm 10\%$	$\pm 15$	$\pm 33$	100

### 1W DC-DC Regulated Single Output



0.77"x 0.28"x 0.4"

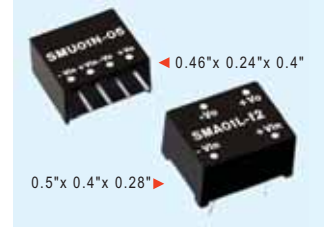
- 1000VDC I/O isolation
- Internal SMD technology
- Built-in EMI filter
- Protection: Short circuit / Overload
- Cooling by free air convection
- Non-conductive plastic case
- Single in line package
- 100% full load burn-in test
- Low cost, high reliability
- 2 years warranty



- Voltage set point accuracy ...  $\pm 2\%$  (typical)
- Line regulation .....  $\pm 0.5\%$  (max.)
- Load regulation .....  $\pm 0.5\%$  (max.)@10~100% load
- Efficiency ..... 65% (typical)
- Overload protection ..... >110% hiccup mode, auto-recovery
- Short circuit protection ..... Continuous, auto-recovery
- Switching frequency ..... 50kHz (min.)
- I/O isolation voltage ..... 1000VDC (min.)
- I/O isolation resistance ..... 100M $\Omega$  (min.)
- Isolation capacitance ..... 80pF (max.)
- Working temperature ..... -25~+71°C (refer to output derating curve)
- Storage temperature ..... -25°C to +105°C
- Temp. Coefficient .....  $\pm 0.03\%$  / °C (max.)
- Case material ..... non-conductive plastic
- EMC ..... Compliance to EN55022 Class B, EN61000-4-2,3,4,5,6,8, FCC part15 Class B

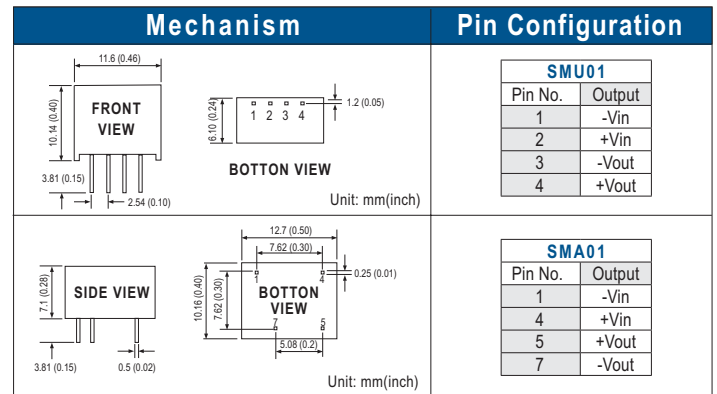
Model No.	Input (VDC)	Output (VDC)	Current (mA)	R&N (mVp-p)
SPR01L-05	5 $\pm 10\%$	5	200	100
SPR01L-09	5 $\pm 10\%$	9	100	100
SPR01L-12	5 $\pm 10\%$	12	84	100
SPR01L-15	5 $\pm 10\%$	15	67	100
SPR01M-05	12 $\pm 10\%$	5	200	100
SPR01M-09	12 $\pm 10\%$	9	100	100
SPR01M-12	12 $\pm 10\%$	12	84	100
SPR01M-15	12 $\pm 10\%$	15	67	100
SPR01N-05	24 $\pm 10\%$	5	200	100
SPR01N-09	24 $\pm 10\%$	9	100	100
SPR01N-12	24 $\pm 10\%$	12	84	100
SPR01N-15	24 $\pm 10\%$	15	67	100
SPR01O-05	48 $\pm 10\%$	5	200	100
SPR01O-09	48 $\pm 10\%$	9	100	100
SPR01O-12	48 $\pm 10\%$	12	84	100
SPR01O-15	48 $\pm 10\%$	15	67	100

### 1W DC-DC Unregulated Single Output



0.5"x 0.4"x 0.28"

- 1500VDC I/O isolation
- Operating temperature range -40~85°C without derating
- Internal SMD technology
- Built-in EMI filter
- Protection: Short circuit
- Cooling by free air convection
- Non-conductive plastic case
- Dual in line package for SMA01
- 100% full load burn-in test
- Industry standard pinout
- 2 years warranty



- Voltage set point accuracy .....  $\pm 2\%$  (max.)
- Line regulation .....  $\pm 1.2\%$  (max.) for 1% input variation
- Load regulation .....  $\pm 8\%$  (max.)@20~100% load
- Input reflected ripple ..... 100mVp-p
- Efficiency ..... 80% (typical)
- Short circuit protection ..... Momentary
- Switching frequency ..... 100kHz (min.)
- I/O isolation voltage ..... 1500VDC (min.)
- I/O isolation resistance ..... 100M $\Omega$  (min.)@ 500VDC
- Isolation capacitance ..... 80pF (max.)
- Working temperature ..... -40°C to +85°C (no derating)
- Storage temperature ..... -40°C to +105°C
- EMC ..... Compliance to EN55022 Class B, EN61000-4-2,3,4,5,6,8, FCC part15 Class B

Model No.	Input (VDC)	Output (VDC)	Current (mA)	R&N (mVp-p)
SMU01L-05	5 $\pm 10\%$	5	200	100
SMU01L-09	5 $\pm 10\%$	9	110	100
SMU01L-12	5 $\pm 10\%$	12	84	100
SMU01L-15	5 $\pm 10\%$	15	67	100
SMU01M-05	12 $\pm 10\%$	5	200	100
SMU01M-09	12 $\pm 10\%$	9	110	100
SMU01M-12	12 $\pm 10\%$	12	84	100
SMU01M-15	12 $\pm 10\%$	15	67	100
SMU01N-05	24 $\pm 10\%$	5	200	100
SMU01N-09	24 $\pm 10\%$	9	110	100
SMU01N-12	24 $\pm 10\%$	12	84	100
SMU01N-15	24 $\pm 10\%$	15	67	100

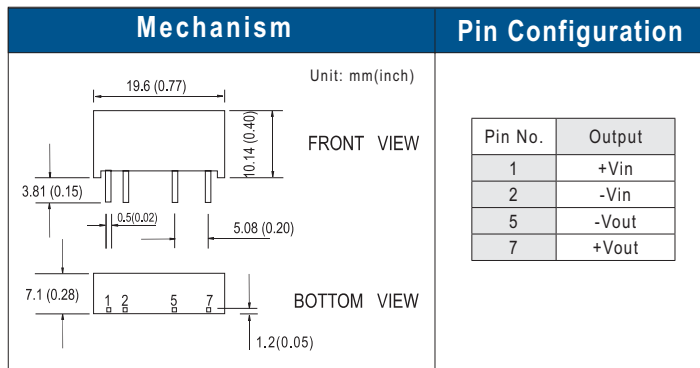
Model No.	Input (VDC)	Output (VDC)	Current (mA)	R&N (mVp-p)
SMA01L-05	5 $\pm 10\%$	5	200	100
SMA01L-09	5 $\pm 10\%$	9	110	100
SMA01L-12	5 $\pm 10\%$	12	84	100
SMA01L-15	5 $\pm 10\%$	15	67	100
SMA01M-05	12 $\pm 10\%$	5	200	100
SMA01M-09	12 $\pm 10\%$	9	110	100
SMA01M-12	12 $\pm 10\%$	12	84	100
SMA01M-15	12 $\pm 10\%$	15	67	100
SMA01N-05	24 $\pm 10\%$	5	200	100
SMA01N-09	24 $\pm 10\%$	9	110	100
SMA01N-12	24 $\pm 10\%$	12	84	100
SMA01N-15	24 $\pm 10\%$	15	67	100

### 2W DC-DC Unregulated Single Output



0.77"x 0.28"x 0.4"

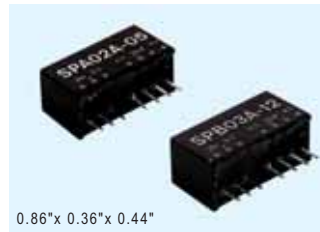
- 3000VDC I/O isolation
- Internal SMD technology
- Built-in EMI filter
- Protection: Short circuit
- Cooling by free air convection
- Non-conductive plastic case
- Single in line package
- 100% full load burn-in test
- Low cost, high reliability
- 2 years warranty



- Voltage set point accuracy ...  $\pm 2\%$  (max.)
- Line regulation .....  $\pm 1.2\%$  (max.) for 1% input variation
- Load regulation .....  $\pm 8\%$  (max.) @20~100% load
- Efficiency ..... 83% (typical)
- Short circuit protection ..... Momentary
- Switching frequency ..... 100kHz (min.)
- I/O isolation voltage ..... 3000VDC (min.)
- I/O isolation resistance ..... 100M $\Omega$  (min.)
- Isolation capacitance ..... 80pF (max.)
- Working temperature ..... -40~+71°C (refer to output derating curve)
- Storage temperature ..... -40°C to +105°C
- Temp. Coefficient .....  $\pm 0.03\%$  / °C (max.)
- Case material ..... non-conductive plastic
- EMC ..... Compliance to EN55022 Class B, EN61000-4-2,3,4,5,6,8, FCC part15 Class B

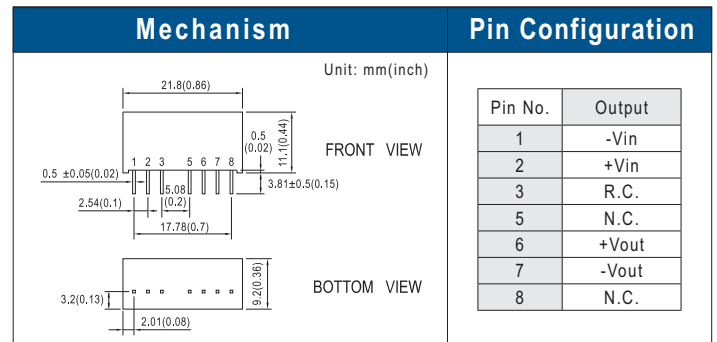
Model No.	Input (VDC)	Output (VDC)	Current (mA)	R&N (mVp-p)
SPU02L-05	5 $\pm 10\%$	5	400	100
SPU02L-12	5 $\pm 10\%$	12	167	100
SPU02L-15	5 $\pm 10\%$	15	133	100
SPU02M-05	12 $\pm 10\%$	5	400	100
SPU02M-12	12 $\pm 10\%$	12	167	100
SPU02M-15	12 $\pm 10\%$	15	133	100
SPU02N-05	24 $\pm 10\%$	5	400	100
SPU02N-12	24 $\pm 10\%$	12	167	100
SPU02N-15	24 $\pm 10\%$	15	133	100

### 2~3W DC-DC Regulated Single Output



0.86"x 0.36"x 0.44"

- 2:1 wide input range
- 4:1 wide input range (option) for SPA02
- 1000VDC I/O isolation
- 3000VDC I/O isolation (option) for SPA02
- Built-in remote ON/OFF control
- Built-in EMI filter
- Protection: Short circuit / Overload
- Cooling by free air convection
- Non-conductive plastic case
- Single in line package
- 100% full load burn-in test
- Modified models available: output 3.3V / 9V
- 2 years warranty



- Voltage set point accuracy ....  $\pm 2\%$  (max.)
- Line regulation .....  $\pm 0.5\%$  (max.)
- Load regulation .....  $\pm 0.5\%$  (max.) @10~100% load
- Efficiency ..... 82% (typical)
- Short circuit protection ..... Continuous, auto-recovery
- Overload protection ..... 150%~250%, auto-recovery
- Switching frequency ..... 100kHz (min.)
- I/O isolation voltage ..... 1000VDC (min.)
- I/O isolation resistance ..... 100M $\Omega$  (min.)
- Isolation capacitance ..... 80pF (max.)
- Working temperature ..... -40~+85°C (refer to output derating curve)
- Storage temperature ..... -40°C to +105°C
- Temp. Coefficient .....  $\pm 0.03\%$  / °C (max.)
- Case material ..... non-conductive plastic
- EMC ..... Compliance to EN55022 Class B, EN61000-4-2,3,4,5,6,8, FCC part15 Class B

Model No.	Input (VDC)	Output (VDC)	Current (mA)	R&N (mVp-p)
SPA02E-05	4.5~9	5	400	60
SPA02E-12	4.5~9	12	150	60
SPA02E-15	4.5~9	15	120	60
SPA02A-05	9~18	5	400	60
SPA02A-12	9~18	12	167	60
SPA02A-15	9~18	15	133	60
SPA02B-05	18~36	5	400	60
SPA02B-12	18~36	12	167	60
SPA02B-15	18~36	15	133	60
SPA02C-05	36~72	5	400	60
SPA02C-12	36~72	12	167	60
SPA02C-15	36~72	15	133	60

Model No.	Input (VDC)	Output (VDC)	Current (mA)	R&N (mVp-p)
SPB03E-05	4.5~9	5	600	50
SPB03E-12	4.5~9	12	250	60
SPB03E-15	4.5~9	15	200	60
SPB03A-05	9~18	5	600	50
SPB03A-12	9~18	12	250	60
SPB03A-15	9~18	15	200	60
SPB03B-05	18~36	5	600	50
SPB03B-12	18~36	12	250	60
SPB03B-15	18~36	15	200	60
SPB03C-05	36~72	5	600	50
SPB03C-12	36~72	12	250	60
SPB03C-15	36~72	15	200	60



Who can provide you better services and be a trustworthy partner in the power industry?

— "MEAN WELL" tries to be —



Products —

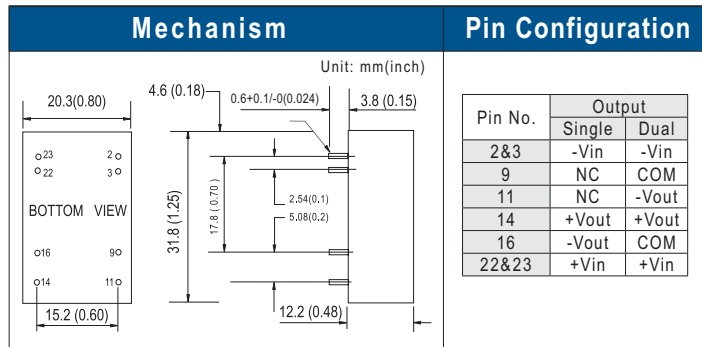
- One Stop Shopping
- Total Solution

### 3W DC-DC Regulated Single and Dual Output



1.25"x 0.8"x 0.48"

- 2:1 wide input range
- 4:1 wide input range (option)
- 1000VDC I/O isolation
- 3000VDC I/O isolation (option)
- Built-in EMI filter
- Protection: Short circuit / Overload
- Cooling by free air convection
- Five-sided shield metal case
- 100% full load burn-in test
- Low cost, high reliability
- 2 years warranty



- Voltage set point accuracy .....  $\pm 2\%$  (max.)  
 Line regulation .....  $\pm 0.5\%$  (max.)  
 Load regulation .....  $\pm 0.5\%$  (max.)@10~100% load  
 Efficiency ..... 82% (typical)  
 Short circuit protection ..... Continuous, auto-recovery  
 Overload protection ..... 160%~250%, auto-recovery  
 I/O isolation voltage ..... 1000VDC (min.)  
 I/O isolation resistance ..... 100M $\Omega$  (min.)@ 500VDC  
 Isolation capacitance ..... 80pF (max.)  
 Working temperature ..... -40~+71°C (refer to output derating curve)  
 Storage temperature ..... -40°C to +105°C  
 Temp. Coefficient .....  $\pm 0.03\%$  / °C (max.)  
 Case material ..... Five-sided shield metal case  
 EMC ..... Compliance to EN55022 Class B,  
 EN61000-4-2,3,4,5,6,8, FCC part15 Class B

#### ◊ Single Output

Model No.	Input (VDC)	Output (VDC)	Current (mA)	R&N (mVp-p)
SCW03A-05	9~18	5	600	50
SCW03A-12	9~18	12	250	60
SCW03A-15	9~18	15	200	60
SCW03B-05	18~36	5	600	50
SCW03B-12	18~36	12	250	60
SCW03B-15	18~36	15	200	60
SCW03C-05	36~72	5	600	50
SCW03C-12	36~72	12	250	60
SCW03C-15	36~72	15	200	60

#### ◊ Dual Output

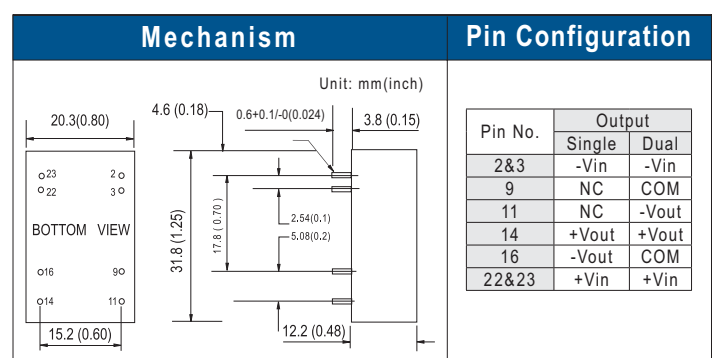
Model No.	Input (VDC)	Output (VDC)	Current (mA)	R&N (mVp-p)
DCW03A-05	9~18	$\pm 5$	$\pm 300$	50
DCW03A-12	9~18	$\pm 12$	$\pm 125$	60
DCW03A-15	9~18	$\pm 15$	$\pm 100$	60
DCW03B-05	18~36	$\pm 5$	$\pm 300$	50
DCW03B-12	18~36	$\pm 12$	$\pm 125$	60
DCW03B-15	18~36	$\pm 15$	$\pm 100$	60
DCW03C-05	36~72	$\pm 5$	$\pm 300$	50
DCW03C-12	36~72	$\pm 12$	$\pm 125$	60
DCW03C-15	36~72	$\pm 15$	$\pm 100$	60

### 5~6W DC-DC Regulated Single and Dual Output



1.25"x 0.8"x 0.48"

- 2:1 wide input range
- 4:1 wide input range(option)
- 1000VDC I/O isolation
- 3000VDC I/O isolation(option)
- Built-in EMI filter
- Protection: Short circuit / Overload
- Cooling by free air convection
- Five-sided shield metal case
- 100% full load burn-in test
- Low cost, high reliability
- 2 years warranty



- Voltage set point accuracy .....  $\pm 2\%$  (max.)  
 Line regulation .....  $\pm 0.5\%$  (max.)  
 Load regulation .....  $\pm 0.5\%$  (max.)@20~100% load  
 Efficiency ..... 85% (typical)  
 Short circuit protection ..... continuous, auto-recovery  
 Overload protection ..... 150%~250%, auto-recovery  
 I/O isolation voltage ..... 1000VDC (min.)  
 I/O isolation resistance ..... 100M $\Omega$  (min.)@ 500VDC  
 Isolation capacitance ..... 80pF (max.)  
 Working temperature ..... -40~+71°C (refer to output derating curve)  
 Storage temperature ..... -40°C to +105°C  
 Temp. Coefficient .....  $\pm 0.03\%$  / °C (max.)  
 Case material ..... Five-sided shield metal case  
 EMC ..... Compliance to EN55022 Class B,  
 EN61000-4-2,3,4,5,6,8, FCC part15 Class B

#### ◊ Single Output

Model No.	Input (VDC)	Output (VDC)	Current (mA)	R&N (mVp-p)
SCW05A-05	9~18	5	1000	50
SCW05A-09	9~18	9	556	60
SCW05A-12	9~18	12	470	60
SCW05A-15	9~18	15	400	60
SCW05B-05	18~36	5	1000	50
SCW05B-09	18~36	9	556	60
SCW05B-12	18~36	12	470	60
SCW05B-15	18~36	15	400	60
SCW05C-05	36~72	5	1000	50
SCW05C-09	36~72	9	556	60
SCW05C-12	36~72	12	470	60
SCW05C-15	36~72	15	400	60

#### ◊ Dual Output

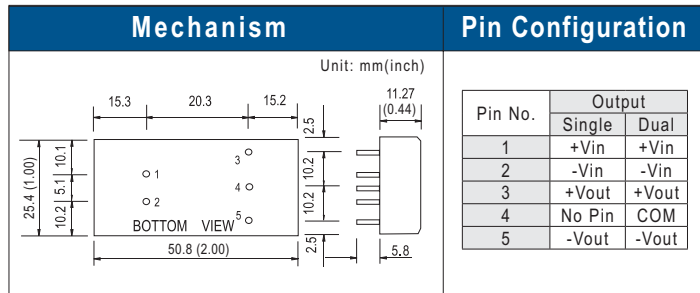
Model No.	Input (VDC)	Output (VDC)	Current (mA)	R&N (mVp-p)
DCW05A-05	9~18	$\pm 5$	$\pm 500$	50
DCW05A-12	9~18	$\pm 12$	$\pm 230$	60
DCW05A-15	9~18	$\pm 15$	$\pm 190$	60
DCW05B-05	18~36	$\pm 5$	$\pm 500$	50
DCW05B-12	18~36	$\pm 12$	$\pm 230$	60
DCW05B-15	18~36	$\pm 15$	$\pm 190$	60
DCW05C-05	36~72	$\pm 5$	$\pm 500$	50
DCW05C-12	36~72	$\pm 12$	$\pm 230$	60
DCW05C-15	36~72	$\pm 15$	$\pm 190$	60

### 5W DC-DC Regulated Single and Dual Output



2"x 1"x 0.44"

- 2:1 wide input range
- 4:1 wide input range(option)
- 1000VDC I/O isolation
- 3000VDC I/O isolation(option)
- Built-in EMI filter
- Protection: Short circuit / Overload
- Cooling by free air convection
- Six-sided shield metal case
- 100% full load burn-in test
- Low cost, high reliability
- 2 years warranty



- Voltage set point accuracy ... $\pm 2\%$  (max.)  
 Line regulation ..... $\pm 0.2\%$  (max.)  
 Load regulation ..... $\pm 0.5\%$  (max.)@10~100% load  
 Efficiency ..... 85% (typical)  
 Short circuit protection ..... continuous, auto-recovery  
 Overload protection ..... 160%~250%, auto-recovery  
 I/O isolation voltage ..... 1000VDC (min.)  
 I/O isolation resistance ..... 100M $\Omega$  (min.)@ 500VDC  
 Working temperature ..... -25~+71°C (refer to output derating curve)  
 Storage temperature ..... -25°C to +105°C  
 Temp. Coefficient .....  $\pm 0.03\%$  / °C (max.)  
 Case material ..... Six-sided shield metal case  
 EMC ..... Compliance to EN55022 Class B,  
 EN61000-4-2,3,4,5,6,8, FCC part15 Class B

#### Single Output

Model No.	Input (VDC)	Output (VDC)	Current (mA)	R&N (mVp-p)
SLW05A-05	9~18	5	1000	50
SLW05A-09	9~18	9	556	60
SLW05A-12	9~18	12	417	60
SLW05A-15	9~18	15	333	60
SLW05B-05	18~36	5	1000	50
SLW05B-09	18~36	9	556	60
SLW05B-12	18~36	12	417	60
SLW05B-15	18~36	15	333	60
SLW05C-05	36~72	5	1000	50
SLW05C-09	36~72	9	556	60
SLW05C-12	36~72	12	417	60
SLW05C-15	36~72	15	333	60

#### Dual Output

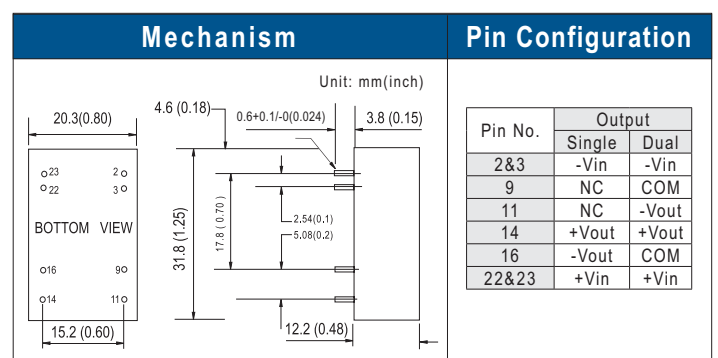
Model No.	Input (VDC)	Output (VDC)	Current (mA)	R&N (mVp-p)
DLW05A-05	9~18	$\pm 5$	$\pm 500$	50
DLW05A-12	9~18	$\pm 12$	$\pm 208$	60
DLW05A-15	9~18	$\pm 15$	$\pm 167$	60
DLW05B-05	18~36	$\pm 5$	$\pm 500$	50
DLW05B-12	18~36	$\pm 12$	$\pm 208$	60
DLW05B-15	18~36	$\pm 15$	$\pm 167$	60
DLW05C-05	36~72	$\pm 5$	$\pm 500$	50
DLW05C-12	36~72	$\pm 12$	$\pm 208$	60
DLW05C-15	36~72	$\pm 15$	$\pm 167$	60

### 8W DC-DC Regulated Single and Dual Output



1.25"x 0.8"x 0.48"

- 2:1 wide input range
- 1000VDC I/O isolation
- Built-in EMI filter
- Protection: Short circuit / Overload
- Cooling by free air convection
- Five-sided shield metal case
- 100% full load burn-in test
- Low cost, high reliability
- 2 years warranty



- Voltage set point accuracy ....  $\pm 2\%$  (max.)  
 Line regulation .....  $\pm 0.5\%$  (max.)  
 Load regulation .....  $\pm 0.5\%$  (max.)@20~100% load  
 Efficiency ..... 81% (typical)  
 Short circuit protection ..... continuous, auto-recovery  
 Overload protection ..... 110%~250%, auto-recovery  
 I/O isolation voltage ..... 1000VDC (min.)  
 I/O isolation resistance ..... 100M $\Omega$  (min.)@ 500VDC  
 Isolation capacitance ..... 250pF (max.)  
 Working temperature ..... -40~+71°C (refer to output derating curve)  
 Storage temperature ..... -40°C to +105°C  
 Temp. Coefficient .....  $\pm 0.03\%$  / °C (max.)  
 Case material ..... Five-sided shield metal case  
 EMC ..... Compliance to EN55022 Class B,  
 EN61000-4-2,3,4,5,6,8, FCC part15 Class B

#### Single Output

Model No.	Input (VDC)	Output (VDC)	Current (mA)	R&N (mVp-p)
SCW08A-05	9~18	5	1600	50
SCW08A-12	9~18	12	670	60
SCW08A-15	9~18	15	533	60
SCW08B-05	18~36	5	1600	50
SCW08B-12	18~36	12	670	60
SCW08B-15	18~36	15	533	60
SCW08C-05	36~72	5	1600	50
SCW08C-12	36~72	12	670	60
SCW08C-15	36~72	15	533	60

#### Dual Output

Model No.	Input (VDC)	Output (VDC)	Current (mA)	R&N (mVp-p)
DCW08A-05	9~18	$\pm 5$	$\pm 800$	50
DCW08A-12	9~18	$\pm 12$	$\pm 335$	60
DCW08A-15	9~18	$\pm 15$	$\pm 267$	60
DCW08B-05	18~36	$\pm 5$	$\pm 800$	50
DCW08B-12	18~36	$\pm 12$	$\pm 335$	60
DCW08B-15	18~36	$\pm 15$	$\pm 267$	60
DCW08C-05	36~72	$\pm 5$	$\pm 800$	50
DCW08C-12	36~72	$\pm 12$	$\pm 335$	60
DCW08C-15	36~72	$\pm 15$	$\pm 267$	60

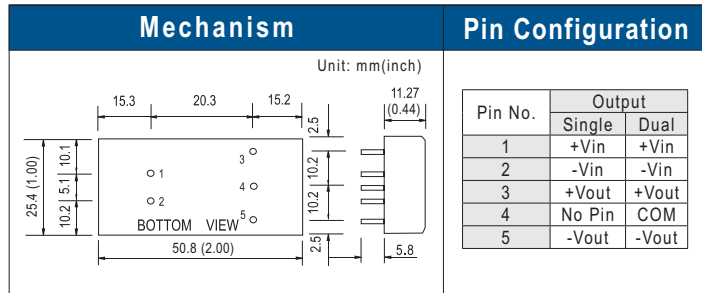


### 10W DC-DC Regulated Single and Dual Output



2"x 1"x 0.44"

- 2:1 wide input range
- 4:1 wide input range(option)
- 1000VDC I/O isolation
- 3000VDC I/O isolation (option)
- Built-in EMI filter
- Protection: Short circuit / Overload
- Cooling by free air convection
- Six-sided shield metal case
- 100% full load burn-in test
- Low cost, high reliability
- 2 years warranty



- Voltage set point accuracy ...  $\pm 2\%$  (max.)  
 Line regulation .....  $\pm 0.3\%$  (max.)  
 Load regulation .....  $\pm 0.5\%$  (max.)@10~100% load  
 Efficiency ..... 85% (typical)  
 Short circuit protection ..... continuous, auto-recovery  
 Overload protection ..... 160%~250%, auto-recovery  
 I/O isolation voltage ..... 1000VDC (min.)  
 I/O isolation resistance ..... 100M $\Omega$  (min.)@ 500VDC  
 Working temperature ..... -25~+71°C (refer to output derating curve)  
 Storage temperature ..... -25°C to +105°C  
 Temp. Coefficient .....  $\pm 0.03\%$  / °C (max.)  
 Case material ..... Six-sided shield metal case  
 EMC ..... Compliance to EN55022 Class B,  
 EN61000-4-2,3,4,5,6,8, FCC part15 Class B

#### Single Output

Model No.	Input (VDC)	Output (VDC)	Current (mA)	R&N (mVp-p)
SKE10A-05	9~18	5	2000	50
SKE10A-12	9~18	12	840	60
SKE10A-15	9~18	15	666	60
SKE10A-24	9~18	24	420	80
SKE10B-05	18~36	5	2000	50
SKE10B-12	18~36	12	840	60
SKE10B-15	18~36	15	666	60
SKE10B-24	18~36	24	420	80
SKE10C-05	36~72	5	2000	50
SKE10C-12	36~72	12	840	60
SKE10C-15	36~72	15	666	60
SKE10C-24	36~72	24	420	80

#### Dual Output

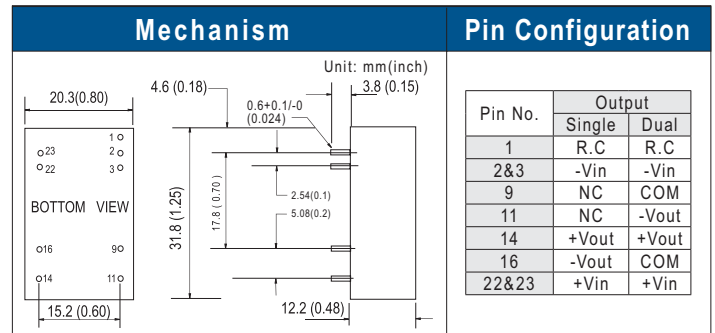
Model No.	Input (VDC)	Output (VDC)	Current (mA)	R&N (mVp-p)
DKE10A-05	9~18	$\pm 5$	$\pm 1000$	50
DKE10A-12	9~18	$\pm 12$	$\pm 420$	60
DKE10A-15	9~18	$\pm 15$	$\pm 333$	60
DKE10A-24	9~18	$\pm 24$	$\pm 210$	80
DKE10B-05	18~36	$\pm 5$	$\pm 1000$	50
DKE10B-12	18~36	$\pm 12$	$\pm 420$	60
DKE10B-15	18~36	$\pm 15$	$\pm 333$	60
DKE10B-24	18~36	$\pm 24$	$\pm 210$	80
DKE10C-05	36~72	$\pm 5$	$\pm 1000$	50
DKE10C-12	36~72	$\pm 12$	$\pm 420$	60
DKE10C-15	36~72	$\pm 15$	$\pm 333$	60
DKE10C-24	36~72	$\pm 24$	$\pm 210$	80

### 12W DC-DC Regulated Single and Dual Output



1.25"x 0.8"x 0.48"

- 2:1 wide input range
- 1500VDC I/O isolation
- Built-in remote ON/OFF control
- Built-in EMI filter
- Protection: Short circuit / Overload
- Cooling by free air convection
- Five-sided shield metal case
- 100% full load burn-in test
- Low cost, high reliability
- Modified models available:  
output 2.5V / 3.3V
- 2 years warranty



- Voltage set point accuracy ...  $\pm 2\%$  (max.)  
 Line regulation .....  $\pm 0.5\%$  (max.)  
 Load regulation .....  $\pm 0.5\%$  (max.)@20~100% load  
 Efficiency ..... 85% (typical)  
 Short circuit protection ..... continuous, auto-recovery  
 Overload protection ..... 110%~180%, auto-recovery  
 I/O isolation voltage ..... 1500VDC (min.)  
 I/O isolation resistance ..... 100M $\Omega$  (min.)@ 500VDC  
 Working temperature ..... -40~+71°C (refer to output derating curve)  
 Storage temperature ..... -40°C to +105°C  
 Temp. Coefficient .....  $\pm 0.03\%$  / °C (max.)  
 Case material ..... Five-sided shield metal case  
 EMC ..... Compliance to EN55022 Class A,  
 EN61000-4-2,3,4,5,6,8, FCC part15 Class A

#### Single Output

Model No.	Input (VDC)	Output (VDC)	Current (mA)	R&N (mVp-p)
SCW12A-05	9~18	5	2400	50
SCW12A-12	9~18	12	1000	60
SCW12A-15	9~18	15	800	60
SCW12B-05	18~36	5	2400	50
SCW12B-12	18~36	12	1000	60
SCW12B-15	18~36	15	800	60
SCW12C-05	36~72	5	2400	50
SCW12C-12	36~72	12	1000	60
SCW12C-15	36~72	15	800	60

#### Dual Output

Model No.	Input (VDC)	Output (VDC)	Current (mA)	R&N (mVp-p)
DCW12A-05	9~18	$\pm 5$	$\pm 1200$	50
DCW12A-12	9~18	$\pm 12$	$\pm 500$	60
DCW12A-15	9~18	$\pm 15$	$\pm 400$	60
DCW12B-05	18~36	$\pm 5$	$\pm 1200$	50
DCW12B-12	18~36	$\pm 12$	$\pm 500$	60
DCW12B-15	18~36	$\pm 15$	$\pm 400$	60
DCW12C-05	36~72	$\pm 5$	$\pm 1200$	50
DCW12C-12	36~72	$\pm 12$	$\pm 500$	60
DCW12C-15	36~72	$\pm 15$	$\pm 400$	60

### 15W DC-DC Regulated Single Output

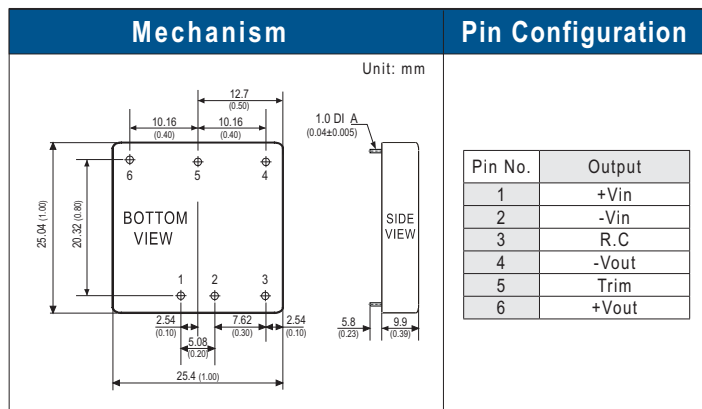


- 1"x1" compact size
- 2:1 wide input range
- 1500VDC I/O isolation
- High efficiency up to 88%
- Built-in remote ON/OFF control
- Built-in EMI filter
- Trimming output ( $\pm 10\%$ )
- Protections: Short circuit / Overload / Over voltage
- Cooling by free air convection
- 100% full load burn-in test
- Low cost, high reliability
- 2 years warranty

### 15W DC-DC Regulated Single and Dual Output

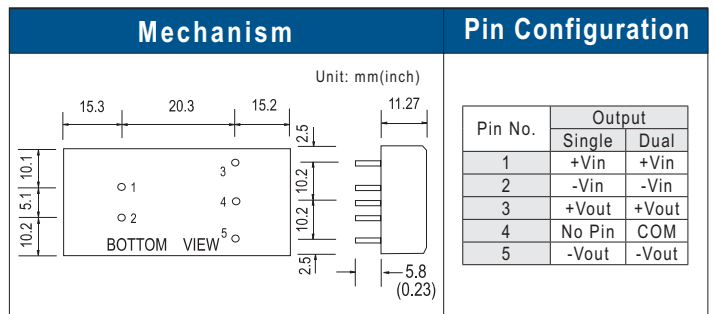


- 2:1 wide input range
- 4:1 wide input range(option)
- 1000VDC I/O isolation
- 3000VDC I/O isolation (option)
- Built-in EMI filter
- Protection: Short circuit / Overload
- Cooling by free air convection
- Six-sided shield metal case
- 100% full load burn-in test
- Low cost, high reliability
- 2 years warranty



- Voltage set point accuracy ...  $\pm 2\%$  (max.)
- Line regulation .....  $\pm 0.5\%$  (max.)
- Load regulation .....  $\pm 0.5\%$  (max.) @10%~full load
- Overload protection ..... 110%~180%, auto-recovery
- Over voltage protection ..... Clamp by TVS diode
- Efficiency ..... 88% (typical)
- I/O isolation voltage ..... 1500VDC(min.)
- I/O isolation resistance ..... 100M $\Omega$ (min.) @500VDC
- Working temperature ..... -40~+80°C(refer to output derating curve)
- Storage temperature ..... -55°C to 100°C
- Case Material ..... Six-sided shield metal case
- EMC ..... Compliance to EN55022 class A,  
EN61000-4-2,3,4,5,6,8, FCC part15 class A

Model No.	Input (VDC)	Output (VDC)	Current (A)	R&N (mVp-p)
SKM15A-05	9~18	5	3.00	50
SKM15A-12	9~18	12	1.25	60
SKM15A-15	9~18	15	1.00	60
SKM15B-05	18~36	5	3.00	50
SKM15B-12	18~36	12	1.25	60
SKM15B-15	18~36	15	1.00	60
SKM15C-05	36~75	5	3.00	50
SKM15C-12	36~75	12	1.25	60
SKM15C-15	36~75	15	1.00	60



- Voltage set point accuracy ...  $\pm 2\%$  (max.)
- Line regulation .....  $\pm 0.2\%$  (max.)
- Load regulation .....  $\pm 0.5\%$  (max.)@10~100% load
- Efficiency ..... 82% (typical)
- Short circuit protection ..... continuous, auto-recovery
- Overload protection ..... 110%~250%, auto-recovery
- I/O isolation voltage ..... 1000VDC (min.)
- I/O isolation resistance ..... 100M $\Omega$  (min.)@ 500VDC
- Working temperature ..... -40~+71°C (refer to output derating curve)
- Storage temperature ..... -40°C to +105°C
- Temp. Coefficient .....  $\pm 0.03\%$  / °C (max.)
- Case material ..... Six-sided shield metal case
- EMC ..... Compliance to EN55022 Class B,  
EN61000-4-2,3,4,5,6,8, FCC part15 Class B

Model No.	Input (VDC)	Output (VDC)	Current (mA)	R&N (mVp-p)
SKA15A-033	9~18	3.3	3000	50
SKA15A-05	9~18	5	3000	50
SKA15A-12	9~18	12	1250	60
SKA15A-15	9~18	15	1000	60
SKA15B-033	18~36	3.3	3000	50
SKA15B-05	18~36	5	3000	50
SKA15B-12	18~36	12	1250	60
SKA15B-15	18~36	15	1000	60
SKA15C-033	36~72	3.3	3000	50
SKA15C-05	36~72	5	3000	50
SKA15C-12	36~72	12	1250	60
SKA15C-15	36~72	15	1000	60

Model No.	Input (VDC)	Output (VDC)	Current (mA)	R&N (mVp-p)
DKA15A-05	9~18	$\pm 5$	$\pm 1500$	50
DKA15A-12	9~18	$\pm 12$	$\pm 625$	60
DKA15A-15	9~18	$\pm 15$	$\pm 500$	60
DKA15B-05	18~36	$\pm 5$	$\pm 1500$	50
DKA15B-12	18~36	$\pm 12$	$\pm 625$	60
DKA15B-15	18~36	$\pm 15$	$\pm 500$	60
DKA15C-05	36~72	$\pm 5$	$\pm 1500$	50
DKA15C-12	36~72	$\pm 12$	$\pm 625$	60
DKA15C-15	36~72	$\pm 15$	$\pm 500$	60



To Satisfy our customers is our goal —

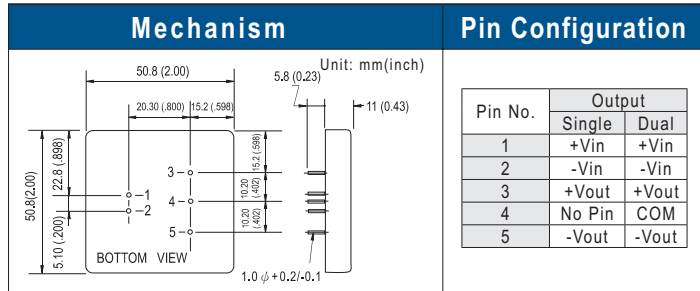
- High Quality
- Low Cost
- Prompt Delivery
- Best Service

### 15W DC-DC Regulated Single and Dual Output



2" x 2" x 0.43"

- 2:1 wide input range
- 4:1 wide input range(option)
- 1000VDC I/O isolation
- 3000VDC I/O isolation(option)
- Built-in EMI filter
- Protections: Short circuit / Overload
- Cooling by free air convection
- Six-sided shield metal case
- 100% full load burn-in test
- Low cost, high reliability
- 2 years warranty



- Voltage set point accuracy ...  $\pm 2\%$  (max.)  
 Line regulation .....  $\pm 0.3\%$  (max.)  
 Load regulation .....  $\pm 0.5\%$  (max.)@10~100% load  
 Efficiency ..... 85% (typical)  
 Short circuit protection ..... continuous, auto-recovery  
 Overload protection ..... 160%~250%, auto-recovery  
 I/O isolation voltage ..... 1000VDC (min.)  
 I/O isolation resistance ..... 100M $\Omega$  (min.)@ 500VDC  
 Working temperature ..... -25~+71°C (refer to output derating curve)  
 Storage temperature ..... -25°C to +105°C  
 Temp. Coefficient .....  $\pm 0.03\%$  / °C (max.)  
 Case material ..... Six-sided shield metal case  
 EMC ..... Compliance to EN55022 Class B,  
 EN61000-4-2,3,4,5,6,8, FCC part15 Class B

#### Single Output

Model No.	Input (VDC)	Output (VDC)	Current (mA)	R&N (mVp-p)
SKE15A-05	9~18	5	3000	50
SKE15A-12	9~18	12	1250	60
SKE15A-15	9~18	15	1000	60
SKE15A-24	9~18	24	625	80
SKE15B-05	18~36	5	3000	50
SKE15B-12	18~36	12	1250	60
SKE15B-15	18~36	15	1000	60
SKE15B-24	18~36	24	625	80
SKE15C-05	36~72	5	3000	50
SKE15C-12	36~72	12	1250	60
SKE15C-15	36~72	15	1000	60
SKE15C-24	36~72	24	625	80

#### Dual Output

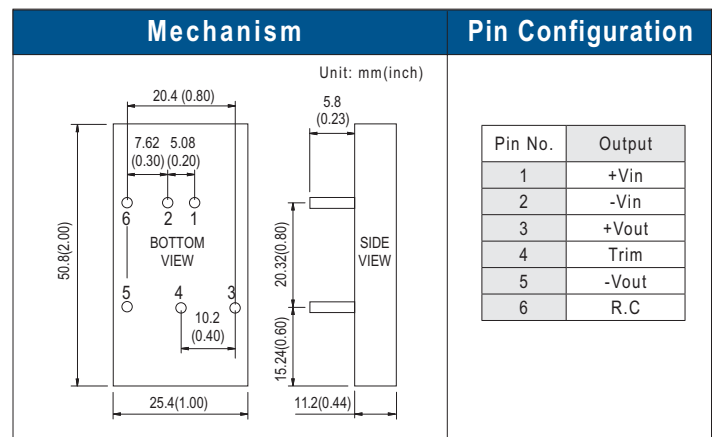
Model No.	Input (VDC)	Output (VDC)	Current (mA)	R&N (mVp-p)
DKE15A-05	9~18	$\pm 5$	$\pm 1500$	50
DKE15A-12	9~18	$\pm 12$	$\pm 625$	60
DKE15A-15	9~18	$\pm 15$	$\pm 500$	60
DKE15A-24	9~18	$\pm 24$	$\pm 313$	80
DKE15B-05	18~36	$\pm 5$	$\pm 1500$	50
DKE15B-12	18~36	$\pm 12$	$\pm 625$	60
DKE15B-15	18~36	$\pm 15$	$\pm 500$	60
DKE15B-24	18~36	$\pm 24$	$\pm 313$	80
DKE15C-05	36~72	$\pm 5$	$\pm 1500$	50
DKE15C-12	36~72	$\pm 12$	$\pm 625$	60
DKE15C-15	36~72	$\pm 15$	$\pm 500$	60
DKE15C-24	36~72	$\pm 24$	$\pm 313$	80

### 20W DC-DC Regulated Single Output



2" x 1" x 0.44"

- 2:1 wide input range
- 2" x 1" compact size
- 1500VDC I/O isolation
- Built-in remote ON/OFF control
- Built-in EMI filter
- Trimming output ( $\pm 10\%$ )
- Protections: Short circuit / Overload / Over voltage
- Cooling by free air convection
- Six-sided shield metal case
- 100% full load burn-in test
- Low cost, high reliability
- 2 years warranty



- Voltage set point accuracy ....  $\pm 2\%$  (max.)  
 Line regulation .....  $\pm 0.2\%$  (max.)  
 Load regulation .....  $\pm 0.5\%$  (max.)@10~100% load  
 Efficiency ..... 89.5% (typical)  
 Short circuit protection ..... Continuous, auto-recovery  
 Overload protection ..... 110%~180%, auto-recovery  
 I/O isolation voltage ..... 1500VDC (min.)  
 I/O isolation resistance ..... 100M $\Omega$  (min.)@ 500VDC  
 Working temperature ..... -40~+85°C (refer to output derating curve)  
 Storage temperature ..... -55°C to +125°C  
 Temp. Coefficient .....  $\pm 0.03\%$  / °C (max.)  
 Case material ..... Six-sided shield metal case  
 EMC ..... Compliance to EN55022 Class A,  
 EN61000-4-2,3,4,5,6,8, FCC part15 Class A

Model No.	Input (VDC)	Output (VDC)	Current (mA)	R&N (mVp-p)
SKA20A-05	9~18	5	4000	50
SKA20A-12	9~18	12	1666	60
SKA20A-15	9~18	15	1333	60
SKA20B-05	18~36	5	4000	50
SKA20B-12	18~36	12	1666	60
SKA20B-15	18~36	15	1333	60
SKA20C-05	36~75	5	4000	50
SKA20C-12	36~75	12	1666	60
SKA20C-15	36~75	15	1333	60



Who can provide you better services and be a trustworthy partner in the power industry?

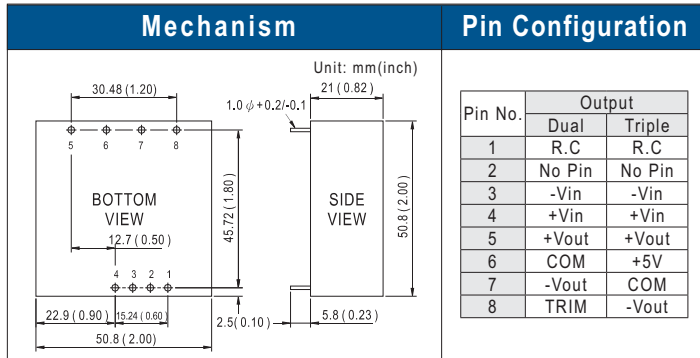
— "MEAN WELL" tries to be —

### 25~30W DC-DC Regulated Dual and Triple Output



2"x 2"x 0.82"

- 2:1 wide input range
- 4:1 wide input range(option)
- 1000VDC I/O isolation
- Built-in remote ON/OFF control
- Built-in EMI filter
- Trimming output ( $\pm 10\%$ ) for dual output
- Protections: Short circuit / Overload
- Cooling by free air convection
- Six-sided shield metal case
- 100% full load burn-in test
- Low cost, high reliability
- 2 years warranty



- Voltage set point accuracy ....  $\pm 2\%$  (max.)
- Line regulation .....  $\pm 0.5\%$  (max.) for dual output;  
 $\pm 1\%$  (max.) for triple output
- Load regulation .....  $\pm 0.5\%$  (10%~full load)(Dual)  
 $\pm 5\%$  (20%~full load)(Triple)
- Efficiency ..... 83% (typical)
- Short circuit protection ..... continuous, auto-recovery
- Overload protection ..... 110%~250%, auto-recovery
- I/O isolation voltage ..... 1000VDC (min.)
- I/O isolation resistance ..... 100M $\Omega$  (min.)@ 500VDC
- Working temperature ..... -40~+85°C (refer to output derating curve)
- Storage temperature ..... -40°C to +105°C
- Temp. Coefficient .....  $\pm 0.03\%$  / °C (max.)
- Case material ..... Six-sided shield metal case
- EMC ..... Compliance to EN55022 Class B,  
 EN61000-4-2,3,4,5,6,8, FCC part15 Class B

#### ♦ Dual Output

Model No.	Input (VDC)	Output (VDC)	Current (mA)	R&N (mVp-p)
DKA30A-05	9~18	$\pm 5$	$\pm 2500$	100
DKA30A-12	9~18	$\pm 12$	$\pm 1250$	100
DKA30A-15	9~18	15	$\pm 1000$	100
DKA30B-05	18~36	$\pm 5$	$\pm 2500$	100
DKA30B-12	18~36	$\pm 12$	$\pm 1250$	100
DKA30B-15	18~36	$\pm 15$	$\pm 1000$	100
DKA30C-05	36~72	$\pm 5$	$\pm 2500$	100
DKA30C-12	36~72	$\pm 12$	$\pm 1250$	100
DKA30C-15	36~72	$\pm 15$	$\pm 1000$	100

#### ♦ Triple Output

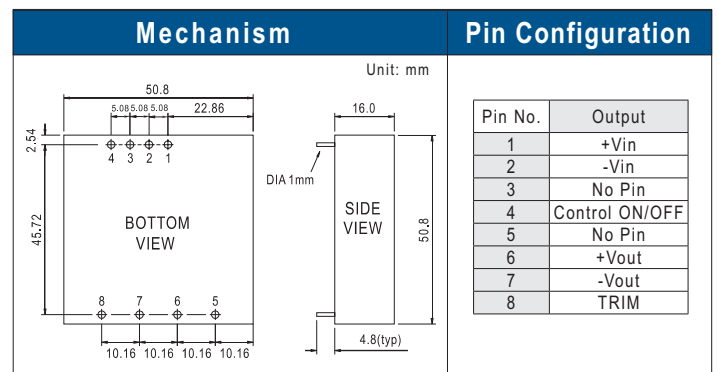
Model No.	Input (VDC)	Output (VDC)	Current (mA)	R&N (mVp-p)
TKA30A-B	9~18	+5 / $\pm 12$	3500 / $\pm 310$	100
TKA30A-C	9~18	+5 / $\pm 15$	3500 / $\pm 250$	100
TKA30B-B	18~36	+5 / $\pm 12$	3500 / $\pm 310$	100
TKA30B-C	18~36	+5 / $\pm 15$	3500 / $\pm 250$	100
TKA30C-B	36~72	+5 / $\pm 12$	3500 / $\pm 310$	100
TKA30C-C	36~72	+5 / $\pm 15$	3500 / $\pm 250$	100

### 30W DC-DC Regulated Single Output



2"x 2"x 0.63"

- 2:1 wide input range
- 1000VDC I/O isolation
- Built-in remote ON/OFF control
- Built-in EMI filter
- Trimming output ( $\pm 10\%$ )
- Protections: Short circuit / Overload / Over voltage
- Cooling by free air convection
- Compact size, high efficiency
- 100% full load burn-in test
- Low cost, high reliability
- 2 years warranty



- Voltage set point accuracy ...  $\pm 2\%$  (max.) ( $\pm 3\%$  for 3.3VDC models)
- Line regulation .....  $\pm 1\%$  (max.)
- Load regulation .....  $\pm 1\%$  (max.) @ 10%~full load
- Overload protection ..... Over 105% power limiting, auto-recovery
- Over voltage protection ..... 115%~150% rated output voltage
- Efficiency (typical) ..... 80% for 12V input  
 83% for 24V input  
 85% for 48V input
- I/O isolation voltage ..... 1000VDC (min.)
- I/O isolation resistance ..... 100M $\Omega$  (min.) @ 500VDC
- Working temperature ..... -25~+85°C (refer to output derating curve)
- Storage temperature ..... -25°C to 85°C
- Case Material ..... Six-sided shield metal case
- EMC ..... Compliance to EN55022 class B,  
 EN61000-4-2,3,4,6,8
- Packing ..... 0.1kg ; 150pcs / 15.8kg / 0.97CUFT

Model No.	Input (VDC)	Output (VDC)	Current (A)	R&N (mVp-p)
SDM30-12S3	9~18	3.3	5.0	75
SDM30-12S5	9~18	5	5.0	75
SDM30-12S12	9~18	12	2.1	100
SDM30-12S15	9~18	15	1.7	100
SDM30-24S3	18~36	3.3	5.0	75
SDM30-24S5	18~36	5	5.0	75
SDM30-24S12	18~36	12	2.5	100
SDM30-24S15	18~36	15	2.0	100
SDM30-48S3	36~72	3.3	5.0	75
SDM30-48S5	36~72	5	5.0	75
SDM30-48S12	36~72	12	2.5	100
SDM30-48S15	36~72	15	2.0	100

### 40W DC-DC Regulated Single Output



2"x 2"x 0.43"

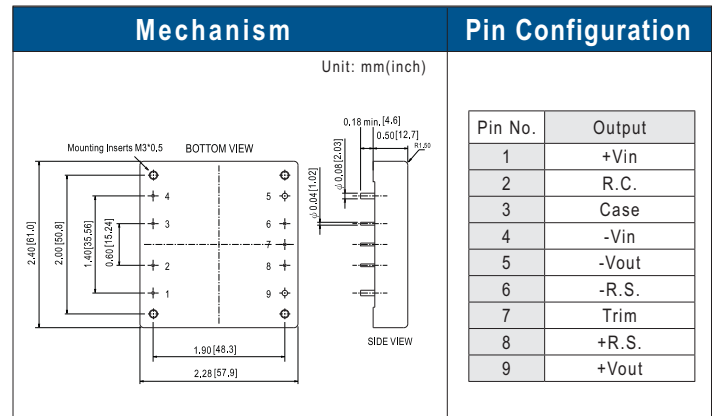
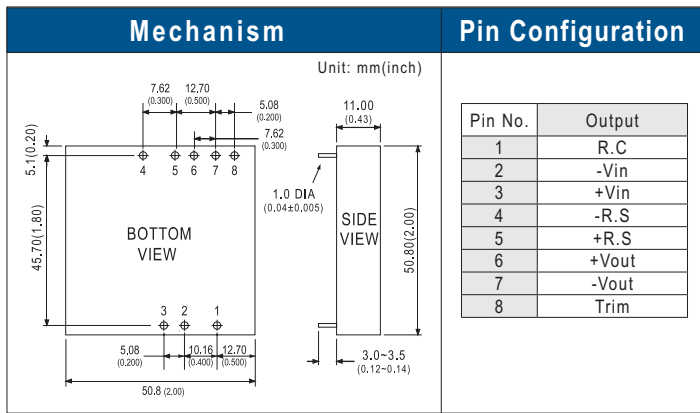
- 2"x2" compact size
- 2:1 wide input range
- 1500VDC I/O isolation
- High efficiency up to 92%
- Built-in remote ON/OFF control
- Built-in remote sense
- Built-in EMI filter
- Trimming output ( $\pm 10\%$ )
- Protections: Short circuit / Overload / Over voltage
- Cooling by free air convection
- 100% full load burn-in test
- Low cost, high reliability
- Output 3.3V / 9V models available
- 2 years warranty

### 75W DC-DC Half-Brick Regulated Single Output



2.28"x 2.4"x 0.5"

- Half-brick size (2.28"x 2.4"x 0.5") with industry standard pin out
- 2:1 wide input range
- 1500VDC I/O isolation
- High efficiency up to 89%
- Built-in remote ON/OFF control
- Built-in remote sense
- Trimming output ( $\pm 10\%$ )
- Protections: Short circuit / Over current / Over voltage / Over temperature
- Five-sided shield metal case
- Output 2.5V / 3.3V / 15V available
- Optional heatsink available
- 3 years warranty



- Voltage set point accuracy ...  $\pm 2\%$  (max.)
- Line regulation .....  $\pm 0.5\%$  (max.)
- Load regulation .....  $\pm 0.5\%$  (max.) @10%~full load
- Overload protection ..... 110%~180%, auto-recovery
- Over voltage protection ..... Clamp by TVS diode
- Efficiency ..... 92% (typical)
- I/O isolation voltage ..... 1500VDC(min.)
- I/O isolation resistance ..... 100M $\Omega$ (min.) @500VDC
- Working temperature ..... -40~+80°C (refer to output derating curve)
- Storage temperature ..... -55°C to +105°C
- Case Material ..... Six-sided shield metal case
- EMC ..... Compliance to EN55022 class A, EN61000-4-2,3,4,5,6,8, FCC part15 classA

- Voltage set point accuracy ...  $\pm 1\%$  (max.)
- Line regulation .....  $\pm 0.2\%$  (max.)
- Load regulation .....  $\pm 0.2\%$  (max.)
- Over current protection ..... 110%~150%, auto-recovery
- Over voltage protection ..... 115%~140% rated output voltage, clamp by TVS diode
- Over temperature protection .... 100°C $\pm 5^\circ$ C of case temperature
- Efficiency ..... 89% (typical)
- I/O isolation voltage ..... 1500VDC(min.)
- I/O isolation resistance ..... 100M $\Omega$ (min.) @500VDC
- Working temperature ..... -40~+100°C of case temp.(refer to output derating curve)
- Storage temperature ..... -55~+105°C
- Safety standards ..... UL60950-1 approved
- Case Material ..... Five-sided shield metal case
- EMC ..... Compliance to EN55022 class A with external components (refer to "EMC suggestion circuit"), EN61000-4-2,3,4,5,6,8

Model No.	Input (VDC)	Output (VDC)	Current (A)	R&N (mVp-p)
SKA40A-05	9~18	5	7.00	60
SKA40A-12	9~18	12	3.33	80
SKA40A-15	9~18	15	2.67	100
SKA40B-05	18~36	5	7.00	60
SKA40B-12	18~36	12	3.33	80
SKA40B-15	18~36	15	2.67	100
SKA40C-05	36~75	5	7.00	60
SKA40C-12	36~75	12	3.33	80
SKA40C-15	36~75	15	2.67	100

Model No.	Input (VDC)	Output (VDC)	Current (A)	R&N (mVp-p)
MHB75-12S05	9~18	5	15	75
MHB75-12S12	9~18	12	6.25	100
MHB75-12S24	9~18	24	3.13	150
MHB75-24S05	18~36	5	15	75
MHB75-24S12	18~36	12	6.25	100
MHB75-24S24	18~36	24	3.13	150
MHB75-48S05	36~75	5	15	75
MHB75-48S12	36~75	12	6.25	100
MHB75-48S24	36~75	24	3.13	150

### 100W DC-DC Half-Brick Regulated Single Output



2.28" x 2.4" x 0.5"

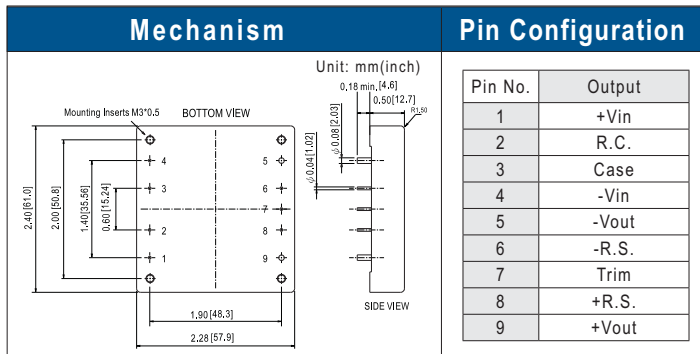
- Half-brick size (2.28"x 2.4"x 0.5") with industry standard pin out
- 2:1 wide input range
- 1500VDC I/O isolation
- High efficiency up to 89%
- Built-in remote ON/OFF control
- Built-in remote sense
- Trimming output ( $\pm 10\%$ )
- Protections: Short circuit / Over current / Over voltage / Over temperature
- Five-sided shield metal case
- Output 2.5V / 3.3V / 15V available
- Optional heatsink available
- 3 years warranty

### 150W DC-DC Half-Brick Regulated Single Output



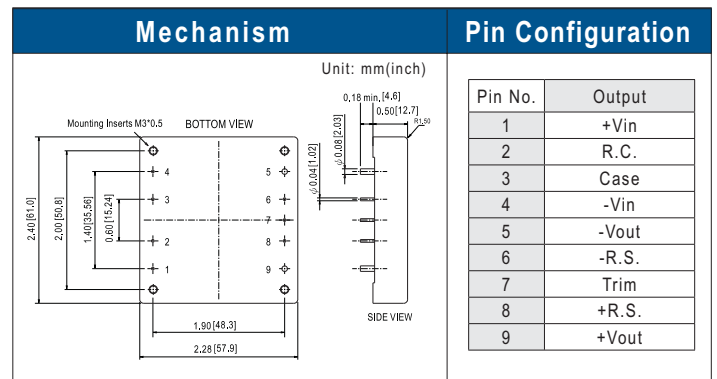
2.28" x 2.4" x 0.5"

- Half-brick size (2.28"x 2.4"x 0.5") with industry standard pin out
- 2:1 wide input range
- 1500VDC I/O isolation
- High efficiency up to 89%
- Built-in remote ON/OFF control
- Built-in remote sense
- Trimming output ( $\pm 10\%$ )
- Protections: Short circuit / Over current / Over voltage / Over temperature
- Five-sided shield metal case
- Output 2.5V / 3.3V / 15V available
- Optional heatsink available
- 3 years warranty



- Voltage set point accuracy ...  $\pm 1\%$  (max.)  
 Line regulation .....  $\pm 0.2\%$  (max.)  
 Load regulation .....  $\pm 0.2\%$  (max.)  
 Over current protection ..... 110%~140%, auto-recovery  
 Over voltage protection ..... 115%~140% rated output voltage, clamp by TVS diode  
 Over temperature protection .....  $100^{\circ}\text{C} \pm 5^{\circ}\text{C}$  of case temperature  
 Efficiency ..... 89% (typical)  
 I/O isolation voltage ..... 1500VDC(min.)  
 I/O isolation resistance .....  $100\text{M}\Omega$ (min.) @500VDC  
 Working temperature .....  $-40 \sim +100^{\circ}\text{C}$  of case temp.(refer to output derating curve)  
 Storage temperature .....  $-55 \sim +105^{\circ}\text{C}$   
 Safety standards ..... UL60950-1 approved  
 Case Material ..... Five-sided shield metal case  
 EMC ..... Compliance to EN55022 class A with external components(refer to "EMC suggestion circuit"), EN61000-4-2,3,4,5,6,8

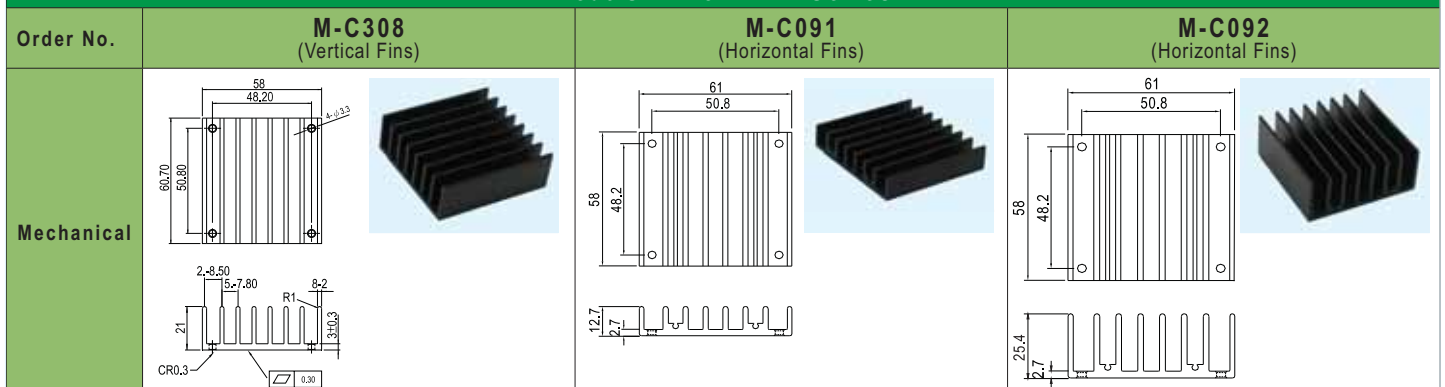
Model No.	Input (VDC)	Output (VDC)	Current (A)	R&N (mVp-p)
MHB100-24S05	18~36	5	20	100
MHB100-24S12	18~36	12	8.3	150
MHB100-24S24	18~36	24	4.17	240
MHB100-48S05	36~75	5	20	100
MHB100-48S12	36~75	12	8.3	150
MHB100-48S24	36~75	24	4.17	240



- Voltage set point accuracy ...  $\pm 1\%$  (max.)  
 Line regulation .....  $\pm 0.2\%$  (max.)  
 Load regulation .....  $\pm 0.2\%$  (max.)  
 Over current protection ..... 110%~150%, auto-recovery  
 Over voltage protection ..... 115%~140% rated output voltage, clamp by TVS diode  
 Over temperature protection .....  $100^{\circ}\text{C} \pm 5^{\circ}\text{C}$  of case temperature  
 Efficiency ..... 89% (typical)  
 I/O isolation voltage ..... 1500VDC(min.)  
 I/O isolation resistance .....  $100\text{M}\Omega$ (min.) @500VDC  
 Working temperature .....  $-40 \sim +100^{\circ}\text{C}$  of case temp.(refer to output derating curve)  
 Storage temperature .....  $-55 \sim +105^{\circ}\text{C}$   
 Safety standards ..... UL60950-1 approved  
 Case Material ..... Five-sided shield metal case  
 EMC ..... Compliance to EN55022 class A with external components(refer to "EMC suggestion circuit"), EN61000-4-2,3,4,5,6,8

Model No.	Input (VDC)	Output (VDC)	Current (A)	R&N (mVp-p)
MHB150-48S05	36~75	5	30	100
MHB150-48S12	36~75	12	12.5	150
MHB150-48S24	36~75	24	6.25	240

### Heat Sink for MHB Series



Note: Power module and heat sink should be ordered separately; The heat sinks can be used with MHB75/100/150 series.

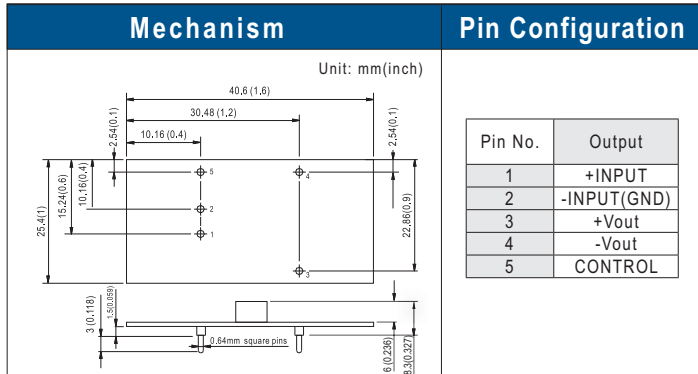
### 5W DC-DC Regulated Single Output

**CBCE**



1.6"x 1"x 0.327"

- 4:1 wide input range
- 1000VDC I/O isolation
- Built-in EMI filter
- Protections: Short circuit / Overload / Over voltage
- Built-in remote ON/OFF control
- Cooling by free air convection
- 100% full load burn-in test
- Low cost, high reliability
- 2 years warranty



- Voltage set point accuracy ... $\pm 2.0\%$  (max.)
- Line regulation .....  $\pm 1.0\%$  (max.)
- Load regulation .....  $\pm 1\sim\pm 2\%$  (max.)@10%~full load
- Efficiency ..... 85% (typical)
- Short circuit protection ..... continuous, auto-recovery
- Overload protection ..... over 105% power limiting, auto-recovery
- I/O isolation voltage ..... 1000VDC
- I/O isolation resistance ..... 100M $\Omega$  (min.)@ 500VDC, 25 $^{\circ}$ C 70% RH
- Working temperature ..... -25 $^{\circ}$ C to +70 $^{\circ}$ C (refer to output derating curve)
- Storage temperature ..... -40 $^{\circ}$ C to +85 $^{\circ}$ C
- Temp. Coefficient .....  $\pm 0.03\%$  /  $^{\circ}$ C (0~60 $^{\circ}$ C)
- Safety standards ..... IEC60950-1 CB approved by TUV
- EMC standards ..... EN55022 Class B, EN61000-4-2,3,4,5,6,8
- Packing ..... 0.007kg ; 700pcs / 5.9kg / 0.97CUFT

Model No.	Input (VDC)	Output (VDC)	Current (mA)	R&N (mVp-p)
NSD05-12S3	9.2~36	3.3	1200	75
NSD05-12S5	9.2~36	5	1000	75
NSD05-12S12	9.2~36	12	420	75
NSD05-12S15	9.2~36	15	330	75
NSD05-48S3	18~72	3.3	1200	75
NSD05-48S5	18~72	5	1000	75
NSD05-48S12	18~72	12	420	75
NSD05-48S15	18~72	15	330	75

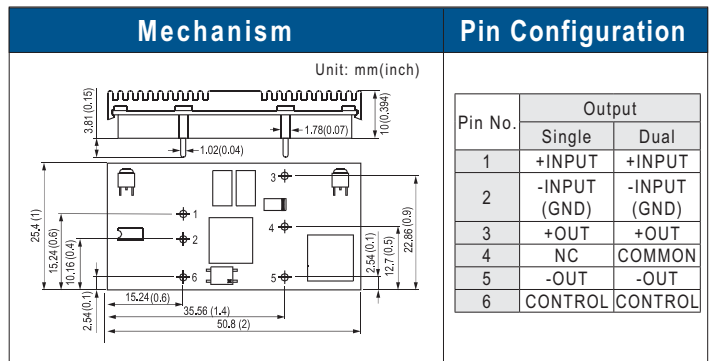
### 10W DC-DC Regulated Single and Dual Output

**us CE**



2"x 1"x 0.394"

- 4:1 wide input range
- 1000VDC I/O isolation
- Protections: Short circuit / Overload / Over voltage
- Built-in EMI filter
- Built-in remote ON/OFF control
- Cooling by free air convection
- 100% full load burn-in test
- Low cost, high reliability
- 2 years warranty



- Voltage set point accuracy .....  $\pm 2\%$  (max.)
- Line regulation .....  $\pm 1\%$  @10%~full load
- Load regulation .....  $\pm 1\sim\pm 3\%$  @10%~full load
- Efficiency ..... 80% (typical)
- Short circuit protection ..... continuous, auto-recovery
- Over voltage protection ..... clamp@115~150%
- Shutdown idle current ..... 20mA
- I/O isolation voltage ..... 1000VDC
- I/O isolation resistance ..... 100M $\Omega$  (min.) @500VDC
- Working temperature ..... -25~+70 $^{\circ}$ C
- Storage temperature ..... -40~+85 $^{\circ}$ C
- Temp. coefficient .....  $\pm 0.03\%$  /  $^{\circ}$ C (0~60 $^{\circ}$ C)
- Safety standards ..... UL60950-1 approved
- EMC standards ..... EN55022 Class B, EN61000-4-2,3,4,6,8
- Packing ..... 0.02kg ; 300pcs / 7.0kg / 0.97CUFT

#### Single Output

Model No.	Input (VDC)	Output (VDC)	Current (mA)	R&N (mVp-p)
NSD10-12S3	9.8~36	3.3	2500	75
NSD10-12S5	9.8~36	5	2000	75
NSD10-12S9	9.8~36	9	1100	75
NSD10-12S12	9.8~36	12	830	75
NSD10-12S15	9.8~36	15	670	75
NSD10-48S3	22~72	3.3	2500	75
NSD10-48S5	22~72	5	2000	75
NSD10-48S9	22~72	9	1100	75
NSD10-48S12	22~72	12	830	75
NSD10-48S15	22~72	15	670	75

#### Dual Output

Model No.	Input (VDC)	Output (VDC)	Current (mA)	R&N (mVp-p)
NSD10-12D5	9.8~36	$\pm 5$	$\pm 50\sim 1000$	75
NSD10-12D12	9.8~36	$\pm 12$	$\pm 20\sim 420$	75
NSD10-12D15	9.8~36	$\pm 15$	$\pm 16\sim 330$	75
NSD10-48D5	22~72	$\pm 5$	$\pm 50\sim 1000$	75
NSD10-48D12	22~72	$\pm 12$	$\pm 20\sim 420$	75
NSD10-48D15	22~72	$\pm 15$	$\pm 16\sim 330$	75



We provide specification, drawing, test report and more information, please visit our website —

<http://www.meanwell.com>



#### 48hrs delivery—

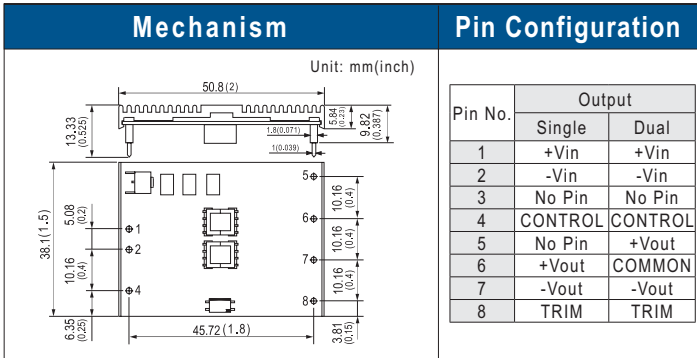
We keep enough stock for 95% of standard models at our 2400m<sup>2</sup> warehouse. We can arrange prompt delivery within 48hrs.

### 15W DC-DC Regulated Single and Dual Output



2"x 1.5"x 0.387"

- 4:1 wide input range
- 1500VDC I/O isolation
- Protections: Short circuit / Overload / Over voltage
- Built-in EMI filter
- Output voltage trimming function
- Built-in remote ON/OFF control
- Cooling by free air convection
- 100% full load burn-in test
- Low cost, high reliability
- 2 years warranty



- Voltage set point accuracy .....  $\pm 2\%$  (max.)
- Line regulation .....  $\pm 1\%$  @10%~full load
- Load regulation .....  $\pm 1\sim\pm 3\%$  @10%~full load
- Efficiency ..... 85% (typical)
- Short circuit protection ..... continuous, auto-recovery
- Over voltage protection ..... clamp@115~150%
- Shutdown idle current ..... 20mA
- I/O isolation voltage ..... 1500VDC
- I/O isolation resistance ..... 100M $\Omega$  (min.) @500VDC
- Working temperature ..... -25~+70°C
- Storage temperature ..... -40~+85°C
- Temp. coefficient .....  $\pm 0.03\%$  / °C(0~50°C)
- Safety standards ..... UL60950-1 approved
- EMC standards ..... EN55022 Class B, EN61000-4-2,3,4,6,8
- Packing ..... 0.03kg ; 180pcs / 6.4kg / 0.97CUFT

#### ◆ Single Output

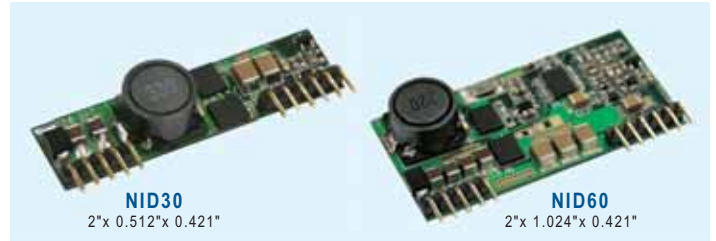
Model No.	Input (VDC)	Output (VDC)	Current (mA)	R&N (mVp-p)
NSD15-12S3	9.4~36	3.3	3750	100
NSD15-12S5	9.4~36	5	3000	75
NSD15-12S12	9.4~36	12	1250	75
NSD15-12S15	9.4~36	15	1000	75
NSD15-48S3	18~72	3.3	3750	100
NSD15-48S5	18~72	5	3000	75
NSD15-48S12	18~72	12	1250	75
NSD15-48S15	18~72	15	1000	75

#### ◆ Dual Output

Model No.	Input (VDC)	Output (VDC)	Current (mA)	R&N (mVp-p)
NSD15-12D5	9.4~36	$\pm 5$	$\pm 70\sim 1500$	100
NSD15-12D12	9.4~36	$\pm 12$	$\pm 30\sim 620$	100
NSD15-12D15	9.4~36	$\pm 15$	$\pm 20\sim 500$	100
NSD15-48D5	18~72	$\pm 5$	$\pm 70\sim 1500$	100
NSD15-48D12	18~72	$\pm 12$	$\pm 30\sim 620$	100
NSD15-48D15	18~72	$\pm 15$	$\pm 20\sim 500$	100

### 12.5~60W Single Output Non-isolated DC-DC Converter

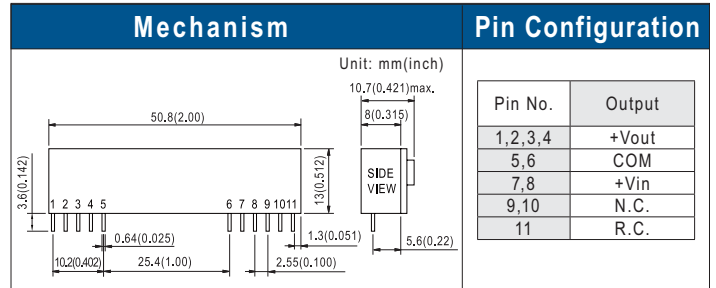
- Non-isolated, fix-frequency at 250kHz
- 3:1 wide input range for 5~15V output
- $\pm 2\%$  output voltage accuracy
- **High efficiency up to 96%**
- Built-in remote ON/OFF control
- Compact size
- Cooling by free air convection
- **Economical open frame design**
- Protections: Short circuit / Overload / Over voltage
- 2 years warranty



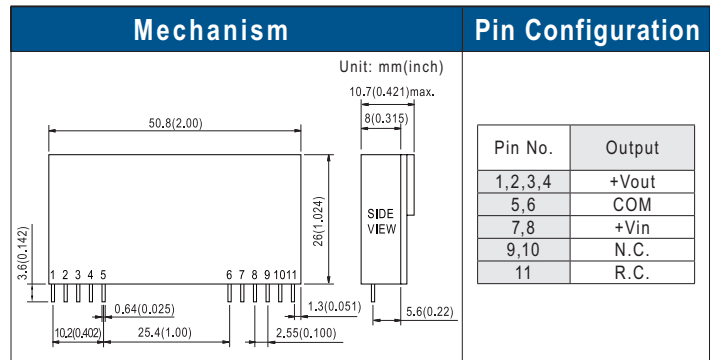
NID30  
2"x 0.512"x 0.421"

NID60  
2"x 1.024"x 0.421"

#### ◆ NID30 Series



#### ◆ NID60 Series



- Voltage set point accuracy .....  $\pm 2\%$  (max.)
- Line regulation .....  $\pm 0.5\%$
- Load regulation .....  $\pm 0.5\%$  @ 10~100% load
- Efficiency ..... 96% (typical)
- Short circuit protection ..... Continuous, auto-recovery
- Overload protection ..... 120%~300%, auto-recovery
- Over voltage protection ..... Clamp by TVS Diode
- Working temperature ..... -40~+65°C (refer to derating curve)
- Storage temperature ..... -40~+105°C
- Temp. coefficient .....  $\pm 0.03\%$  / °C(0~50°C)

#### ◆ NID30 Series

Model No.	Input	Output	R&N	Effi
NID30S24-05	20~53V	5V, 0~2.50A	100mV	91%
NID30S24-12	20~53V	12V, 0~2.50A	120mV	95%
NID30S24-15	20~53V	15V, 0~2.00A	150mV	96%
NID30S48-24	30~53V	24V, 0~1.25A	200mV	93%

#### ◆ NID60 Series

Model No.	Input	Output	R&N	Effi
NID60S24-05	20~53V	5V, 0~4.0A	100mV	90%
NID60S24-12	20~53V	12V, 0~4.0A	120mV	95%
NID60S24-15	20~53V	15V, 0~4.0A	150mV	96%
NID60S48-24	30~53V	24V, 0~2.5A	200mV	95%

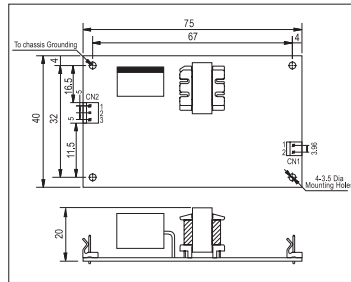


### 5W Single Output DC-DC Converter

- 2:1 wide input range
- 2000VAC I/O isolation
- Protections: Short circuit / Overload / Over voltage / Over temp.
- Built-in EMI filter, low ripple noise
- 100% full load burn-in test
- Low cost, high reliability
- 2 years warranty



75x 40x 20 mm



Line and load regulation ...  $\pm 1.0\%$  (max.)  
 Overload protection ..... >105% fold back current limiting, auto-recovery  
 Over voltage protection .... 115%~135% rated output voltage  
 Withstand voltage ..... I/P-O/P: 2kVAC, I/P-FG: 1.5kVAC, 1 minute  
 Isolation resistance ..... 100M $\Omega$  (min.) @500VDC  
 Working temperature ..... -10~+60°C (refer to output derating curve)  
 Safety standards ..... Meet LVD  
 EMC standards ..... EN55022 class B, EN61000-4-2,3,4,6,8  
 Connection ..... 3P, 2P / 3.96mm pitch, Molex 5285-03, 5273-02  
 Packing ..... 0.05kg ; 120pcs / 6.25kg / 1.0CUFT

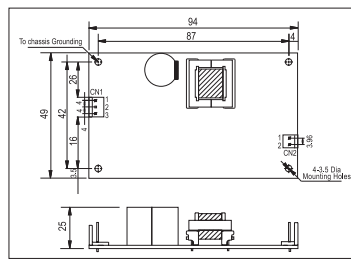
Model No.	Input	Output	R&N	Effi.
PSD-05-5	36~72V	5V, 0~1.0A	50mV	75%
PSD-05-12	36~72V	12V, 0~0.45A	100mV	78%
PSD-05-24	36~72V	24V, 0~0.22A	150mV	78%

### 15W Single Output DC-DC Converter

- 2:1 wide input range
- 2000VAC I/O isolation
- Protections: Short circuit / Overload / Over voltage / Polarity
- Built-in EMI filter, low ripple noise
- 100% full load burn-in test
- Low cost, high reliability
- 2 years warranty



94x 49x 25 mm



Line and load regulation ....  $\pm 1.0\%$  (max.)  
 Overload protection ..... 105%~150% hiccup mode, auto-recovery  
 Over voltage protection .... 115%~135% rated output voltage  
 Withstand voltage ..... I/P-O/P: 2kVAC, I/P-FG: 1.5kVAC, 1 minute  
 Isolation resistance ..... 100M $\Omega$  (min.) @500VDC  
 Working temperature ..... -10~+60°C (refer to output derating curve)  
 Safety standards ..... Meet LVD  
 EMC standards ..... EN55022 class B, EN61000-4-2,3,4,6,8  
 Connection ..... 3P, 2P / 3.96mm pitch, JST B3P/B2P-VH  
 Packing ..... 0.081kg ; 120pcs / 10.72kg

Model No.	Input	Output	R&N	Effi.
PSD-15A-5	9.2~18V	5V, 0~3.0A	50mV	74%
PSD-15A-12	9.2~18V	12V, 0~1.25A	100mV	67%
PSD-15A-24	9.2~18V	24V, 0~0.6A	100mV	72%
PSD-15B-5	18~36V	5V, 0~3.0A	50mV	78%
PSD-15B-12	18~36V	12V, 0~1.25A	100mV	78%
PSD-15B-24	18~36V	24V, 0~0.6A	100mV	78%
PSD-15C-5	36~72V	5V, 0~3.0A	50mV	78%
PSD-15C-12	36~72V	12V, 0~1.25A	100mV	78%
PSD-15C-24	36~72V	24V, 0~0.6A	100mV	79%

### 30W Single Output DC-DC Converter



101.6x 50.8x 30 mm

- 2:1 wide input range
- Protections: Short circuit / Overload / Over voltage / Reverse polarity
- 1500VAC I/O isolation
- Cooling by free air convection
- Built-in EMI filter, low ripple noise
- 100% full load burn-in test
- Low cost, high reliability
- 2 years warranty

DC adjustment range ..... 5V: 4.5~5.5V, 12V: 11~13.5V, 24V: 22~26V  
 Line and load regulation ..  $\pm 1\%$  (max.)  
 Overload protection ..... 105%~150% hiccup mode, auto-recovery  
 Over voltage protection ... 115%~135% rated output voltage  
 Withstand voltage ..... I/P-O/P: 1.5kVAC, I/P-FG: 1.5kVAC, 1 minute  
 Working temperature ..... -20~+55°C (refer to output derating curve)  
 EMC standards ..... EN55022 class B, EN61000-4-2,3,4,6,8, EN55024  
 Connection ..... 3P, 4P / 3.96mm pitch, JST B3P/B4P-VH-B

Model No.	Input	Output	R&N	Effi.
PSD-30A-05	9~18V	5V, 0~5.0A	100mV	77%
PSD-30A-12	9~18V	12V, 0~2.5A	120mV	77%
PSD-30A-24	9~18V	24V, 0~1.25A	150mV	78%
PSD-30B-05	18~36V	5V, 0~5.0A	100mV	79%
PSD-30B-12	18~36V	12V, 0~2.5A	120mV	80%
PSD-30B-24	18~36V	24V, 0~1.25A	150mV	83%
PSD-30C-05	36~72V	5V, 0~5.0A	100mV	80%
PSD-30C-12	36~72V	12V, 0~2.5A	120mV	82%
PSD-30C-24	36~72V	24V, 0~1.25A	150mV	83%

### 45W Single Output DC-DC Converter



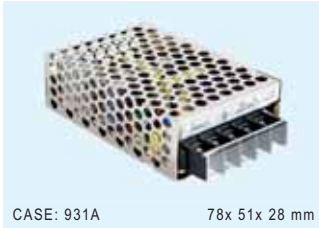
127x 76x 30 mm

- 2:1 wide input range
- Protections: Short circuit / Overload / Over voltage / Reverse polarity
- Cooling by free air convection
- Built-in EMI filter, low ripple noise
- 100% full load burn-in test
- Fixed switching frequency at 96kHz
- Low cost
- 2 years warranty

DC adjustment range ..... 5V: 4.5~5.5V, 12V: 10.8~13.2V, 24V: 21.6~26.4V  
 Line and load regulation ....  $\pm 1\%$  (max.)  
 Overload protection ..... 105%~160% shut down, re-power on to recover  
 Over voltage protection .... 115%~135% rated output voltage  
 Withstand voltage ..... I/P-O/P: 1.5kVAC, I/P-FG: 1.5kVAC, 1 minute  
 Working temperature ..... -10~+60°C (refer to output derating curve)  
 Safety standards ..... EN60950-1 CB approved by TUV  
 EMC standards ..... EN55022 class B, EN61000-4-2,3,4,6,8, EN55024  
 Connection ..... 2P, 6P / 3.96mm pitch, Molex 5277-02, 5273-06  
 Packing ..... 0.19kg ; 72pcs / 15.6kg / 1.35CUFT

Model No.	Input	Output	R&N	Effi.
PSD-45A-05	9.2~18V	5V, 0~6.0A	100mV	74%
PSD-45A-12	9.2~18V	12V, 0~2.5A	120mV	79%
PSD-45A-24	9.2~18V	24V, 0~1.25A	150mV	80%
PSD-45B-05	18~36V	5V, 0~9.0A	100mV	77%
PSD-45B-12	18~36V	12V, 0~3.75A	120mV	82%
PSD-45B-24	18~36V	24V, 0~1.875A	150mV	85%
PSD-45C-05	37~72V	5V, 0~9.0A	100mV	80%
PSD-45C-12	37~72V	12V, 0~3.75A	120mV	83%
PSD-45C-24	37~72V	24V, 0~1.875A	150mV	86%

### 15W Single Output DC-DC Converter



- 2:1 wide input range
- 2000VAC I/O isolation
- Cooling by free air convection
- Protections: Short circuit / Over load / Over voltage
- Built-in EMI filter, low ripple noise
- 100% full load burn-in test
- Low cost, high reliability
- 2 years warranty

DC adjustment range ..... 5V: 4.75~5.5V, 12V: 10.8~13.2V,  
24V: 21.6~26.4V

Line and load regulation .... ±0.5% (max.)

Overload protection ..... 105%~160% hiccup mode, auto-recovery

Over voltage protection ..... 115%~135% rated output voltage

Withstand voltage ..... I/P-O/P: 2kVAC, I/P-FG: 1.5kVAC, 1 minute

Working temperature ..... -10~+60°C (refer to output derating curve)

Safety standard ..... Meet LVD

EMC standards ..... EN55022 class B, EN61000-4-2,3,4,6,8

Packing ..... 0.18kg ; 60pcs / 11.8kg

Model No.	Input	Output	R&N	Effi.
SD-15A-5	9.2~18V	5V, 0~3.0A	100mV	68%
SD-15A-12	9.2~18V	12V, 0~1.25A	120mV	72%
SD-15A-24	9.2~18V	24V, 0~0.625A	150mV	70%
SD-15B-5	18~36V	5V, 0~3.0A	100mV	76%
SD-15B-12	18~36V	12V, 0~1.25A	120mV	76%
SD-15B-24	18~36V	24V, 0~0.625A	150mV	77%
SD-15C-5	36~72V	5V, 0~3.0A	100mV	75%
SD-15C-12	36~72V	12V, 0~1.25A	120mV	79%
SD-15C-24	36~72V	24V, 0~0.625A	150mV	78%

### 50W Single Output DC-DC Converter



- 2:1 wide input range
- 1500VAC I/O isolation
- Protections: Short circuit / Over load / Over voltage
- Built-in EMI filter, low ripple noise
- Cooling by free air convection
- 100% full load burn-in test
- Low cost, high reliability
- 2 years warranty

DC adjustment range ..... 5V: 4.5~5.5V, 12V: 11~16V, 24V: 23~30V

Line and load regulation .... ±0.5% (max.)

Overload protection ..... 105%~150% hiccup mode, auto-recovery

Over voltage protection ..... 115%~165% rated output voltage

Withstand voltage ..... I/P-O/P: 1.5kVAC, I/P-FG: 1.5kVAC, 1 minute

Isolation resistance ..... 100MΩ (min.) @500VDC

Working temperature ..... -10~+60°C (refer to output derating curve)

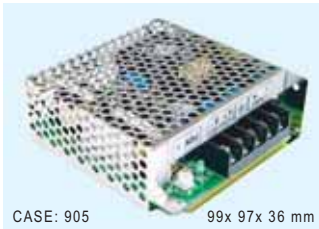
Safety standard ..... Meet LVD

EMC standards ..... EN55022 class B, EN61000-4-2,3,4,6,8

Packing ..... 0.53kg ; 24pcs / 12.7kg / 0.75CUFT

Model No.	Input	Output	R&N	Effi.
SD-50A-5	9.2~18V	5V, 0~10A	100mV	70%
SD-50A-12	9.2~18V	12V, 0~4.2A	120mV	72%
SD-50A-24	9.2~18V	24V, 0~2.1A	150mV	74%
SD-50B-5	19~36V	5V, 0~10A	100mV	73%
SD-50B-12	19~36V	12V, 0~4.2A	120mV	75%
SD-50B-24	19~36V	24V, 0~2.1A	150mV	80%
SD-50C-5	36~72V	5V, 0~10A	100mV	76%
SD-50C-12	36~72V	12V, 0~4.2A	120mV	78%
SD-50C-24	36~72V	24V, 0~2.1A	150mV	83%

### 25W Single Output DC-DC Converter



- 2:1 wide input range
- 1500VAC I/O isolation
- Protections: Short circuit / Overload / Over voltage
- Built-in EMI filter, low ripple noise
- 100% full load burn-in test
- Low cost, high reliability
- 2 years warranty

DC adjustment range ..... 5V: 4.5~5.5V, 12V: 11~16V, 24V: 23~30V

Line and load regulation .... ±0.5% (max.)

Overload protection ..... 105%~150% hiccup mode, auto-recovery

Over voltage protection ..... 115%~165% rated output voltage

Withstand voltage ..... I/P-O/P: 2kVAC, I/P-FG: 1.5kVAC, 1 minute

Isolation resistance ..... 100MΩ (min.) @500VDC

Working temperature ..... -10~+60°C (refer to output derating curve)

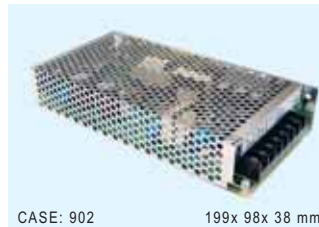
Safety standards ..... Meet LVD

EMC standards ..... EN55022 class B, EN61000-4-2,3,4,6,8

Packing ..... 0.38kg ; 45pcs / 17.8kg / 0.9CUFT

Model No.	Input	Output	R&N	Effi.
SD-25A-5	9.2~18V	5V, 0~5.0A	100mV	71%
SD-25A-12	9.2~18V	12V, 0~2.1A	120mV	72%
SD-25A-24	9.2~18V	24V, 0~1.1A	150mV	75%
SD-25B-5	19~36V	5V, 0~5.0A	100mV	72%
SD-25B-12	19~36V	12V, 0~2.1A	120mV	75%
SD-25B-24	19~36V	24V, 0~1.1A	150mV	78%
SD-25C-5	36~72V	5V, 0~5.0A	100mV	74%
SD-25C-12	36~72V	12V, 0~2.1A	120mV	78%
SD-25C-24	36~72V	24V, 0~1.1A	150mV	81%

### 100W Single Output DC-DC Converter



- 2:1 wide input range
- 1500VAC I/O isolation
- Protections: Short circuit / Overload / Over voltage
- Built-in EMI filter, low ripple noise
- 100% full load burn-in test
- Low cost, high reliability
- 2 years warranty

DC adjustment range ..... 5V: 4.5~5.5V, 12V: 11~16V, 24V: 23~30V

Line regulation ..... ±0.5% (max.)

Load regulation ..... ±0.5% (max.)

Overload protection ..... 105%~135% hiccup mode, auto-recovery

Over voltage protection ..... 115%~165% rated output voltage

Withstand voltage ..... I/P-O/P: 1.5kVAC, I/P-FG: 1.5kVAC, 1 minute

Isolation resistance ..... 100MΩ (min.) @500VDC

Working temperature ..... -10~+60°C (refer to output derating curve)

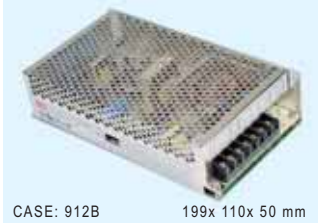
Safety standards ..... Meet LVD, EN60950-1 CB approved by TUV ( D type only)

EMC standards ..... EN55022 class B, EN61000-4-2,3,4,6,8

Packing ..... 0.65kg ; 20pcs / 13.8kg / 0.8CUFT

Model No.	Input	Output	R&N	Effi.
SD-100B-5	19~36V	5V, 0~20A	100mV	74%
SD-100B-12	19~36V	12V, 0~8.5A	120mV	75%
SD-100B-24	19~36V	24V, 0~4.2A	150mV	78%
SD-100C-5	36~72V	5V, 0~20A	100mV	75%
SD-100C-12	36~72V	12V, 0~8.5A	120mV	77%
SD-100C-24	36~72V	24V, 0~4.2A	150mV	81%
SD-100D-5	72~144V	5V, 0~20A	100mV	76%
SD-100D-12	72~144V	12V, 0~8.5A	120mV	80%
SD-100D-24	72~144V	24V, 0~4.2A	150mV	83%

### 150W Single Output DC-DC Converter



CASE: 912B 199x 110x 50 mm

- 2:1 wide input range
- 1500VAC I/O isolation
- Protections: Short circuit / Over load / Over voltage
- Built-in EMI filter, low ripple noise
- Cooling by free air convection
- 100% full load burn-in test
- Low cost, high reliability
- 2 years warranty

DC adjustment range ..... 12V: 11~16V, 24V: 23~30V  
 Line regulation .....  $\pm 0.5\%$  (max.)  
 Load regulation .....  $\pm 0.5\%$  (max.)  
 Overload protection ..... 105%~135% hiccup mode, auto-recovery  
 Over voltage protection ..... 130%~165% rated output voltage  
 Withstand voltage ..... I/P-O/P: 1.5kVAC, I/P-FG: 1.5kVAC, 1 minute  
 Isolation resistance ..... 100M $\Omega$  (min.) @500VDC  
 Working temperature ..... -10~+60°C (refer to output derating curve)  
 Safety standards ..... Meet LVD, EN60950-1 CB approved by TUV (D type only)  
 EMC standards ..... EN55022 class B, EN61000-4-2,3,4,6,8  
 Packing ..... 0.86kg ; 16pcs / 14.5kg / 0.95CUFT

Model No.	Input	Output	R&N	Effi.
SD-150B-12	19~36V	12V, 0~12.5A	120mV	75%
SD-150B-24	19~36V	24V, 0~6.3A	150mV	77%
SD-150C-12	36~72V	12V, 0~12.5A	120mV	77%
SD-150C-24	36~72V	24V, 0~6.3A	150mV	80%
SD-150D-12	72~144V	12V, 0~12.5A	120mV	79%
SD-150D-24	72~144V	24V, 0~6.3A	150mV	82%

### 200W Single Output DC-DC Converter



CASE: 912B 215x 115x 50 mm

- 2:1 wide input range
- 1500VAC I/O isolation
- Protections: Short circuit / Overload / Over voltage / Over temp.
- Cooling by free air convection
- 100% full load burn-in test
- 2 years warranty

DC adjustment range ..... 5V: 4.5~5.5V, 12V: 11~16V, 24V: 23~30V, 48V: 43~53V  
 Voltage tolerance .....  $\pm 2\%$  (max.)  
 Overload protection ..... 105%~135% shut off, re-power on to recover  
 Over voltage protection ..... 110%~167% rated output voltage  
 Withstand voltage ..... I/P-O/P: 1.5kVAC, I/P-FG: 1.5kVAC, 1 minute  
 Working temperature ..... -20~+60°C (refer to output derating curve)  
 Safety standards ..... Meet LVD, EN60950-1 CB approved by TUV (D type only)  
 EMC standards ..... EN55022 class B, EN61000-4-2,3,4,6,8  
 Packing ..... 1.1kg ; 12pcs / 14.4kg / 0.92CUFT

Model No.	Input	Output	R&N	Effi.
SD-200B-5	19~36V	5V, 0~34.0A	100mV	79%
SD-200B-12	19~36V	12V, 0~16.7A	120mV	82%
SD-200B-24	19~36V	24V, 0~8.40A	150mV	85%
SD-200B-48	19~36V	48V, 0~4.20A	200mV	86%
SD-200C-5	36~72V	5V, 0~40.0A	100mV	81%
SD-200C-12	36~72V	12V, 0~16.7A	120mV	84%
<b>SD-200C-24</b>	<b>36~72V</b>	<b>24V, 0~8.40A</b>	<b>150mV</b>	<b>86%</b>
SD-200C-48	36~72V	48V, 0~4.20A	200mV	86%
SD-200D-5	72~144V	5V, 0~40.0A	100mV	82%
SD-200D-12	72~144V	12V, 0~16.7A	120mV	82%
SD-200D-24	72~144V	24V, 0~8.40A	150mV	84%
SD-200D-48	72~144V	48V, 0~4.20A	200mV	90%

### 350W Single Output DC-DC Converter



CASE: 912B 215x 115x 50 mm

- 2:1 wide input range
- 1500VAC I/O isolation
- Protections: Short circuit / Over load / Over voltage / Over temp.
- Forced air cooling by built-in DC fan
- 100% full load burn-in test
- 2 years warranty

DC adjustment range ..... 5V: 4.5~5.5V, 12V: 11~16V, 24V: 23~30V, 48V: 43~53V  
 Voltage tolerance .....  $\pm 2\%$  (max.)  
 Overload protection ..... 105%~135% shut off, re-power on to recover  
 Over voltage protection ..... 110%~167% rated output voltage  
 Withstand voltage ..... I/P-O/P: 1.5kVAC, I/P-FG: 1.5kVAC, 1 minute  
 Working temperature ..... -20~+60°C (refer to output derating curve)  
 Safety standards ..... Meet LVD, EN60950-1 CB approved by TUV (D type only)  
 EMC standards ..... EN55022 class B, EN61000-4-2,3,4,6,8  
 Packing ..... 1.1kg ; 12pcs / 14.4kg / 0.92CUFT

Model No.	Input	Output	R&N	Effi.
SD-350B-5	19~36V	5V, 0~57.0A	100mV	74%
SD-350B-12	19~36V	12V, 0~27.5A	120mV	80%
SD-350B-24	19~36V	24V, 0~14.6A	150mV	80%
SD-350B-48	19~36V	48V, 0~7.30A	200mV	84%
SD-350C-5	36~72V	5V, 0~60.0A	100mV	76%
SD-350C-12	36~72V	12V, 0~27.5A	120mV	81%
SD-350C-24	36~72V	24V, 0~14.6A	150mV	81%
SD-350C-48	36~72V	48V, 0~7.30A	200mV	82%
SD-350D-5	72~144V	5V, 0~60.0A	100mV	78%
SD-350D-12	72~144V	12V, 0~29.2A	120mV	83%
SD-350D-24	72~144V	24V, 0~14.6A	150mV	87%
SD-350D-48	72~144V	48V, 0~7.30A	200mV	89%

### 500W Single Output DC-DC Converter



CASE: 912A 215x 115x 50 mm

- 4:1 & 2:1 DC input range
- DC input active surge current limiting
- Protections: Short circuit / Overload / Over voltage / Over temp. / Input polarity
- 2000VAC I/O Isolation
- Forced air cooling by built-in DC fan with fan speed control function
- Output OK signal
- Built-in remote ON-OFF control
- Built-in remote sense function
- 3 years warranty

DC adjustment range ..... 12V: 11~15V, 24V: 23~30V, 48V: 46~60V  
 Line regulation .....  $\pm 0.5\%$  (max.)  
 Load regulation .....  $\pm 0.5\%$  (max.)  
 Overload protection ..... 105%~125% constant current limiting, shut off after 5 sec., re-power on to recover  
 Over voltage protection ..... 130%~160% rated output voltage  
 Withstand voltage ..... I/P-O/P: 2kV, I/P-FG: 1.5kV, 1 minute  
 Isolation resistance ..... 100M $\Omega$  (min.) @500VDC  
 Working temperature ..... -20~+60°C (refer to output derating curve)  
 Safety standards ..... IEC60950-1 CB approved by TUV  
 EMC standards ..... EN55022 class B, EN61000-4-2,3,4,6,8  
 Packing ..... 1.15kg ; 12pcs / 14.8kg / 0.92CUFT

Model No.	Input	Output	R&N	Effi.
SD-500L-12	19~72V	12V, 0~40A	150mV	86%
SD-500L-24	19~72V	24V, 0~21A	150mV	88%
SD-500L-48	19~72V	48V, 0~10.5A	150mV	89%
SD-500H-12	72~144V	12V, 0~40A	150mV	87%
SD-500H-24	72~144V	24V, 0~21A	150mV	89%
SD-500H-48	72~144V	48V, 0~10.5A	150mV	90%

### 1000W Single Output DC-DC Converter

**CB CE**



- 4:1 & 2:1 wide input range
- 2000VAC I/O Isolation
- Protections: Short circuit / Overload / Over voltage / Over temp.
- Forced air cooling by built-in DC fan
- High power density 10.7W/inch<sup>3</sup>
- 1U low profile 41mm
- Output OK signal
- 12V / 0.25A auxiliary output
- Built-in remote ON/OFF control
- Built-in remote sense function
- 3 years warranty

DC adjustment range ..... 12V: 11~15V, 24V: 23~30V, 48V: 46~60V  
 Line regulation .....  $\pm 0.5\%$  (max.)  
 Load regulation .....  $\pm 0.5\%$  (max.)  
 Overload protection ..... 105%~125% constant current limiting, shut off after 5 sec., re-power on to recover  
 Over voltage protection ..... 130%~160% rated output voltage  
 Withstand voltage ..... I/P-O/P: 2kV, I/P-FG: 1.5kV, 1 minute  
 Isolation resistance ..... 100M $\Omega$  (min.) @500VDC  
 Working temperature ..... -20~+60°C (refer to output derating curve)  
 Safety standards ..... IEC60950-1 CB approved by TUV  
 EMC standards ..... EN55022 class B, EN61000-4-2,3,4,6,8  
 Packing ..... 1.94kg ; 6pcs / 12.6kg / 0.99CUFT

Model No.	Input	Output	R&N	Effi.
SD-1000L-12	19~72V	12V, 0~60A	150mV	84%
SD-1000L-24	19~72V	24V, 0~40A	150mV	88%
SD-1000L-48	19~72V	48V, 0~21A	150mV	90%
SD-1000H-12	72~144V	12V, 0~60A	150mV	85%
SD-1000H-24	72~144V	24V, 0~40A	150mV	89%
SD-1000H-48	72~144V	48V, 0~21A	150mV	92%

### 150W Railway Single Output DC-DC Converter

**CE pending**



- Compliance to EN50155 railway standard
- 2:1 wide input range
- 4000VDC I/O isolation
- Protections: Short circuit / Overload / Over voltage / Over temp./ Input reverse polarity
- Cooling by free air convection
- Built-in constant current limiting circuit
- 1U low profile 36mm
- All using 105°C long life electrolytic capacitors
- 100% full load burn-in test
- 3 years warranty

Line regulation .....  $\pm 0.5\%$  (max.)  
 Load regulation .....  $\pm 1\%$  (max.)  
 Overload protection ..... 105%~135% constant current limiting, recovers automatically after fault condition is removed  
 Over voltage protection ..... 115%~135% Shut down o/p voltage, re-power on to recover  
 Withstand voltage ..... I/P-O/P: 4kVDC, I/P-FG: 2.5kVDC, O/P-FG: 2.5kVDC  
 Isolation resistance ..... 100M $\Omega$  (min.) @500VDC  
 Working temperature ..... -40~+70°C (refer to output derating curve)  
 Safety standards ..... Meet IEC60950-1(LVD)  
 EMC standards ..... Compliance to EN55022 class B, EN50121-3-2, EN61000-4-2,3,4,6,8  
 Railway standard ..... Compliance to EN50155 / IEC60571

Model No.	Input	Output	R&N	Effi.
RSD-150B-5	14.4~33.6V	5V, 0~30A	100mV	89%
RSD-150B-12	14.4~33.6V	12V, 0~12.5A	120mV	89%
RSD-150B-24	14.4~33.6V	24V, 0~6.3A	150mV	89%
RSD-150C-5	28.8~67.2V	5V, 0~30A	100mV	90%
RSD-150C-12	28.8~67.2V	12V, 0~12.5A	120mV	91%
RSD-150C-24	28.8~67.2V	24V, 0~6.3A	150mV	91%
RSD-150D-5	57.6~154V	5V, 0~30A	100mV	90%
RSD-150D-12	57.6~154V	12V, 0~12.5A	120mV	91%
RSD-150D-24	57.6~154V	24V, 0~6.3A	150mV	91%

### 100W Railway Single Output DC-DC Converter

**CE**



- Compliance to EN50155 railway standard
- 2:1 wide input range
- 4000VDC I/O isolation
- Protections: Short circuit / Overload / Over voltage / Input reverse polarity
- Cooling by free air convection
- Built-in constant current limiting circuit
- 1U low profile 36mm
- All using 105°C long life electrolytic capacitors
- 100% full load burn-in test
- LED indicator for power on
- 3 years warranty

Line regulation .....  $\pm 0.5\%$  (max.)  
 Load regulation .....  $\pm 1\%$  (max.)  
 Overload protection ..... 105%~135% constant current limiting, recovers automatically after fault condition is removed  
 Over voltage protection ..... 115%~135% Shut down o/p voltage, re-power on to recover  
 Withstand voltage ..... I/P-O/P: 4kVDC, I/P-FG: 2.5kVDC, O/P-FG: 2.5kVDC  
 Isolation resistance ..... 100M $\Omega$  (min.) @500VDC  
 Working temperature ..... -40~+70°C (refer to output derating curve)  
 Safety standards ..... Meet IEC60950-1(LVD)  
 EMC standards ..... Compliance to EN55022 class B, EN50121-3-2, EN61000-4-2,3,4,6,8  
 Railway standard ..... Compliance to EN50155 / IEC60571

Model No.	Input	Output	R&N	Effi.
RSD-100B-5	14.4~33.6V	5V, 0~20A	100mV	88.0%
RSD-100B-12	14.4~33.6V	12V, 0~8.4A	120mV	89.0%
RSD-100B-24	14.4~33.6V	24V, 0~4.2A	150mV	89.0%
RSD-100C-5	28.8~67.2V	5V, 0~20A	100mV	89.0%
RSD-100C-12	28.8~67.2V	12V, 0~8.4A	120mV	91.0%
RSD-100C-24	28.8~67.2V	24V, 0~4.2A	150mV	91.0%
RSD-100D-5	57.6~154V	5V, 0~20A	100mV	89.5%
RSD-100D-12	57.6~154V	12V, 0~8.4A	120mV	91.0%
RSD-100D-24	57.6~154V	24V, 0~4.2A	150mV	90.0%

### 200W Railway Single Output DC-DC Converter

**CE pending**



- Design refer to EN50155 railway standard
- 2:1 wide input range
- 4000VDC I/O isolation
- Protections: Short circuit / Overload / Over voltage / Over temp./ Input reverse polarity
- Cooling by free air convection
- Built-in constant current limiting circuit
- 1U low profile 39mm
- All using 105°C long life electrolytic capacitors
- LED indicator for power on
- 3 years warranty

Line regulation .....  $\pm 0.5\%$  (max.)  
 Load regulation .....  $\pm 1\%$  (max.)  
 Overload protection ..... 105%~135% constant current limiting, recovers automatically after fault condition is removed  
 Over voltage protection ..... 115%~135% Shut down o/p voltage, re-power on to recover  
 Withstand voltage ..... I/P-O/P: 4kVDC, I/P-FG: 2.5kVDC, O/P-FG: 2.5kVDC  
 Isolation resistance ..... 100M $\Omega$  (min.) @500VDC  
 Working temperature ..... -40~+70°C (refer to output derating curve)  
 Safety standards ..... Meet IEC60950-1(LVD)  
 EMC standards ..... Compliance to EN55022 class B, EN50121-3-2, EN61000-4-2,3,4,6,8  
 Railway standard ..... Compliance to EN50155 / IEC60571

Model No.	Input	Output	R&N	Effi.
RSD-200B-12	14.4~33.6V	12V, 0~16.7A	120mV	89%
RSD-200B-24	14.4~33.6V	24V, 0~8.4A	150mV	89%
RSD-200B-48	14.4~33.6V	48V, 0~4.2A	180mV	89%
RSD-200C-12	28.8~67.2V	12V, 0~16.7A	120mV	91%
RSD-200C-24	28.8~67.2V	24V, 0~8.4A	150mV	91%
RSD-200C-48	28.8~67.2V	48V, 0~4.2A	180mV	91%
RSD-200D-12	57.6~154V	12V, 0~16.7A	120mV	91%
RSD-200D-24	57.6~154V	24V, 0~8.4A	150mV	91%
RSD-200D-48	57.6~154V	48V, 0~4.2A	180mV	91%



After 5 years of endeavor to develop LED power supplies for various LED applications, MEAN WELL's LED power family has become the second largest product line. In order to make users easily get the product information they need and considering the sales channel might be different, since this edition, we split LED power family from this catalog and put the product information on a separate LED catalog. Please contact with our sales representative to request for our new LED catalog or visit our website: [www.meanwell.com/product/led/led.html](http://www.meanwell.com/product/led/led.html).



### HLG series 40W~320W

- 95% high efficiency / PFC / IP65~67 / 277VAC / 4KV surge / 3-in-1 dimming(B-type)
- Suitable for LED street lighting, outdoor LED lighting, LED display



### PLN/HLN series 20W~96W

- PFC / 277VAC / IP64 / Class 2
- 3-in-1 dimming (HLN-B type)
- Suitable for indoor LED lighting



### CLG series 60W~150W

- 91% high efficiency / PFC / IP65~67 / 277VAC / 4KV surge
- Suitable for LED street lighting, outdoor LED lighting, LED display



### PLC series 30W~96W

- 90% high efficiency / PFC / Class 2
- Suitable for indoor LED lighting and LED display
- Screw terminal style of I/O



### CEN series 60W~96W

- 91% high efficiency / PFC / IP66 / 277VAC / 4KV surge / Class 2
- Suitable for LED street lighting and outdoor LED lighting



### LPF series 16W~90W

- 91% high efficiency / PFC / IP67 / 277VAC / Class II input / 3-in-1 dimming(D-type) / Class 2
- Suitable for indoor LED lighting, LED display



### HVG/HVGC series 100W

- Wide input range: 180~480VAC
- 92% high efficiency / PFC / IP67 / 3-in-1 dimming(B-type)
- Suitable for outdoor LED lighting and street lighting



### LP series 18W~100W

- IP67 / Class II input / Class 2 (18~60W)
- Suitable for LED-based decorative and architectural lighting, LED display



### LDV series 185W

- Multiple channel C.C. output (6CH or 12CH)
- PFC / IP67 / 277VAC
- Built-in DC/DC driver ICs in LDV-185
- Suitable for LED outdoor lighting



### APV/APC series 12~35W

- Class II input / Class 2
- Constant voltage design(C.V. mode) for APV series
- Constant current design(C.C. mode) for APC series
- Low cost, suitable for indoor LED lighting, LED display



### PLP/HLP series 20W~80W

- PFC / PCB type / 277VAC / 3-in-1 dimming (HLP)
- Suitable for LED lighting (built-in type)



### PCD/PLD series 16W/25W

- PFC / AC phase-cut dimming / Work with leading edge and trailing edge TRIAC dimmers
- Non AC dimming for PLD-25
- Suitable for indoor LED lighting



## Inverter Power Solution



**M**EAN WELL provides full range of DC/AC inverter from 100W~3000W with various options to fulfill the growth of alternative energy related applications. This product family includes solar inverter, true sine wave inverter, and modified sine wave inverter, which are highly efficient, energy-saving, low power consumption, and approved by global safety/EMC certificates per UL, E-mark, CE, and FCC. Considering the sales channel might be different, since this edition, we split the inverter power family from this catalog and put the product information on a separate Inverter catalog. Please contact with our sales representative for our new Inverter catalog or visit our website: [www.meanwell.com/product/inverter/inverter01.html](http://www.meanwell.com/product/inverter/inverter01.html).

### Modified Sine Wave

#### A301 / A302 series 100~2500W

- High frequency design
- Input and output fully isolation
- Low power consumption (standby)
- Optional remote ON/OFF control
- Built-in USB interface and without fan for 100W



### True Sine Wave

#### TS series 200~3000W

- 2 times high surge power for motor related applications
- Advanced digital control by microprocessor
- High efficiency up to 92%
- Low THD
- Standby saving mode to conserve energy



### Stand-alone Solar Inverter

#### ISI-500 series 500W

- DC/AC modified sine wave output
- Built-in MPPT solar charger
- High frequency design
- High surge power up to 1000W
- High efficiency up to 88%



### True Sine Wave with Solar Charger Function

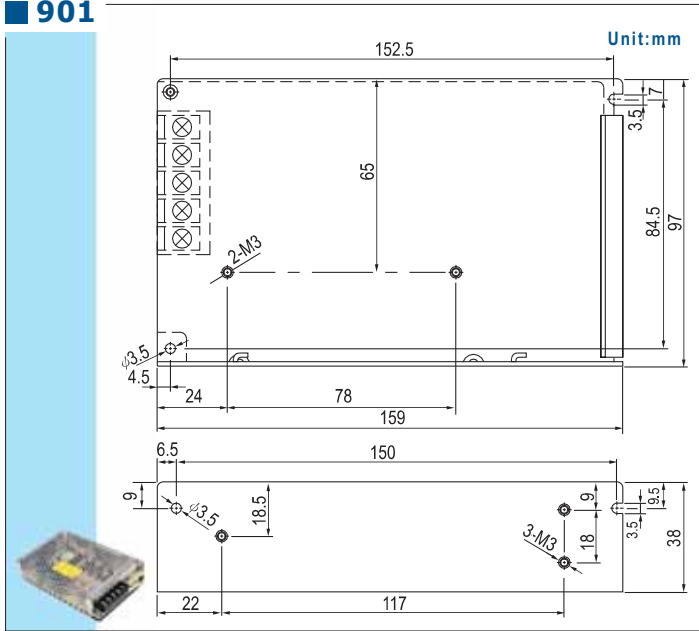
#### TN series 1500~3000W

- 2 times high surge power for motor related applications
- Advanced digital control by microprocessor
- Selectable UPS & energy saving mode
- AC bypass / Built-in AC and solar charger
- Low THD, fast transfer time
- Optional monitoring software and connection cable

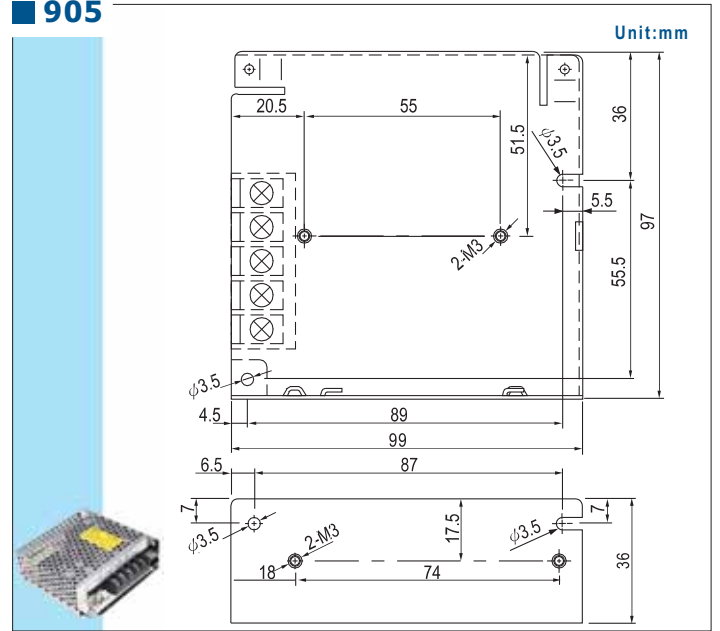


# Case Drawing

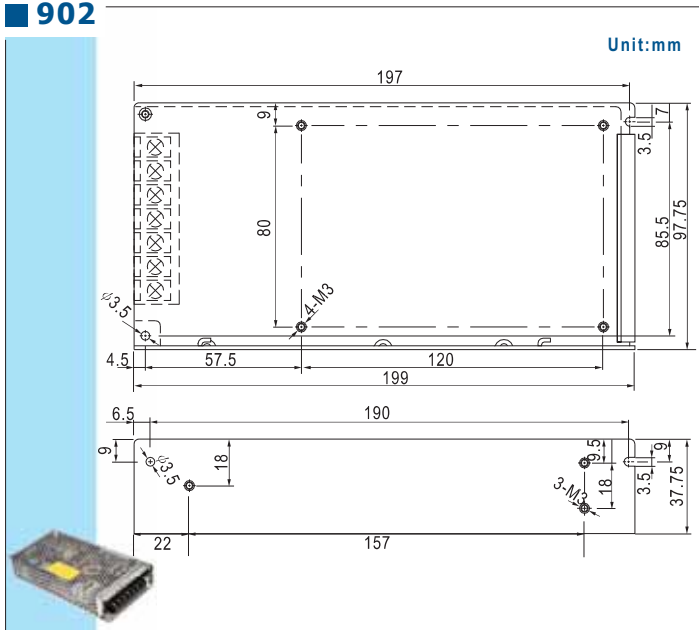
**901**



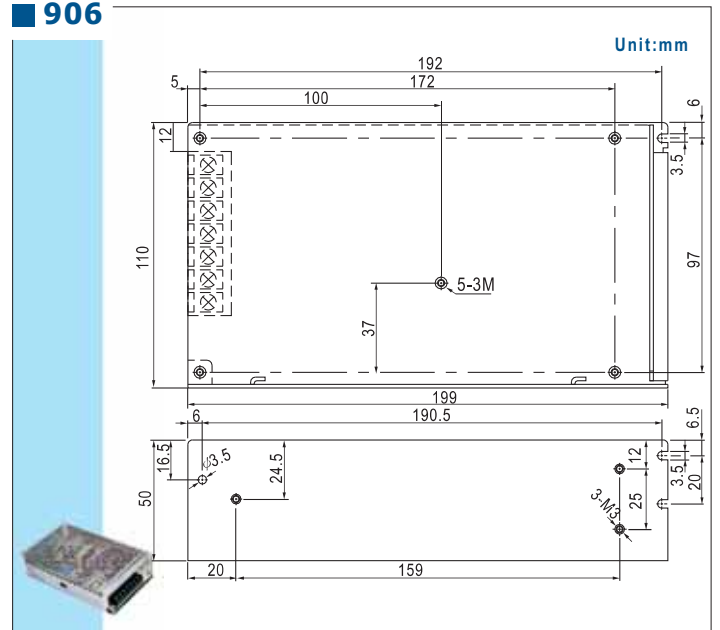
**905**



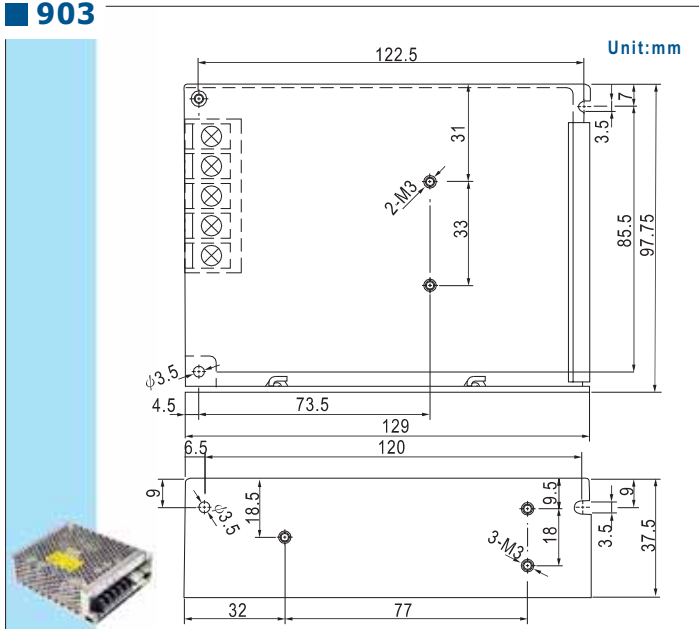
**902**



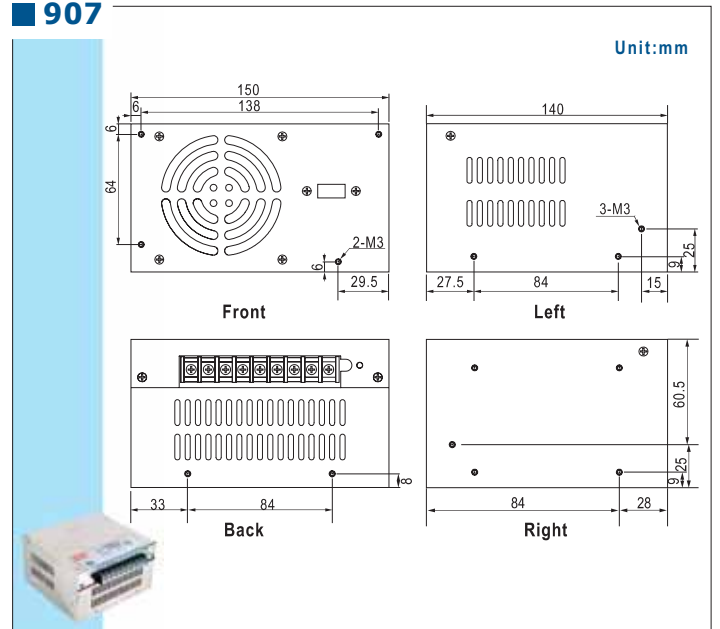
**906**



**903**

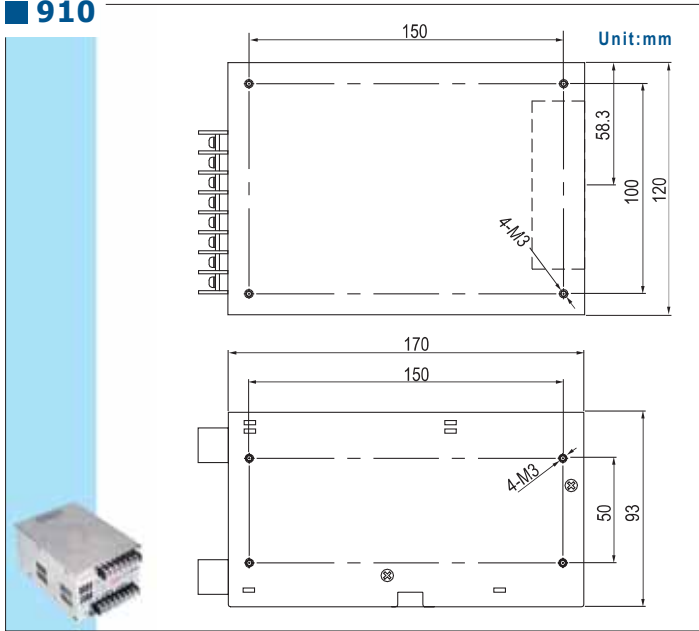


**907**

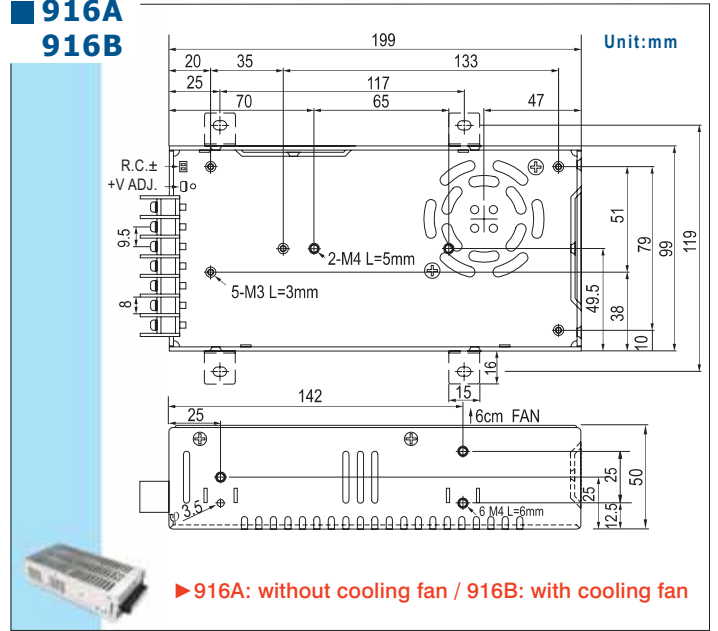


# Case Drawing

## 910

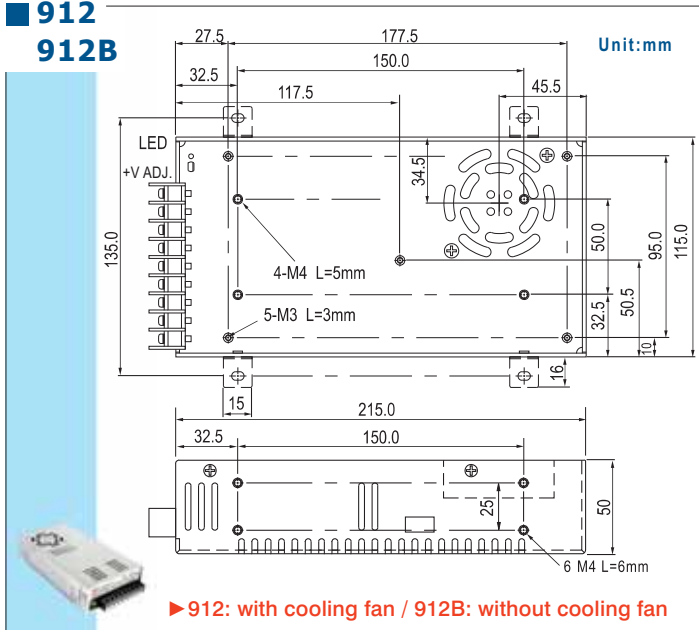


## 916A 916B



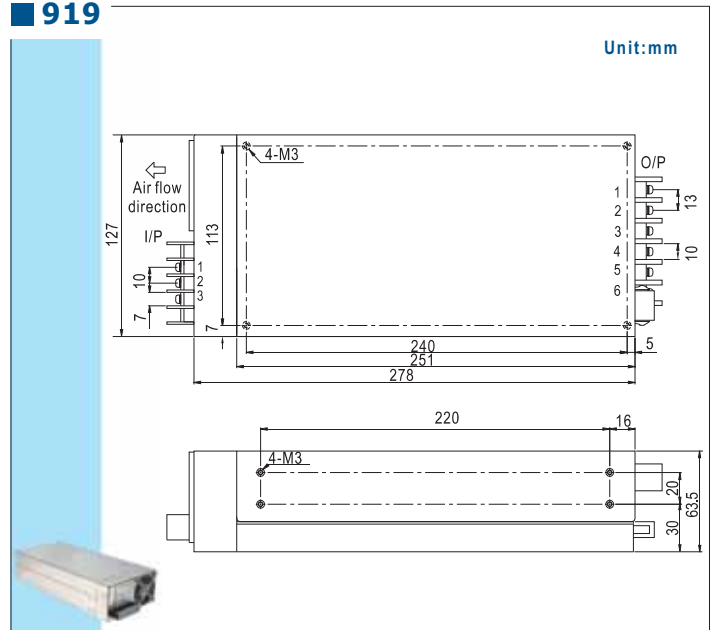
► 916A: without cooling fan / 916B: with cooling fan

## 912 912B

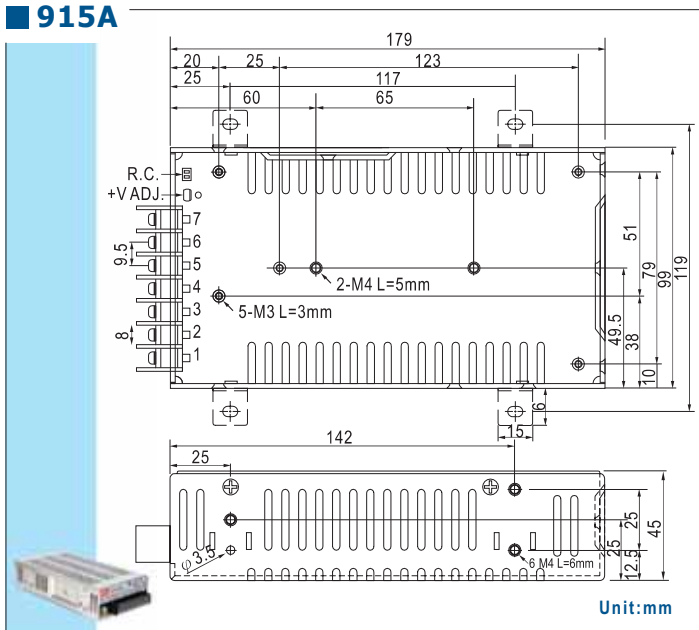


► 912: with cooling fan / 912B: without cooling fan

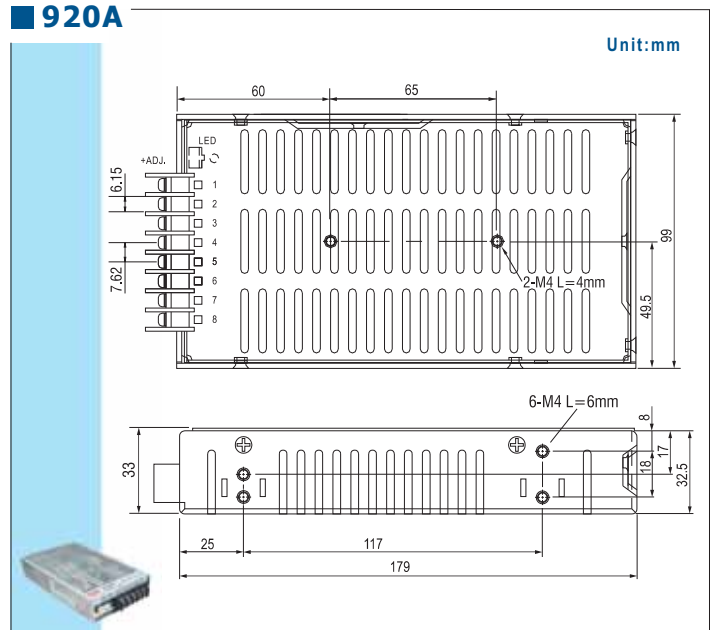
## 919



## 915A



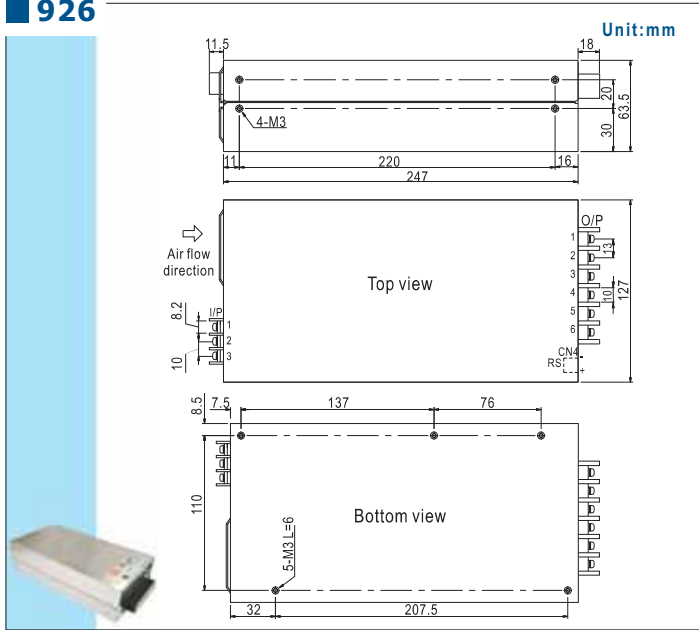
## 920A



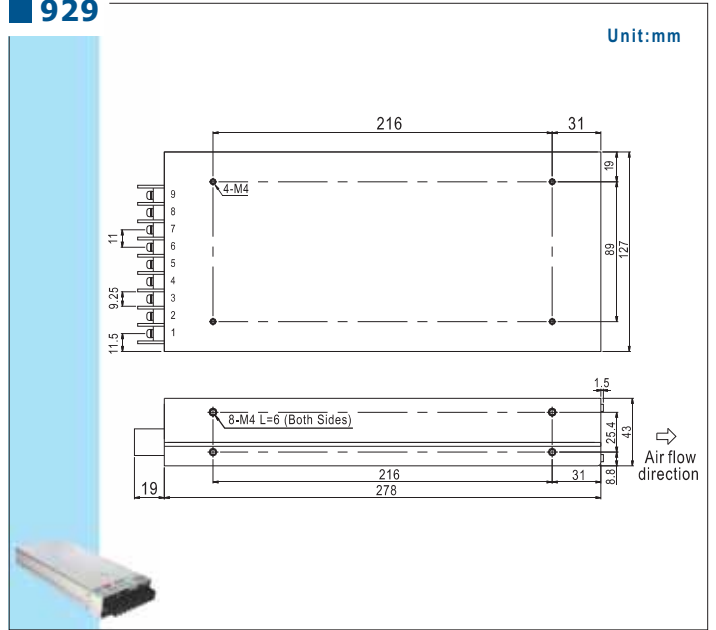


# Case Drawing

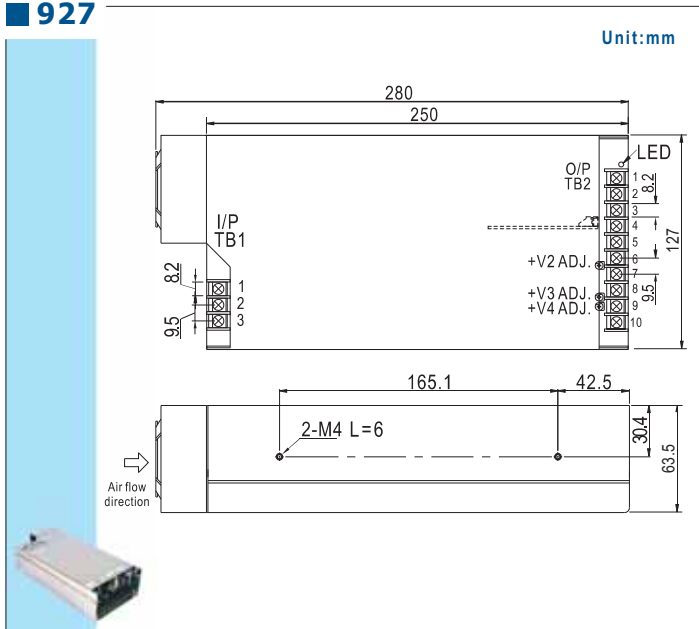
■ 926



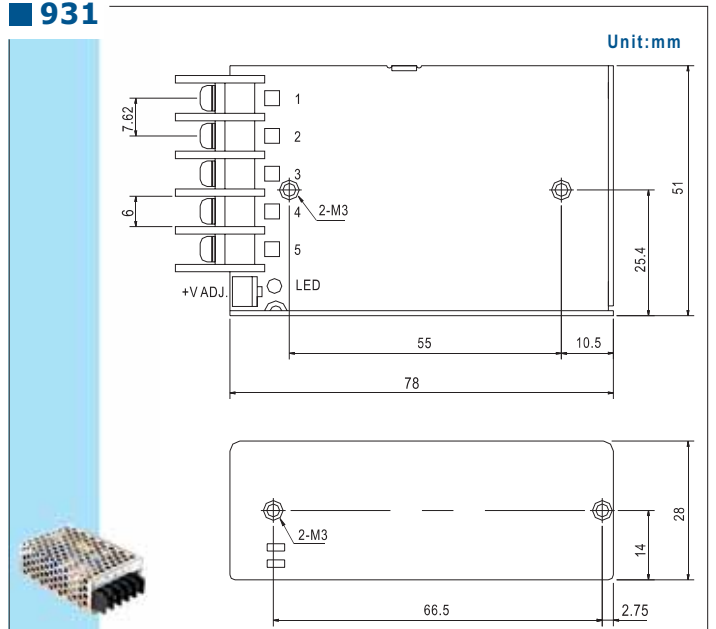
■ 929



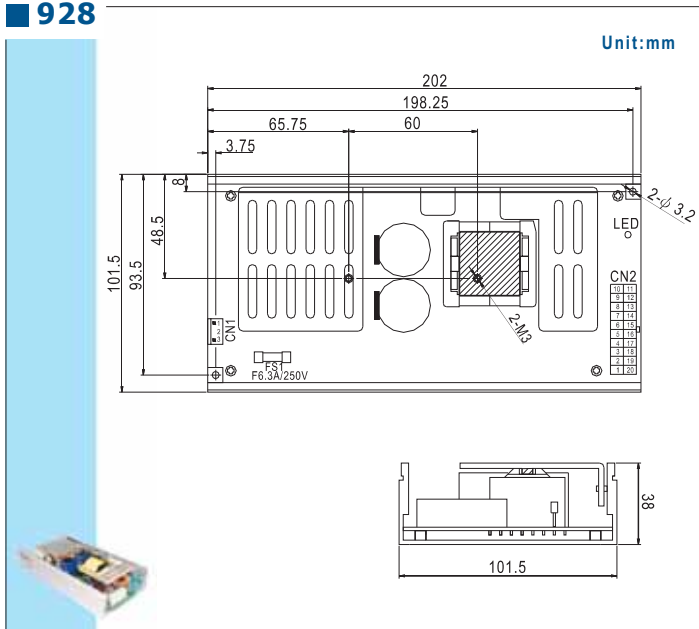
■ 927



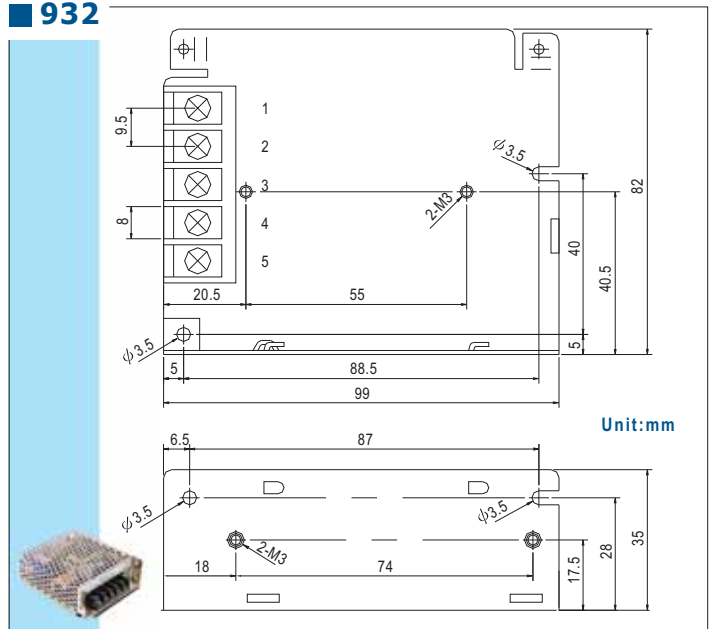
■ 931



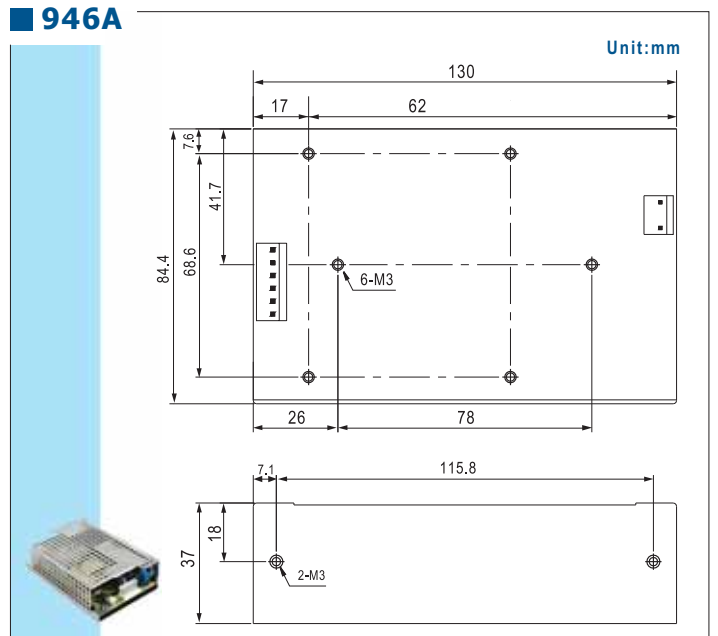
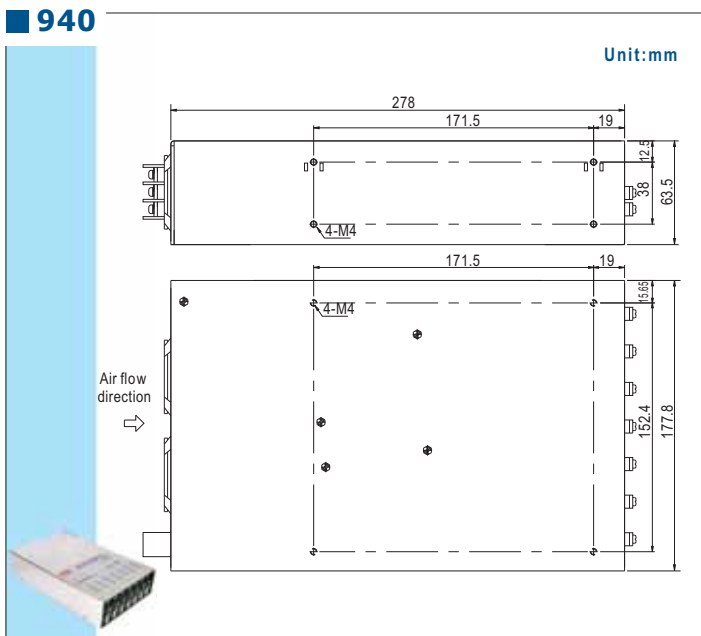
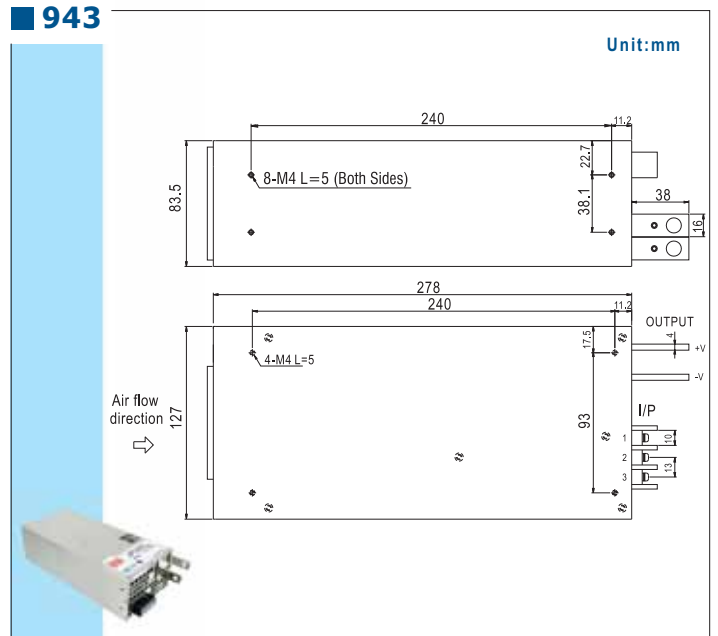
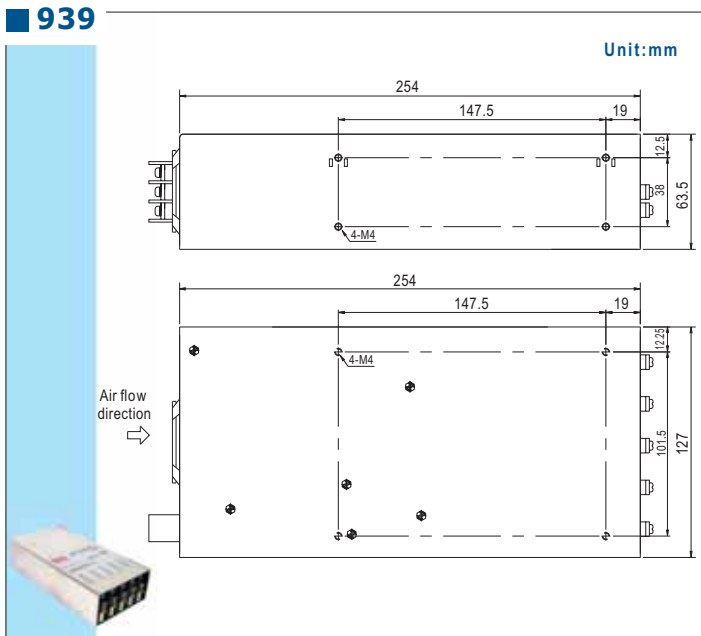
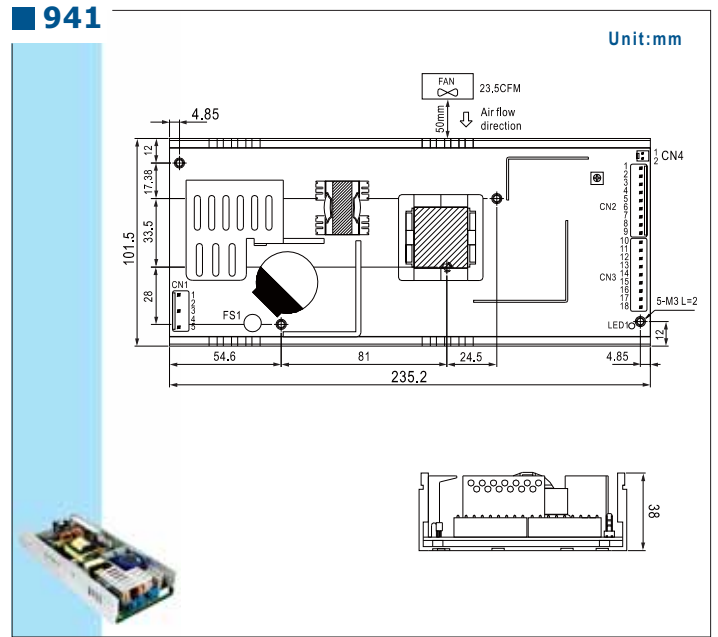
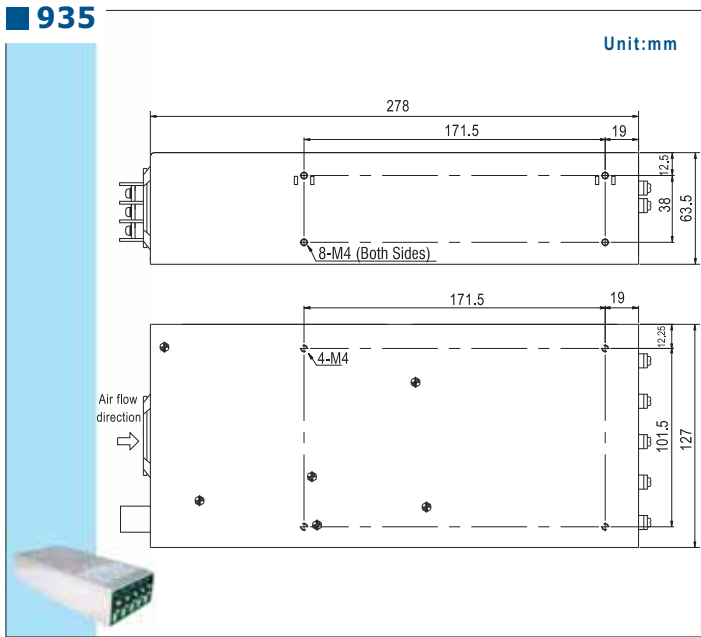
■ 928



■ 932

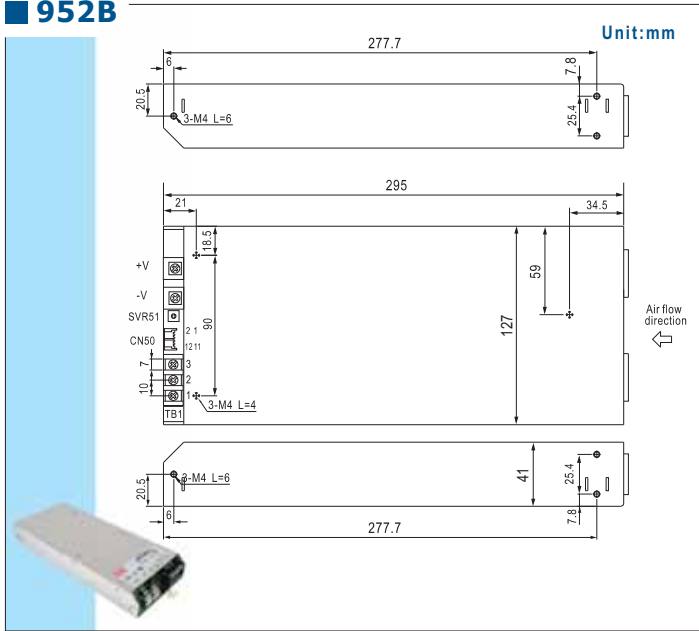


# Case Drawing

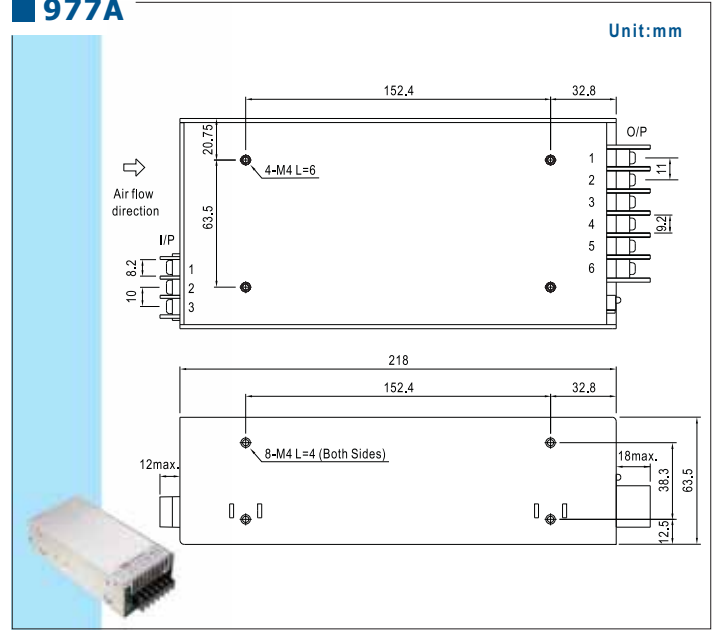


# Case Drawing

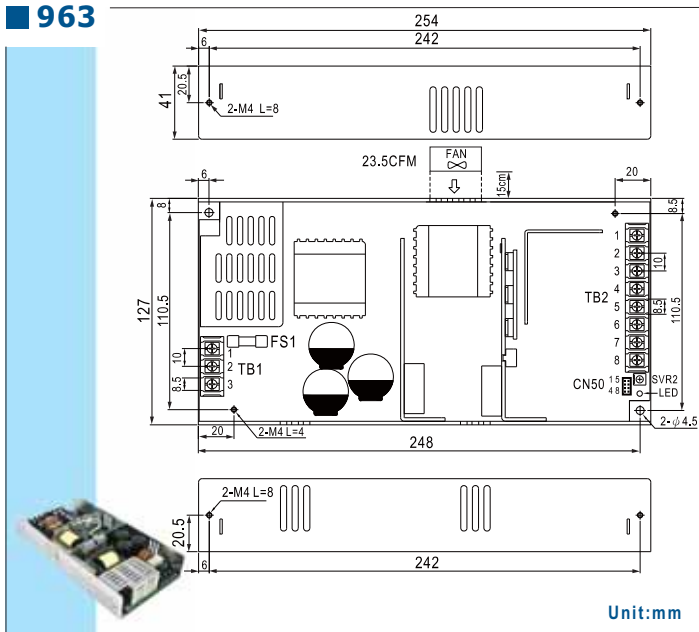
## 952B



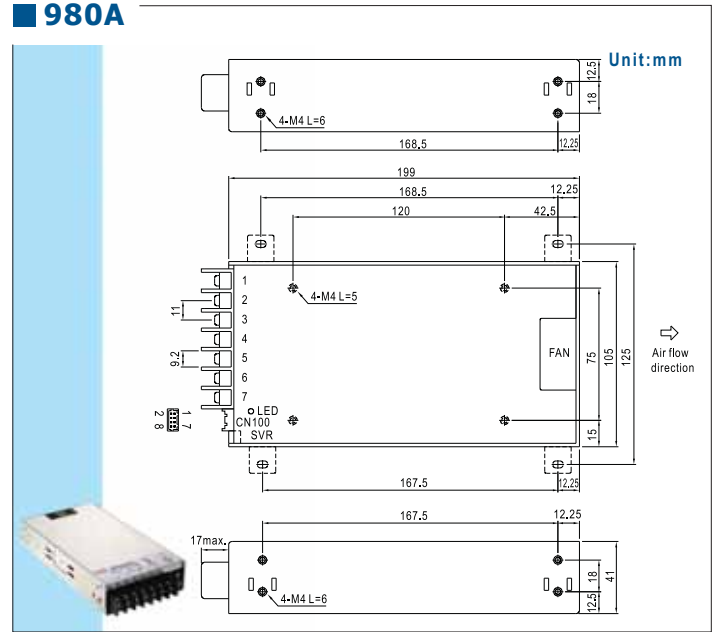
## 977A



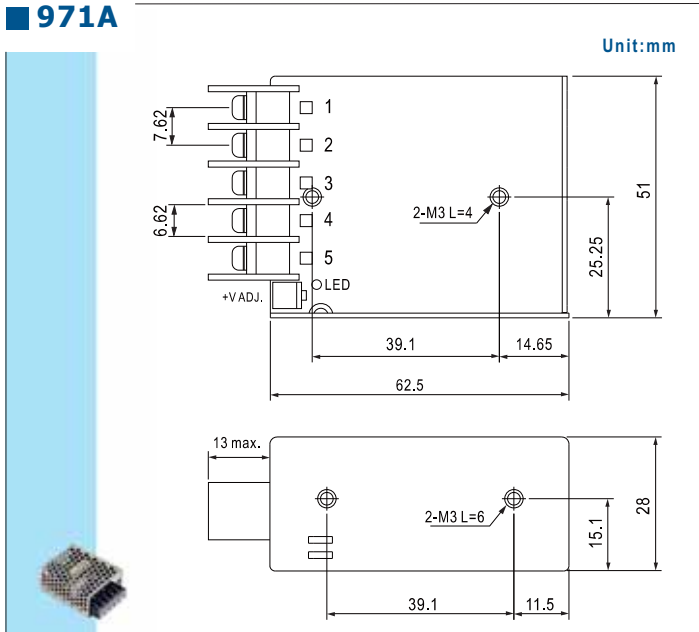
## 963



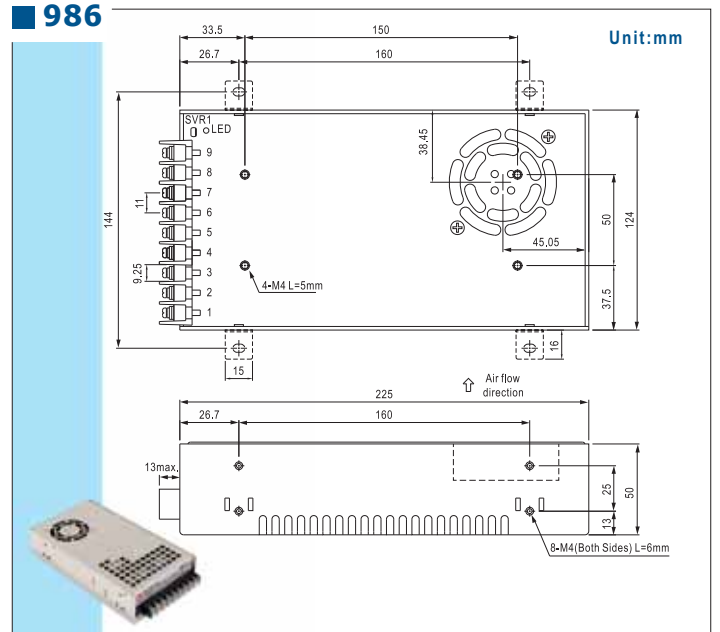
## 980A



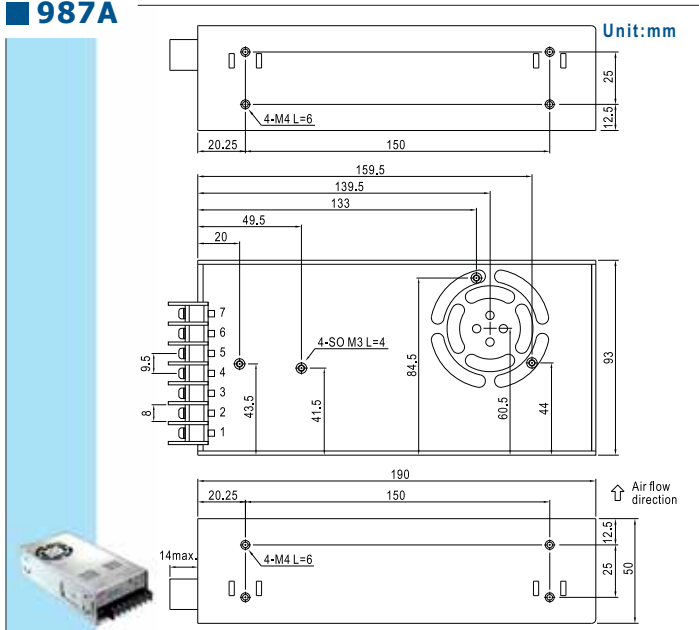
## 971A



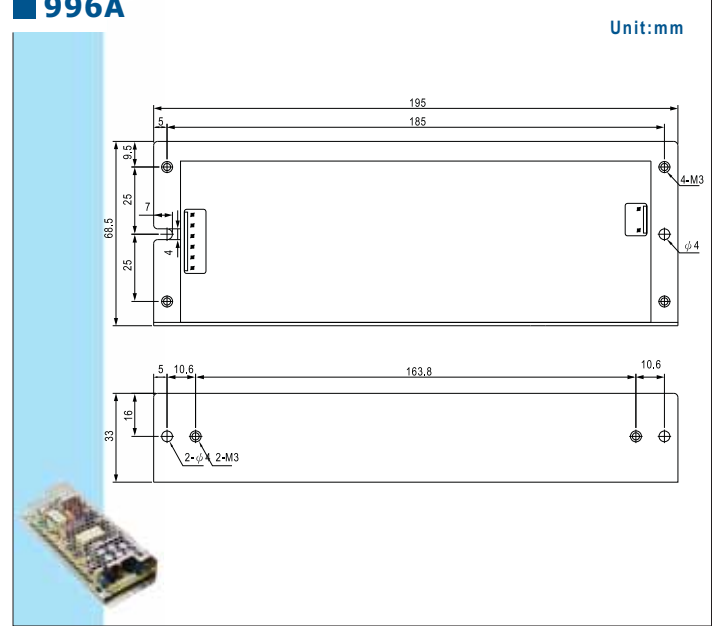
## 986



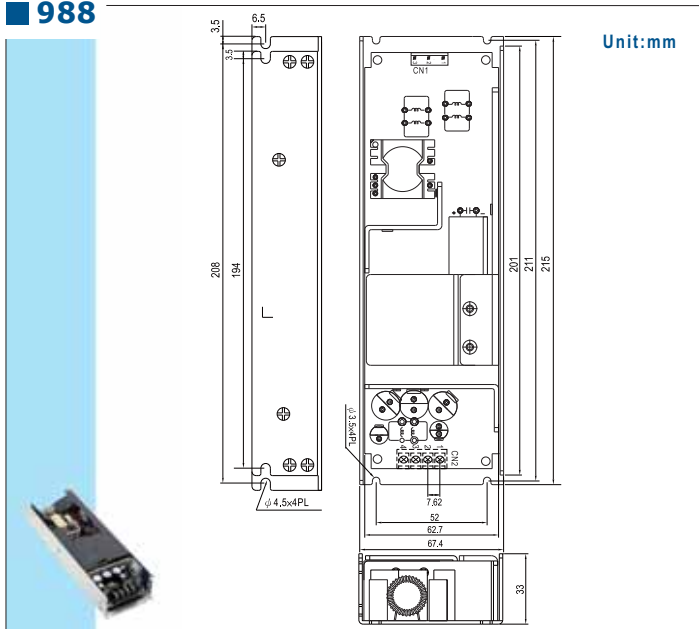
## 987A



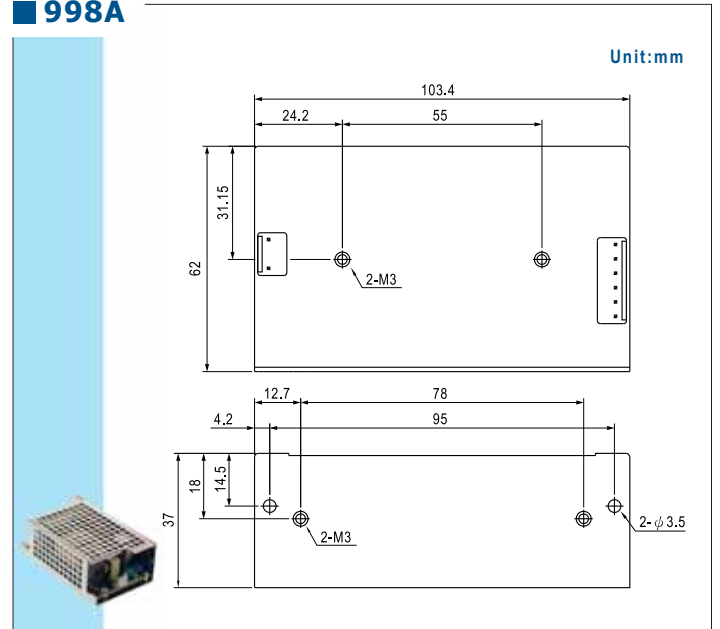
## 996A



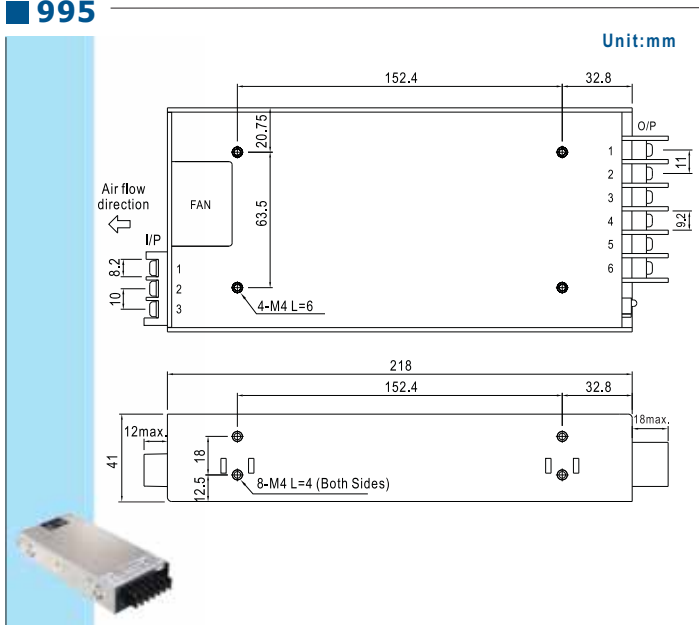
## 988



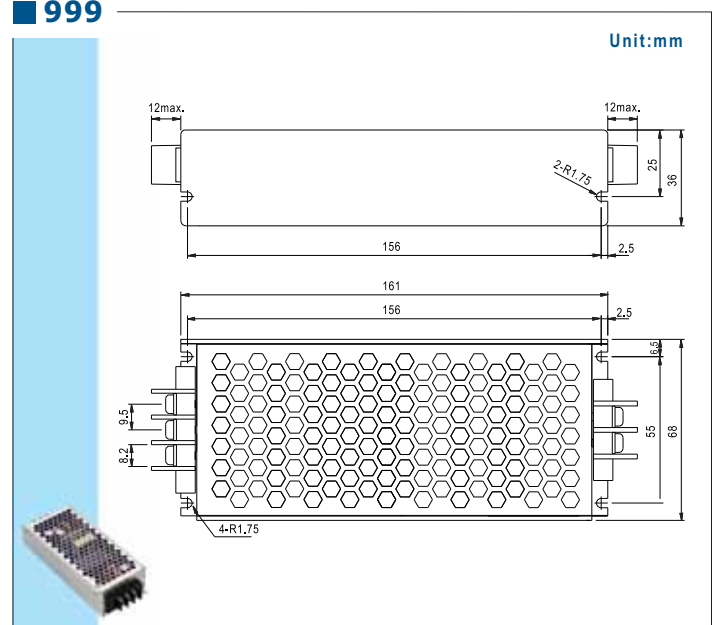
## 998A



## 995



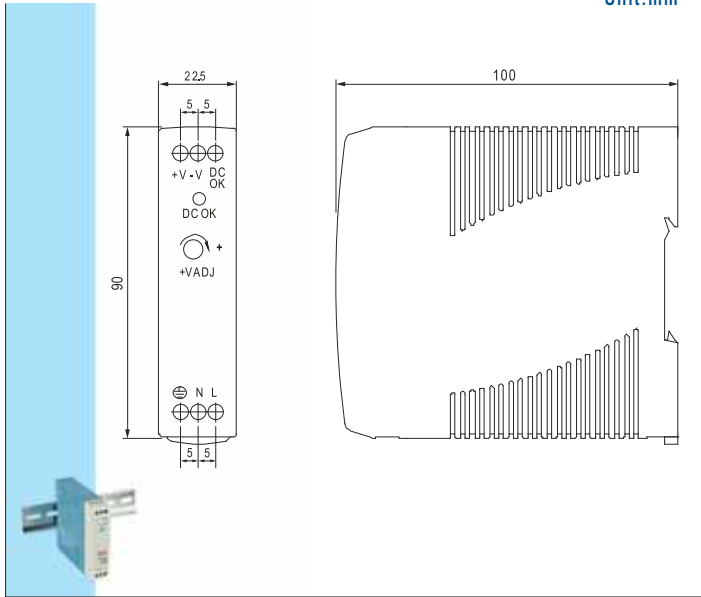
## 999



# Case Drawing

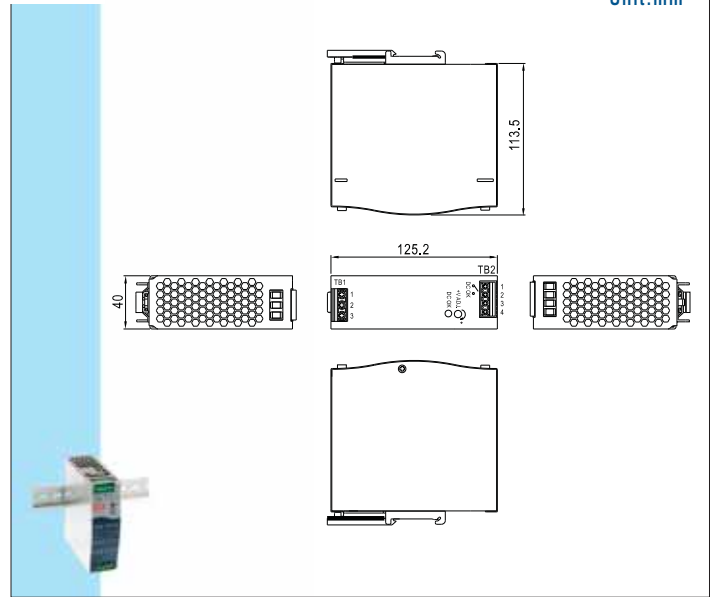
■ 956 (MDR-10/20)

Unit:mm



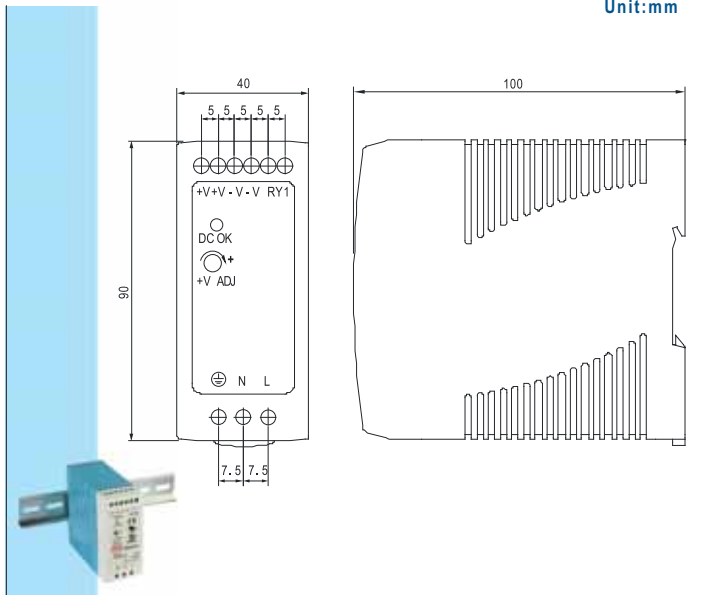
■ 992A (SDR-120)

Unit:mm



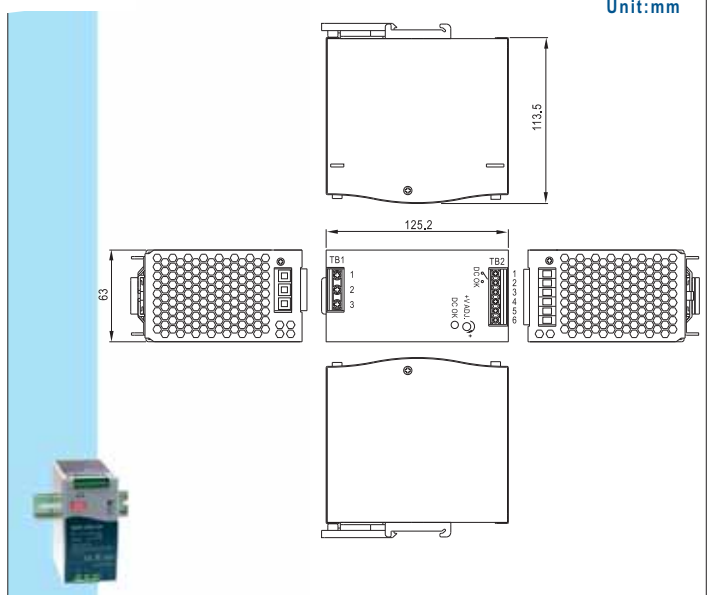
■ 962A (MDR-40/60)

Unit:mm



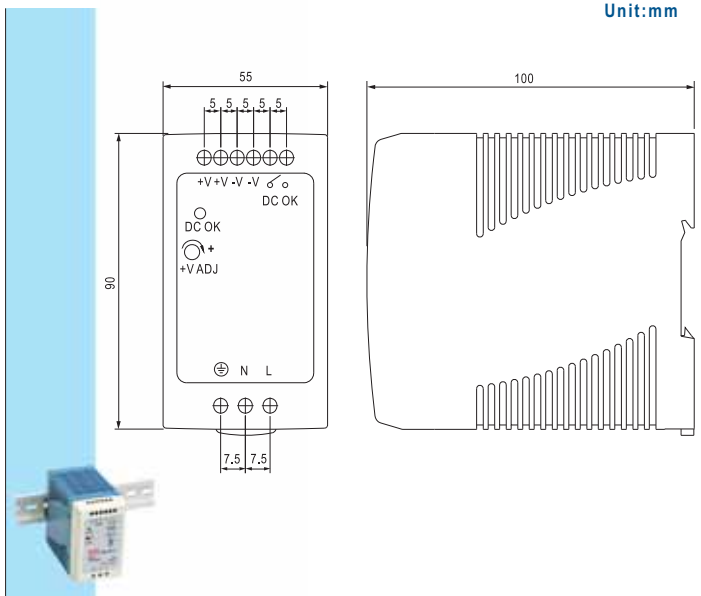
■ 979A (SDR-240)

Unit:mm



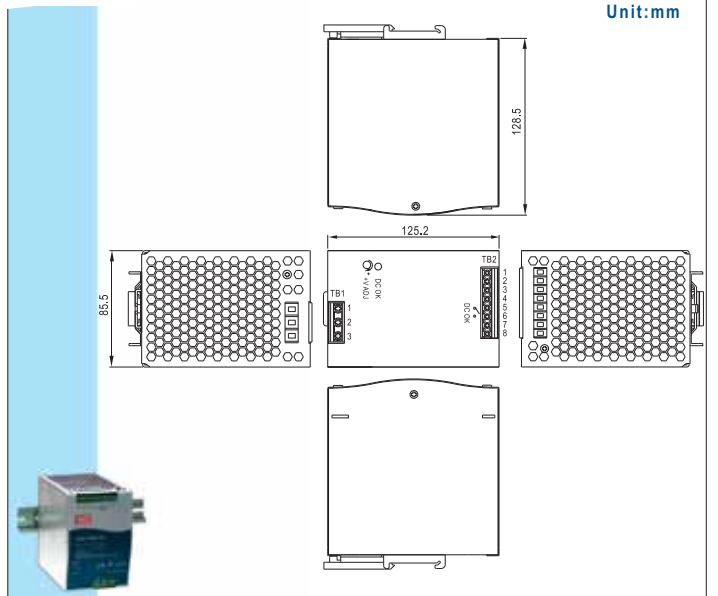
■ 973A (MDR-100)

Unit:mm

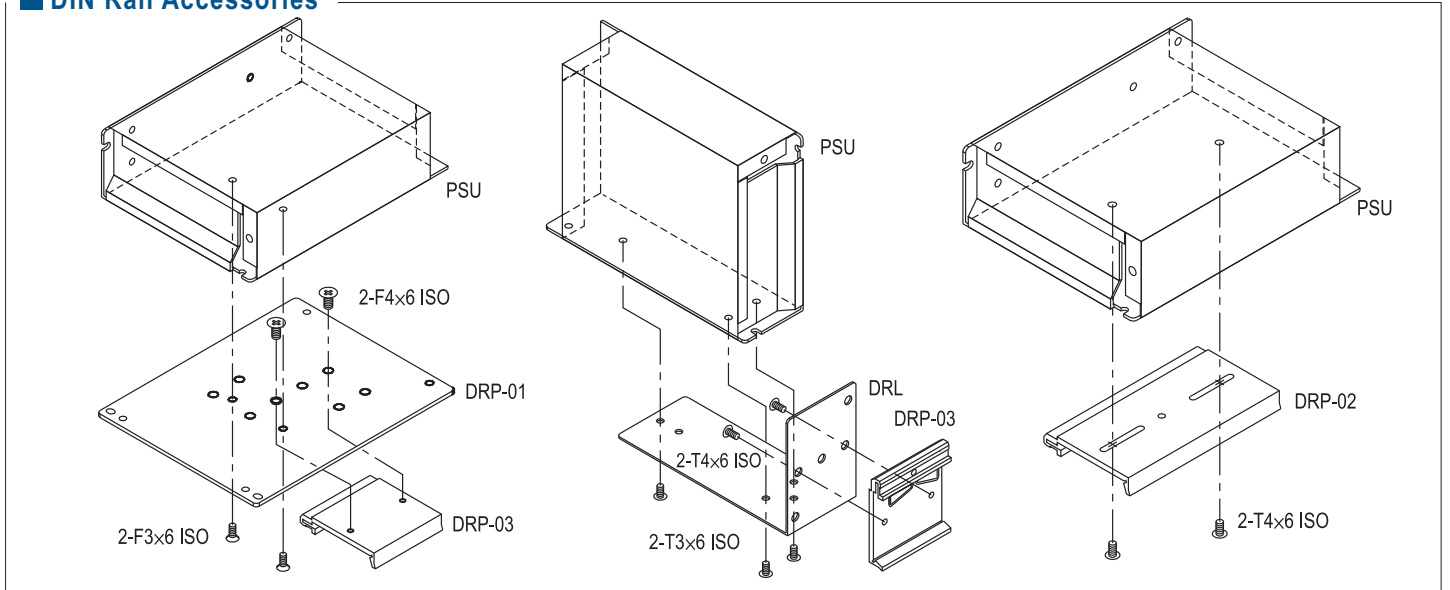


■ 984A (SDR-480)

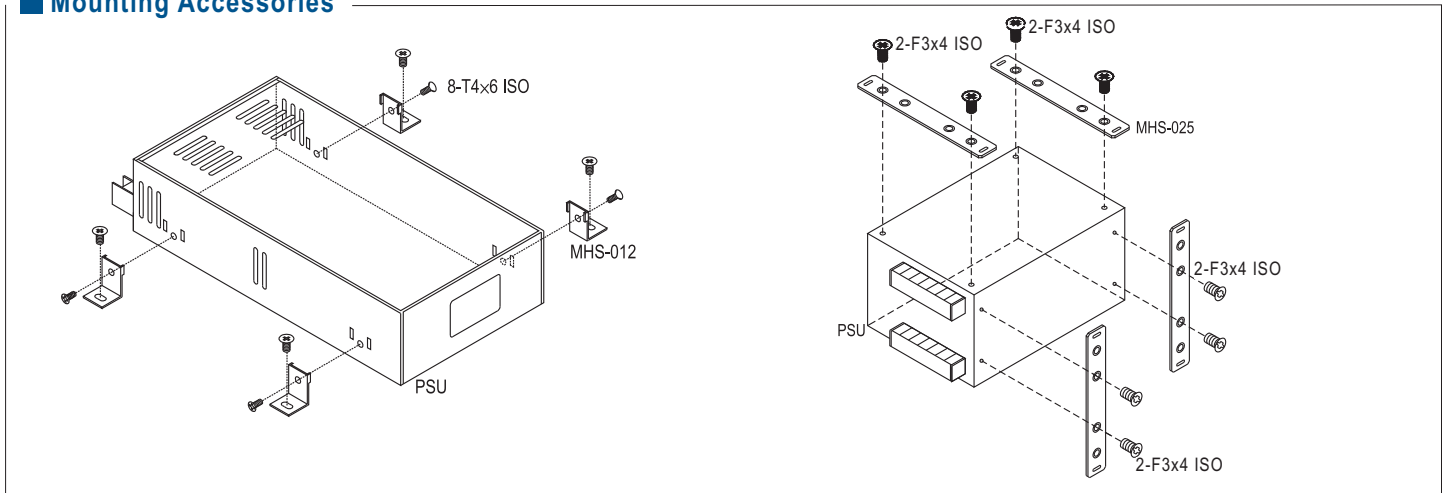
Unit:mm



## DIN Rail Accessories



## Mounting Accessories



ITEM	Order No.	Case	Model
	DRL-01	903 905 931 932 971	S-40, D-30, T-30, ..... S-15, S-25, ..... RS-25, NES-15 RS-35, NES-25 RS-15
	DRL-02	901 902 906 915 916 920	S-50, S-60, D-60, ..... S-100, S-100F, SD-100, ..... S-150, SD-150, D-120, ..... SP-100, ..... SP-150, SP-200, ..... SP-75, .....
	DRL-03	911 912	S-240, ..... S-320, SP-320, .....
	DRL-03A	980 987	SP-240, HRP(G)-300
	DRP-01	901, 902 903, 906 931, 932	All models
	DRP-02	905 / 915 916 / 920 928	S-15, S-25, ... / SP-100, ... SP-150, SP-200, ... / SP-75, ... USP-225, .....
	DRP-03	DRP-01 DRL-01~03	All models

ITEM	Order No.	Case	Model
	MHS012	912, 915 916, 935 939, 940 977, 980 982B 986, 987	S-201, S-320, S-350, SP-100, SP-150, SP-200, SP-320, SE-450/1000, MP450/650/1000, SP-240, HRP-300/600, RSP-2400/3000
	MHS013	919 926	PSP-500, SP-750, SE-600
	MHS014	952	RSP-1000, SD-1000
	MHS025	910	SP-500, PSP-600.....
	MHS026	943	RSP-1500
	MHS027	971A 931	RS-15 RS-25
	TBC-05	901 903 905 932	SD-50, S-60 S-40, NES-50, RS-75 S-25, SD-25, NES-35, RS-50 NES-25, RS-35
	TBC-07	901 902 902A 903 905 906	D/ID-60, NED/T-75, RD-85, NES-100, RS-100, T-60 S-100F, RD-125, NES-150, RS-150, SD-100 HRP-200 NED/T-50, RD/RID-65, T-40 NED/T-35, RD-50 S-150, SC-150, SD-150
	TBC-08	901 906	AD-155, ADD/ADS-155 D/T/Q-120

## Quotation

- Most of our standard products are available and in stock through our global authorized distributors. Please contact your local distributor for prompt service. Please let us know if you are unable to find Mean Well's distributor information in your local area.
- Written quotations are valid for 60 days from the date quoted unless otherwise specified. Customers are responsible for all banking related charges outside of Taiwan.

## Order

- Orders must be placed to Mean Well by mail, e-mail, or fax. Please do not place your order by phone. For international business, Mean Well will provide order confirmations with scheduled delivery dates. If you fail to receive an order confirmation within 2 working days, please reconfirm your order.
- Minimum order amounts per shipment are determined by our local distributor's stock capability. Please contact our sales representative for details.
- We encourage customers to place long-term orders. However, order cancellations or reschedules must be made 45 days prior to the scheduled shipping date.

## Delivery

- For our standard products, Mean Well usually keeps around 2-8 weeks safety stock (based on the past 3 months sales record) for prompt delivery of small / medium quantity orders. For large quantity or new product orders, 3-5 weeks lead-time is needed.

## Return

- All returned goods must have a RMA (return material authorization) number marked on each carton. Contact Mean Well for a RMA number. All goods must be shipped as "freight prepaid" unless confirmed by our sales representatives.

## Warranty

- Products found to be defective within 30 days from the date of receipt can be returned for credit or exchange. After the initial 30 days, Mean Well will repair the goods according to our warranty period. Contact Mean Well for further information on credit or a RMA number. Goods should be shipped as "freight prepaid" to Mean Well and Mean Well will repair and return the defective units (freight prepaid) within 7 working days. If the warranty period has expired, a repair charge (20% of original purchase price or min. USD 5.00/pc) will be charged.
- If customers do the repair by themselves, Mean Well can provide reasonable quantity of free components for repair purpose.

## Attention

- We make every effort to ensure the accuracy of information in the catalog. If there is any discrepancy between the data presented in our catalog and the SPEC, the SPEC sheets should take precedence (please refer to [www.meanwell.com](http://www.meanwell.com) for the latest SPEC information). We cannot take any responsibility of any consequence arising due to error or change in specification. We suggest customers conduct a sample test for evaluation and approval before placing a formal order.
- For continuing product improvement, Mean Well reserves the right to revise any information in this catalog without further notification.

## The EMC directive applies to component power supplies

- Mean Well ensures that all of the power supplies with CE declaration are designed to meet EMC directives and are verified by an independent certified lab agent with a test report prepared. However, there are 2 categories for power supplies: One is a stand-alone power supply, such as laboratory power supplies which can be tested under EMC individually. The other category is a component power supply such as an enclosed power supply and open PCB power supply. These power supplies are considered a component which will be installed into a final equipment. Since EMC performance is affected by the final installation of a product, Mean Well cannot guarantee that the final equipment will meet EMC directives. Final product manufacturers must re-confirm that their product meets EMC directives.

## RoHS Announcement

- To minimize the environmental impact and take more responsibility to the earth we live, MEAN WELL applies manufacturing that complies with Directive 2002/95/EC of the European Parliament - RoHS (Restriction of Hazardous Substances) since Sep. 2005. Please refer to the declaration on our web site for more detail information.

## **Taiwan**

明緯企業股份有限公司

**MEAN WELL ENTERPRISES CO., LTD.**

新北市五股區五權三路28號

No.28, Wuquan 3rd Road, Wugu District,  
New Taipei City, Taiwan, 24891

統一編號：34491075

Tel : +886-2-2299-6100(rep.)

Fax: +886-2-2299-6200(rep.)

+886-2-2298-0818(sales)

E-mail: info@meanwell.com

http://www.meanwell.com

## **China**

明緯(廣州)電子有限公司

**MEAN WELL (GUANGZHOU) ELECTRONICS CO., LTD.**

廣州市天河區東圃鎮黃村大道粵安工業園A棟2樓

2nd Floor, No.A Building, Yuean Ind. Park,  
Dongpu Town, Tianhe District, Guangzhou, China

Post Code: 510660

Tel : +86-20-2887-1200

Fax: +86-20-8201-0507

E-mail: info@meanwell.com.cn

http://www.meanwell.com.cn

蘇州明緯科技有限公司

**SUZHOU MEAN WELL TECHNOLOGY CO., LTD.**

江蘇省蘇州市相城區黃埭鎮潘陽工業園東橋健民路77號

No.77, Jian-Ming Rd. Dong-Qiao,

Pan-Yang Ind. Park, Huang-Dai Town,

Xiang-Cheng District, Suzhou, Jiang-Su, China

Post Code: 215152

Tel : +86-512-6508-8600

Fax: +86-512-6508-8700

E-mail: info@meanwell.cc

http://www.meanwell.cc

## **U.S.A.**

**MEAN WELL USA, INC.**

44030 Fremont Blvd., Fremont,

CA 94538, U.S.A.

Tel : +1-510-683-8886

Fax: +1-510-683-8899

E-mail: info@meanwellusa.com

http://www.meanwellusa.com

## **Europe**

**MEAN WELL EUROPE B.V.**

Spinnerij 73-75, 1185 ZS Amstelveen,  
the Netherlands

Tel : +31-20-345-3795

Fax: +31-20-640-3547

E-mail: info@meanwell.eu

http://www.meanwell.eu



**Please Contact Your Local Distributor**

**www.meanwell.com**