



Your Reliable Power Partner



LED Power Supply LED Driver

2011
April

About MEAN WELL Group

Established in 1982 and located in Taipei, Taiwan, MEAN WELL is a leading standard switching power supply manufacturer with broad product lines covering AC/DC power supply, DC/DC converter, DC/AC inverter, and battery charger. We have advanced manufacturing facilities in Taipei Taiwan, GuangZhou China, and SuZhou China and sales offices in China, USA, and Europe.

To comply with the global trend of energy saving, MEAN WELL continuously introduced various LED power supply products which are looking for higher in efficiency, lower in power dissipation, and in compliance with the latest lighting regulations all over the world. MEAN WELL LED power supplies have been widely used for street lighting, architectural lighting, decorative lighting, indoor lighting, stage and theater lighting, embedded lighting, and LED sign board. The robust design with high protection level against dust and moisture makes them suitable for all kinds of indoor or outdoor installation of LED related applications.



Index

- 1-2 **LP series** 18~100W
 - Economical with Slim Plastic Case
 - IP67
- 3 **AP series** 12~16W
 - Low Cost with Rectangular Plastic Case
- 4 **ELN series** 30~60W
 - Dimming Option
 - Plastic Case
- 5 **LPF series** 40~90W
 - PFC Function
 - Plastic Case
 - 3 in 1 Dimming Function
 - IP67
- 6 **PLN series** 20~96W
 - PFC Function
 - Plastic Case
 - IP64
- 7 **HLN series** 40~80W
 - PFC Function
 - Plastic Case
 - IP64
 - 3 in 1 Dimming Function
- 8 **PLC series** 30~96W
 - PFC Function
 - Plastic Case
 - Terminal Block I/O
- 9 **PCD/PLD series** 16~25W
 - PFC Function
 - Plastic Case
 - AC Phase-cut Dimming (PCD)
- 10 **PLP series** 20~60W
 - PFC Function
 - PCB Type
- 11 **HLP series** 40~80W
 - PFC Function
 - PCB Type
 - 3 in 1 Dimming Function
- 12 **CEN series** 60~96W
 - PFC Function
 - Metal Case
 - IP66
- 13 **CLG series** 60~150W
 - PFC Function
 - Metal Case
 - IP65 & IP67
- 14-16 **HLG series** 40~320W
 - High Efficiency with PFC Function
 - Metal Case
 - 3 in 1 Dimming Function
 - 5 Years Warranty
- 17 **HVG series** 100W
 - PFC Function
 - Metal Case
 - IP67
 - Wide Input Range 200~480VAC
- ULP series** 150W
 - U-bracket type
 - PFC Function
 - Built-in lighting fixture
- 18 **LDV series** 185W Multiple Channel
 - PFC Function
 - Metal Case
 - IP67
 - Multiple Channel Output
- LDD series** Single Channel DC/DC Driver
 - Plastic Case
 - Constant Current Output
- 19 **How to Choose A Suitable LED Power Supply?**
- 20 **Quick Selection Map**
- 21 **Comparison Chart**

LP series

18~100W Single Output Class 2 Power Unit

Features

- Universal AC input / Full range (LPV)
- 180~264VAC input only (LPH-18)
- 90~132VAC input only (LPL-18)
- Fully encapsulated with IP67 level
- Protections: Short circuit / Overload / Over voltage / Over temperature (LPH-18/LPL-18 only)
- **Constant voltage design (C.V. mode)**
- UL1310 Class 2 power unit (except for LPV-100)
- Isolation class II, no F.G.
- Withstand 300VAC surge input for 5 seconds (except for LPH/LPL-18)
- Cooling by free air convection
- Pass LPS (except for LPV-100)
- 100% full load burn-in test
- Low cost, high reliability
- Suitable for LED-based decorative/architectural lighting, LED stage and theater lighting, and LED electronic displays
- 2 years warranty



AC input voltage range	90~132VAC	180~264VAC	90~264VAC		
AC inrush current (max.)	Cold start, 40A at 115VAC	Cold start, 50A at 230VAC	Cold start, 70A at 230VAC	Cold start, 60A at 230VAC	Cold start, 75A at 230VAC
Overload Protection	Range	>105%		110%~150%	
	Type	Hiccup mode, auto-recovery			
Over voltage protection	115%~135% rated output voltage				
Withstand voltage	I/P-O/P: 3kVAC				
Working temperature	-30~+70°C		-30~+75°C	-30~+70°C	-25~+70°C
Vibration	10~500Hz, 2G 10 minutes /1 cycle, period for 60 minutes each along X, Y, Z axes				
Safety standards	TUV EN60950-1 approved (LPH-18); Design refer to UL1310 class 2, CAN/CSA-C22.2 No. 223-M91, EN61347-2-13		UL1310 class 2 (except for LPV-60-5 & LPV-100), CAN/CSA-C22.2 No. 223-M91 (except for LPV-60-5, LPV-60-48 & LPV-100), UL879 (LPV-20/60) approved; Design refer to EN60950-1, EN61347-2-13		
EMC standards	FCC part 15 class B	EN55022 class B, EN61000-3-2 class A, EN61000-3-3, EN61000-4-2,3,4,5,6,8,11, ENV50204			
Connection	Input	UL rated, 18AWGx2C (30cm)		UL rated, 18AWGx2C (60cm)	18AWGx2C (30cm)
	Output			UL rated, 16AWGx2C (60cm)	UL rated, 14AWGx2C (30cm)
Dimension (LxWxH)(mm)	140x 30x 22		118x 35x 26	148x 40x 30	162.5x 42.5x 32

LPL-18 Series (C.V. mode)



Model No.	Output	Tol.	R&N	Effi.
LPL-18-12	12V, 0~1.5A	±3%	120mV	80%
LPL-18-24	24V, 0~0.75A	±3%	150mV	83%
LPL-18-36	36V, 0~0.5A	±3%	200mV	84%

LPV-35 Series (C.V. mode)



Model No.	Output	Tol.	R&N	Effi.
LPV-35-5	5V, 0~5.0A (peak 6A)	±6%	80mV	77%
LPV-35-12	12V, 0~3.0A	±5%	120mV	84%
LPV-35-15	15V, 0~2.4A	±5%	120mV	84%
LPV-35-24	24V, 0~1.5A	±5%	150mV	85%
LPV-35-36	36V, 0~1.0A	±5%	150mV	85%

LPH-18 Series (C.V. mode)



Model No.	Output	Tol.	R&N	Effi.
LPH-18-12	12V, 0~1.5A	±3%	120mV	78%
LPH-18-24	24V, 0~0.75A	±3%	150mV	82%
LPH-18-36	36V, 0~0.5A	±3%	200mV	83%

LPV-60 Series (C.V. mode)



Model No.	Output	Tol.	R&N	Effi.
LPV-60-5	5V, 0~8.0A	±8%	80mV	76%
LPV-60-12	12V, 0~5.0A	±5%	120mV	83%
LPV-60-15	15V, 0~4.0A	±5%	120mV	83%
LPV-60-24	24V, 0~2.5A	±5%	150mV	86%
LPV-60-36	36V, 0~1.67A	±5%	150mV	86%
LPV-60-48	48V, 0~1.25A	±5%	150mV	86%

LPV-20 Series (C.V. mode)



Model No.	Output	Tol.	R&N	Effi.
LPV-20-5	5V, 0~3.0A	±5%	80mV	77%
LPV-20-12	12V, 0~1.67A	±5%	120mV	81%
LPV-20-15	15V, 0~1.33A	±5%	120mV	83%
LPV-20-24	24V, 0~0.84A	±5%	150mV	83%

LPV-100 Series (C.V. mode)



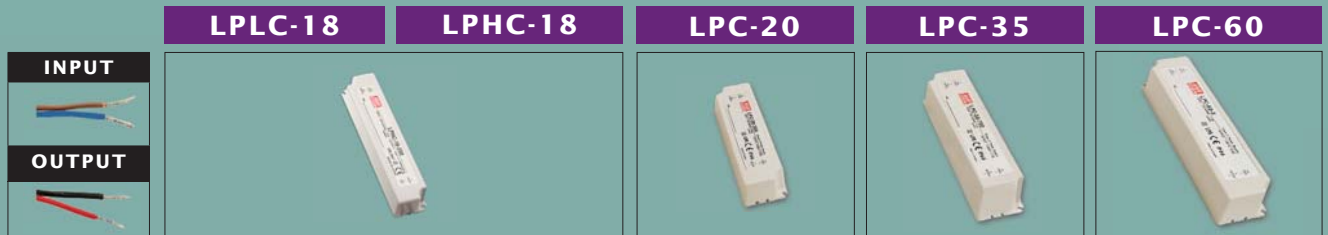
Model No.	Output	Tol.	R&N	Effi.
LPV-100-5	5V, 0~12.0A	±8%	80mV	80%
LPV-100-12	12V, 0~8.5A	±5%	120mV	85%
LPV-100-15	15V, 0~6.7A	±5%	120mV	87%
LPV-100-24	24V, 0~4.2A	±5%	150mV	88%
LPV-100-36	36V, 0~2.8A	±5%	150mV	88%
LPV-100-48	48V, 0~2.1A	±5%	150mV	89%

LP series

18~60W Single Output Class 2 Power Unit

► Features

- Universal AC input / Full range (LPC)
- 180~264VAC input only (LPHC-18)
- 90~132VAC input only (LPLC-18)
- Fully encapsulated with IP67 level
- Protections: Short circuit / Overload / Over voltage / Over temperature (LPLC/LPHC-18 only)
- **Constant current design (C.C. mode)**
- Withstand 300VAC surge input for 5 seconds (except for LPHC/LPLC-18)
- Isolation class II, no F.G.
- Cooling by free air convection
- UL1310 Class 2 Power Unit
- Pass LPS
- 100% full load burn-in test
- Low cost, high reliability
- Suitable for LED-based decorative / architectural lighting, LED stage and theater lighting, and LED electronic displays
- 2 years warranty



AC input voltage range	90~132VAC	180~264VAC	90~264VAC	
AC inrush current (max.)	Cold start, 40A at 115VAC	Cold start, 50A at 230VAC	Cold start, 70A at 230VAC	Cold start, 60A at 230VAC
Overload Protection	Range	±5% rated output current		
	Type	Constant current limiting, auto-recovery		
Over voltage protection	105%~135%	115%~135% rated output voltage		
Withstand voltage	I/P-O/P: 3kVAC			
Working temperature	-30~+70°C		-30~+75°C	-30~+70°C
Vibration	10~500Hz, 2G 10 minutes /1 cycle, period for 60 minutes each along X, Y, Z axes			
Safety standards	Design refer to UL1310 class 2, EN60950-1, CAN/CSA-C22.2 No.223-M91, EN61347-2-13		UL1310 class 2, CAN/CSA-C22.2 NO. 223-M91(except for LPC-20-350, LPC-35-700, LPC-60-1050/1400), UL879 (LPC-20 only) approved; Design refer to TUV EN60950-1, EN61347-2-13	
EMC standards	FCC part 15 class A(LPLC-18), EN55022 class A, EN61000-3-2 class A, EN61000-3-3, ENV50204, EN61000-4-2,3,4,5,6,8,11		EN55022 class B, EN61000-3-2 class A, EN61000-3-3, EN61000-4-2,3,4,5,6,8,11, ENV50204	
Connection	Input	UL rated, 18AWGx2C (30cm)		UL rated, 18AWGx2C (60cm)
	Output			UL rated, 16AWGx2C (60cm)
Dimension (LxWxH)(mm)	140x 30x 22		118x 35x 26	148x 40x 30
				162.5x 42.5x 32

LPLC-18 Series (C.C. mode)



Model No.	Output	Tol.	R&N	Effi.
LPLC-18-350	6~48V, 350mA	±5%	300mV	82%
LPLC-18-700	6~25V, 700mA	±5%	250mV	80%

LPHC-18 Series (C.C. mode)



Model No.	Output	Tol.	R&N	Effi.
LPHC-18-350	6~48V, 350mA	±5%	300mV	80%
LPHC-18-700	6~25V, 700mA	±5%	250mV	80%

LPC-20 Series (C.C. mode)



Model No.	Output	Tol.	R&N	Effi.
LPC-20-350	9~48V, 350mA	±5%	200mV	83%
LPC-20-700	9~30V, 700mA	±5%	200mV	83%

LPC-35 Series (C.C. mode)



Model No.	Output	Tol.	R&N	Effi.
LPC-35-700	9~48V, 700mA	±5%	200mV	85%
LPC-35-1050	9~30V, 1050mA	±5%	200mV	85%
LPC-35-1400	9~24V, 1400mA	±5%	200mV	85%

LPC-60 Series (C.C. mode)



Model No.	Output	Tol.	R&N	Effi.
LPC-60-1050	9~48V, 1050mA	±5%	200mV	87%
LPC-60-1400	9~42V, 1400mA	±5%	200mV	85%
LPC-60-1750	9~34V, 1750mA	±5%	200mV	87%

► Special Symbols for EN61347-2-13

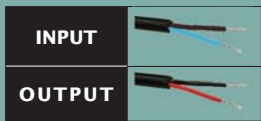
	Protection against overheating to prevent the lamp controlgear case temperature under any conditions of use from exceeding the indicated value (110°C)
	Suitable for direct mounting on normally flammable surfaces, such as wood (>2mm)
	Based on VDE0710-14, can be installed inside a wooden material like wooden cabinet. The minimum distance between the product enclosure to wooden material in each side is defined.
LPS	Limited power source
$t_c: 80^{\circ}\text{C}$ $t_a: 40^{\circ}\text{C}$	Full load operation up to 40°C with surface temperature of case < 80°C
SELV	Vo < 50VDC can have this mark on the unit

AP series

12~16W Single Output Class 2 Power Unit

Features

- Universal AC input / Full range
- Fully isolated plastic case
- Protections: Short circuit / Overload / Over voltage
- Constant voltage design (C.V. mode) for APV series
- Constant current design (C.C. mode) for APC series
- Small and compact size
- Isolation class II, no FG
- Cooling by free air convection
- Pass LPS
- 100% full load burn-in test
- Low cost, high reliability
- Suitable for LED lighting and moving sign applications
- 2 years warranty



AC input voltage range	90~264VAC ; 127~370VDC		
AC inrush current (max.)	Cold start, 70A at 230VAC		
Overload protection	Range	>105% rated output current	±5% rated output current
	Type	Hiccup up mode, auto-recovery	Constant current limiting, auto-recovery
Over voltage protection	115%~140% rated output voltage		110%~135%
Withstand voltage	I/P-O/P: 3kVAC		
Working temperature	-30~+70°C (refer to output derating curve)		
Vibration	10~500Hz, 2G 10min/1 cycle, period for 60 min each along X, Y, Z axes		
Safety standards	Design refer to TUV EN60950-1, EN61347-2-13, UL8750		
EMC standards	EN55015, EN61000-3-2 class A, EN61000-3-3, EN61000-4-2,3,4,5,6,8,11, EN61547		
Connection	Input	UL rated, 18AWGx2C (15cm)	
	Output	UL rated, 20AWGx2C (15cm)	
Dimension (LxWxH)(mm)	77x 40x 29		

APV-12 Series (C.V. mode)

Model No.	Output	Tol.	R&N	Effi.
APV-12-5	5V, 0~2.0A	±5%	100mV	76%
APV-12-12	12V, 0~1.0A	±5%	120mV	82%
APV-12-15	15V, 0~0.8A	±5%	120mV	82%
APV-12-24	24V, 0~0.5A	±5%	150mV	84%

APV-16 Series (C.V. mode)

Model No.	Output	Tol.	R&N	Effi.
APV-16-5	5V, 0~2.60A	±5%	100mV	76%
APV-16-12	12V, 0~1.25A	±5%	120mV	80%
APV-16-15	15V, 0~1.00A	±5%	120mV	81%
APV-16-24	24V, 0~0.67A	±5%	150mV	83%

APC-12 Series (C.C. mode)

Model No.	Output	Tol.	R&N	Effi.
APC-12-350	9~36V, 350mA	±5%	300mV	82%
APC-12-700	9~18V, 700mA	±5%	250mV	80%

APC-16 Series (C.C. mode)

Model No.	Output	Tol.	R&N	Effi.
APC-16-350	12~48V, 350mA	±5%	300mV	84%
APC-16-700	9~24V, 700mA	±5%	250mV	83%

Under Development



25W/35W Low Cost LED Power Supply

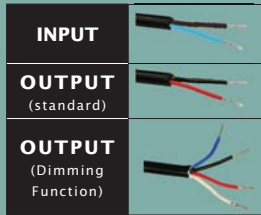
- Universal AC input / Full range
- Constant current design (APC-25/35)
- Constant voltage design (APV-25/35)
- Fully isolated plastic case
- Cooling by free air convection
- Small and compact size
- Low cost
- Output models: 350mA / 500mA / 700mA / 1050mA (APC-25/35) 5V / 12V / 15V / 24V / 36V (APV-25/35)
- Dimension(LxWxH): 84x 57x 29.5mm
- 2 years warranty

ELN series

30~60W Single Output Class 2 Power Unit

Features

- Universal AC input / Full range
- Fully isolated plastic case with IP64 level
- Built-in constant current limiting circuit with adjustable OCP level
- Protections: Short circuit / Overload / Over voltage
- **Optional dimming function: 1.1~10VDC(D type) or PWM (P type) controlled**
- UL1310 Class 2 power unit / Pass LPS
- Cooling by free air convection
- Suitable for economical LED indoor lighting and LED electronic displays
- 2 years warranty



AC input voltage range	90~264VAC ; 127~370VDC	
AC inrush current (max.)	Cold start, 60A at 230VAC	
DC adjustment range	±10% rated output voltage	
Current adjustment range	75%~103% rated output current adjustable by internal potential meter	
Overload protection	95%~110% constant current limiting, auto-recovery	
Over voltage protection	Range	110%~150% rated output voltage
	Type	Shut down o/p voltage, re-power on to restart
Withstand voltage	I/P-O/P: 3kVAC	
Working temperature	-20~+60°C (refer to output derating curve)	
Vibration	10~500Hz, 2G 10min/1 cycle, period for 60 min each along X, Y, Z axes	
Safety standards	UL1310 class 2, CAN/CSA-C22.2 No. 223-M91(except for 48V) approved; Design refer to TUV EN60950-1, EN61347-2-13	
EMC standards	EN55022 class B, EN61000-3-2 class A, EN61000-3-3, EN61000-4-2,3,4,5,6,8,11, ENV50204	
Connection	Input/Output: UL rated, 18AWGx2C (32cm);	Input/Output: UL rated, 18AWGx2C (30cm);
	Output(with optional dimming function): 18AWGx4C (32cm)	Output(with optional dimming function): 18AWGx4C (30cm)
Dimension (LxWxH)(mm)	145x 47x 30	181x 61.5x 35
Packing	0.26kg ; 60pcs / 16.6kg	0.4kg ; 24pcs / 11.0kg

ELN-30 Series



Model No.	Output	Tol.	R&N	Effi.
ELN-30-5	5V, 0~5.0A	±5%	80mV	75%
ELN-30-9	9V, 0~3.4A	±5%	100mV	80%
ELN-30-12	12V, 0~2.5A	±5%	120mV	82%
ELN-30-15	15V, 0~2.0A	±5%	120mV	82%
ELN-30-24	24V, 0~1.25A	±5%	150mV	85%
ELN-30-27	27V, 0~1.12A	±5%	150mV	85%
ELN-30-48	48V, 0~0.63A	±5%	250mV	87%

ELN-60 Series



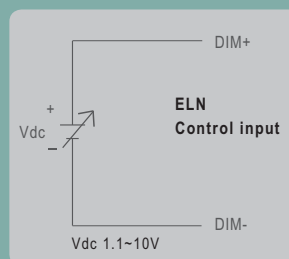
Model No.	Output	Tol.	R&N	Effi.
ELN-60-9	9V, 0~5.0A	±5%	120mV	82%
ELN-60-12	12V, 0~5.0A	±5%	120mV	85%
ELN-60-15	15V, 0~4.0A	±5%	150mV	86%
ELN-60-24	24V, 0~2.5A	±5%	150mV	87%
ELN-60-27	27V, 0~2.3A	±5%	200mV	87%
ELN-60-48	48V, 0~1.3A	±5%	250mV	88%

Dimming Control (optional)

Through the dimming function, output current of ELN series can be adjusted to reduce the energy consumption or adjust the brightness of LEDs connecting to it. Two kinds of control signal are accepted: 1.1~10VDC (D-type option) or PWM signal (P-type option).

D Type :

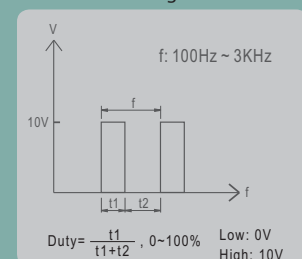
1.1~10Vdc external control signal



Order No.: ELN-**30**-**5**D

P Type :

PWM control signal



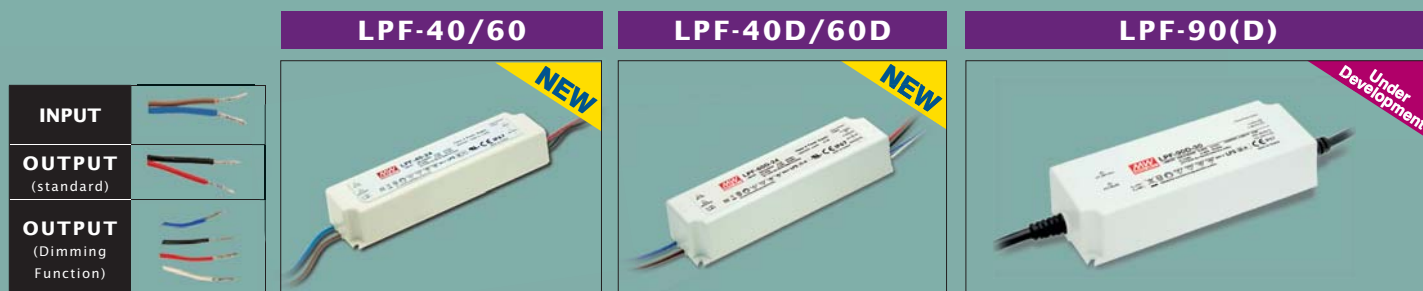
Order No.: ELN-**30**-**5**P

LPF series

40~90W Single Output Class 2 with PFC

Features

- Universal AC input (up to 305VAC) / Full Range
- Protections: Short circuit / Overload / Over voltage / Over temperature
- Built-in active PFC function
- High efficiency up to 91%
- Fully isolated plastic case
- Isolation class II, no FG
- Class 2 power unit
- Built-in 3 in 1 dimming function (1~10VDC, PWM signal or resistance) for LPF-40D/ 60D/ 90D
- Fully encapsulated with IP67 level
- Cooling by free air convection
- Suitable for LED lighting and moving sign applications
- Suitable for dry, damp, wet (LPF-90□) location
- 3 years warranty



AC input voltage range	90~305VAC ; 127~431VDC	
AC inrush current (max.)	Cold start, 75A at 230VAC	Cold start, 70A at 230VAC
Overload Protection	95% ~108% constant current, auto-recovery	
Over voltage Protection	110%~140% rated output voltage	
Withstand voltage	I/P - O/P: 3.75kVAC	
Working temperature	-40°C~+70°C (refer to output derating curve)	
Setup, rise, hold up time	1000ms, 80ms, 16ms at full load and 230VAC	
Safety standards	UL8750, TUV EN61347-1, EN61347-2-13 approved [LPF-90(D) pending] ; Design refer to UL60950-1, TUV EN60950-1	
EMC standards	EN55015, EN61547, EN61000-3-2 class C, EN61000-3-3, EN61000-4-2,3,4,5,6,8,11, ENV50204, EN55024	
Connection	Input	UL rated, 18AWGx2C (60cm)
	Output	UL rated, 16AWGx2C (60cm)
Connection	Output	UL rated, 16AWGx2C (60cm) + 22AWGx2C (60cm)
	Output	LPF-90: UL rated, 18AWGx2C (30cm) LPF-90D: UL rated, 18AWGx4C (30cm)
Dimension (LxWxH)(mm)	162.5x 42.5x 32	162.5x 43.5x 32
Dimension (LxWxH)(mm)	161x 61x 36	

LPF-40□ Series



Model No.	Output	Tol.	R&N	Effi.
LPF-40□-12	12V, 0~3.34A	±4.0%	150mV	84%
LPF-40□-15	15V, 0~2.67A	±4.0%	150mV	85%
LPF-40□-20	20V, 0~2.00A	±4.0%	150mV	86%
LPF-40□-24	24V, 0~1.67A	±4.0%	150mV	87%
LPF-40□-30	30V, 0~1.34A	±4.0%	200mV	88%
LPF-40□-36	36V, 0~1.12A	±4.0%	250mV	88%
LPF-40□-42	42V, 0~0.96A	±4.0%	250mV	89%
LPF-40□-48	48V, 0~0.84A	±4.0%	250mV	89%
LPF-40□-54	54V, 0~0.76A	±4.0%	350mV	89%

□ = Blank, D ; Blank: without dimming function , D: with dimming function

LPF-60□ Series



Model No.	Output	Tol.	R&N	Effi.
LPF-60□-12	12V, 0~5.00A	±4.0%	150mV	86%
LPF-60□-15	15V, 0~4.00A	±4.0%	150mV	87%
LPF-60□-20	20V, 0~3.00A	±4.0%	150mV	88%
LPF-60□-24	24V, 0~2.50A	±4.0%	150mV	89%
LPF-60□-30	30V, 0~2.00A	±4.0%	200mV	90%
LPF-60□-36	36V, 0~1.67A	±4.0%	250mV	90%
LPF-60□-42	42V, 0~1.43A	±4.0%	250mV	90%
LPF-60□-48	48V, 0~1.25A	±4.0%	250mV	90%
LPF-60□-54	54V, 0~1.12A	±4.0%	350mV	90%

□ = Blank, D ; Blank: without dimming function , D: with dimming function

LPF-90□ Series



Model No.	Output	Tol.	R&N	Effi.
LPF-90□-15	15V, 0~5.00A	±4.0%	150mV	89.0%
LPF-90□-20	20V, 0~4.50A	±4.0%	150mV	90.0%
LPF-90□-24	24V, 0~3.75A	±4.0%	150mV	90.5%
LPF-90□-30	30V, 0~3.00A	±4.0%	200mV	91.0%
LPF-90□-36	36V, 0~2.50A	±4.0%	200mV	91.0%

Model No.	Output	Tol.	R&N	Effi.
LPF-90□-42	42V, 0~2.15A	±4.0%	200mV	91%
LPF-90□-48	48V, 0~1.88A	±4.0%	200mV	91%
LPF-90□-54	54V, 0~1.67A	±4.0%	200mV	91%

□ = Blank, D ; Blank: without dimming function , D: with dimming function

PLN series

20~96W Single Output Class 2 with PFC

Features

- Universal AC input (up to 295VAC) / Full range
- Fully isolated plastic case with IP64 level
- Built-in active PFC function, PF>0.9 for 75% of load or higher
- Protections: Short circuit / Overload / Over voltage / Over temp.
- Built-in constant current limiting circuit (C.V.+C.C. mode)
- UL1310 Class 2 power unit / Pass LPS
- User adjustable output voltage (except for PLN-20) and current protection level
- Cooling by free air convection
- 100% full load burn-in test
- Suitable for LED lighting and moving sign applications
- 2 years warranty

	PLN-20	PLN-30	PLN-45	PLN-60	PLN-100
INPUT (PLN-45/60/100)					
INPUT (PLN-20/30)					
OUTPUT					
AC input voltage range	90~277VAC	90~295VAC ; 127~417VDC			
AC inrush current (max.)	Cold start, 40A at 230VAC				
DC adjustment range	None	95%~108% rated output voltage adjustable by internal potential meter			85%~100% rated output voltage
Current adjustment range	75% ~100%	75%~103% rated output current adjustable by internal potential meter			
Overload protection	95%~110% constant current limiting, auto-recovery	100%~110% constant current limiting, auto-recovery	95%~110% constant current limiting, auto-recovery	95%~102% constant current limiting, auto-recovery	
Over voltage protection	105%~142% rated output voltage	110%~155% rated output voltage	115%~140% rated output voltage	107%~135% rated output voltage	
Setup, rise, hold up time	2300ms(setup time) at full load and 230VAC, no hold up time	1500ms (setup time) at full load and 230VAC, no hold up time			1200ms, 80ms, 60ms at full load and 230VAC
Withstand voltage	I/P-O/P: 3.75kVAC				
Working temperature	-30~+60°C	-30~+50°C (refer to output derating curve)			
Safety standards	UL1310 Class 2, CAN/CSA-C22.2 No.223-M91 (except for 48V & PLN-20), EN61347-1, EN61347-2-13, UL879 (except for PLN-20) approved ; UL8750 approved (except for PLN-30); TUV EN60950-1 approved for PLN-100 only				
EMC standards	EN55015, EN55022 class B (PLN-60/100 only), EN61000-3-2 class C, EN61000-3-3, EN61000-4-2,3,4,5,6,8,11, ENV50204, EN61547				
Connection	Input	UL rated, 18AWGx2C (32cm)		UL rated, 18AWGx3C (30cm)	UL rated, 18AWGx3C (31cm)
	Output			UL rated, 18AWGx2C (30cm)	UL rated, 18AWGx2C (31cm)
Dimension (LxWxH) (mm)	148.5x 38.5x 28	145x 47x 30	181x 61.5x 35	200x 70.5x 35	

PLN-20 Series



Model No.	Output	Tol.	R&N	Effi.
PLN-20-12	12V, 0~1.6A	±10%	2.5V	80.0%
PLN-20-18	18V, 0~1.1A	±10%	3.0V	81.0%
PLN-20-24	24V, 0~0.8A	±10%	3.0V	82.0%
PLN-20-36	36V, 0~0.55A	±10%	3.0V	83.0%
PLN-20-48	48V, 0~0.42A	±10%	3.8V	83.5%

Model No.	Output	Tol.	R&N	Effi.
PLN-45-20	20V, 0~2.3A	±10%	1.8V	86.5%
PLN-45-24	24V, 0~1.9A	±10%	2.7V	86.5%
PLN-45-27	27V, 0~1.7A	±10%	2.7V	86.5%
PLN-45-36	36V, 0~1.25A	±10%	3.6V	87.5%
PLN-45-48	48V, 0~0.95A	±10%	4.6V	87.5%

PLN-30 Series



Model No.	Output	Tol.	R&N	Effi.
PLN-30-9	9V, 0~3.3A	±10%	2.6V	80.0%
PLN-30-12	12V, 0~2.5A	±10%	2.0V	82.5%
PLN-30-15	15V, 0~2.0A	±10%	2.6V	83.5%
PLN-30-20	20V, 0~1.5A	±10%	2.6V	84.0%
PLN-30-24	24V, 0~1.25A	±10%	2.6V	84.0%
PLN-30-27	27V, 0~1.12A	±10%	2.3V	84.5%
PLN-30-36	36V, 0~0.84A	±10%	4.5V	85.0%
PLN-30-48	48V, 0~0.63A	±10%	3.7V	85.5%

PLN-60 Series



Model No.	Output	Tol.	R&N	Effi.
PLN-60-12	12V, 0~5.0A	±10%	2.0V	85.0%
PLN-60-15	15V, 0~4.0A	±10%	2.4V	86.0%
PLN-60-20	20V, 0~3.0A	±10%	1.8V	87.5%
PLN-60-24	24V, 0~2.5A	±10%	2.7V	87.0%
PLN-60-27	27V, 0~2.3A	±10%	2.7V	88.0%
PLN-60-36	36V, 0~1.7A	±10%	3.6V	89.0%
PLN-60-48	48V, 0~1.3A	±10%	4.6V	89.0%

PLN-45 Series



Model No.	Output	Tol.	R&N	Effi.
PLN-45-12	12V, 0~3.8A	±10%	2.0V	83.5%
PLN-45-15	15V, 0~3.0A	±10%	2.4V	85.0%

PLN-100 Series



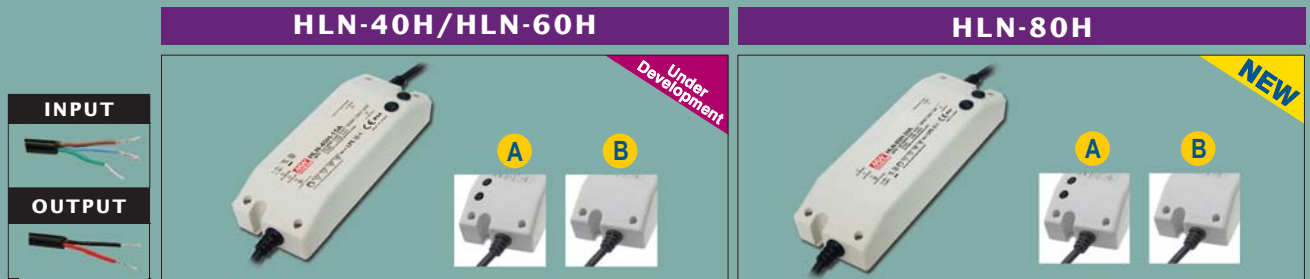
Model No.	Output	Tol.	R&N	Effi.
PLN-100-12	12V, 0~5.0A	±3%	150mV	84.5%
PLN-100-15	15V, 0~5.0A	±3%	150mV	86.5%
PLN-100-20	20V, 0~4.8A	±3%	150mV	90.0%
PLN-100-24	24V, 0~4.0A	±3%	150mV	90.0%
PLN-100-27	27V, 0~3.55A	±3%	150mV	90.0%
PLN-100-36	36V, 0~2.65A	±2%	150mV	90.0%
PLN-100-48	48V, 0~2.0A	±2%	200mV	89.0%

HLN series

40~80W Single Output Class 2 with PFC

Features

- Universal AC input (up to 305VAC) / Full range
- Fully isolated plastic case with IP64 level
- Built-in active PFC function, PF > 0.9 for 60% of load or higher
- Protections: Short circuit / Overload / Over voltage / Over temperature
- Built-in constant current limiting circuit (C.V.+C.C. mode)
- Class 2 power unit
- High efficiency up to 91%
- Cooling by free air convection
- Suitable for dry, damp location
- Suitable for LED lighting and moving sign applications
- Multiple models for choice:
 - A-Type: IP64 rated. Output and constant current level can be adjusted through internal potential meter
 - B-Type: IP64 rated and built-in 3 in 1 dimming function (1-10VDC, PWM signal, or resistance)
- 3 years warranty



AC input voltage range	90~305VAC; 127~431VDC	
AC inrush current (max.)	Cold start, 70A at 230VAC	
DC adjustment range	±10% rated output voltage (Type A only)	
Current adjustment range	60%~100% rated output current adjustable by internal potential meter or through output cable	
Overload protection	95%~108% constant current limiting, auto-recovery	
Over voltage protection	109%~145% rated output voltage	
Setup, rise, hold up time	1000ms, 80ms, 16ms at full load and 230VAC	
Withstand voltage	I/P-O/P: 3.75kVAC, I/P-FG: 1.88kVAC, O/P-FG: 0.5kVAC	
Working temperature	-40~+50°C (refer to output derating curve)	
Safety standards	UL8750, TUV EN61347-1, EN61347-2-13 approved(40W/60W pending); Design refer to UL60950-1, EN60950-1	
EMC standards	EN55015 class B, EN61000-3-2 class C, EN61000-3-3, EN61000-4-2,3,4,5,6,8,11, ENV50204, EN61547, EN55024	
Connection	Input	UL rated, 18AWGx3C (30cm)
	Output	A Type: UL rated, 18AWGx2C (30cm) ; B Type: UL rated, 18AWGx4C (30cm)
Dimension (LxWxH) (mm)	161 x 61.5 x 35	181 x 61.5 x 35

HLN-40H Series



Model No.	Output	Tol.	R&N	Effi.
HLN-40H-12(A)	12V, 0~3.33A	±2.5%	150mV	87.0%
HLN-40H-15(A)	15V, 0~2.67A	±2.0%	150mV	87.0%
HLN-40H-20(A)	20V, 0~2.00A	±1.0%	150mV	88.0%
HLN-40H-24(A)	24V, 0~1.67A	±1.0%	150mV	88.5%
HLN-40H-30(A)	30V, 0~1.34A	±1.0%	200mV	89.0%
HLN-40H-36(A)	36V, 0~1.12A	±1.0%	200mV	89.0%
HLN-40H-42(A)	42V, 0~0.96A	±1.0%	200mV	90.0%
HLN-40H-48(A)	48V, 0~0.84A	±1.0%	300mV	90.0%
HLN-40H-54(A)	54V, 0~0.75A	±1.0%	300mV	90.0%

○ = A or B

HLN-60H Series



Model No.	Output	Tol.	R&N	Effi.
HLN-60H-15(A)	15V, 0~4.0A	±2.0%	150mV	88%
HLN-60H-20(A)	20V, 0~3.0A	±1.0%	150mV	89%
HLN-60H-24(A)	24V, 0~2.5A	±1.0%	150mV	90%
HLN-60H-30(A)	30V, 0~2.0A	±1.0%	200mV	90%

Model No.	Output	Tol.	R&N	Effi.
HLN-60H-36(A)	36V, 0~1.70A	±1.0%	200mV	90%
HLN-60H-42(A)	42V, 0~1.45A	±1.0%	200mV	91%
HLN-60H-48(A)	48V, 0~1.30A	±1.0%	300mV	91%
HLN-60H-54(A)	54V, 0~1.15A	±1.0%	300mV	91%

○ = A or B

HLN-80H Series



Model No.	Output	Tol.	R&N	Effi.
HLN-80H-12(A)	12V, 0~5.0A	±2.5%	150mV	88.0%
HLN-80H-15(A)	15V, 0~5.0A	±2.0%	150mV	89.0%
HLN-80H-20(A)	20V, 0~4.0A	±1.0%	150mV	90.0%
HLN-80H-24(A)	24V, 0~3.4A	±1.0%	150mV	90.5%
HLN-80H-30(A)	30V, 0~2.7A	±1.0%	200mV	91.0%
HLN-80H-36(A)	36V, 0~2.3A	±1.0%	200mV	91.0%
HLN-80H-42(A)	42V, 0~1.95A	±1.0%	200mV	91.0%
HLN-80H-48(A)	48V, 0~1.7A	±1.0%	200mV	91.0%
HLN-80H-54(A)	54V, 0~1.5A	±1.0%	200mV	91.0%

○ = A or B

PLC-series

30~96W Single Output Class 2 with PFC

► Features

- Universal AC input / Full range
- Fully isolated plastic case with screw terminal style of I/O
- Built-in constant current limiting circuit (C.V.+C.C. mode)
- Adjustable output voltage and current level
- Built-in active PFC function, PF>0.9 for 75% of load or higher
- High efficiency up to 90%
- UL1310 Class 2 power unit / Pass LPS
- Cooling by free air convection
- Protections: Short circuit / Overload / Over voltage / Over temperature
- 100% full load burn-in test
- Suitable for LED lighting and moving sign applications
- 2 years warranty



AC input voltage range	90~264VAC ; 127~370VDC		
AC inrush current (max.)	Cold start, 40A at 230VAC		
DC adjustment range	95%~108% rated output voltage adjustable by internal potential meter		85%~100% rated output voltage
Current adjustment range	75%~103% rated output current adjustable by internal potential meter		75%~100% rated output voltage
Overload protection	100%~110% constant current limiting, auto-recovery	95%~110% constant current limiting, auto-recovery	95%~102% constant current limiting, auto-recovery
Over voltage protection	110%~155% rated output voltage	115%~140% rated output voltage	107%~135% rated output voltage
Setup time	1500ms at full load and 230VAC		1200ms at full load and 230VAC
Withstand voltage	I/P-O/P: 3.75kVAC	I/P-O/P: 3.75kVAC, I/P-FG: 1.88kVAC, O/P-FG:0.5kVAC	
Working temperature	-30~+50°C (refer to output derating curve)		
Safety standards	UL1310 Class 2, CAN/CSA-C22.2 No.223-M91 (except for 48V), EN61347-1, EN61347-2-13 approved; TUV EN60950-1 approved for PLC-100 only		
EMC standards	EN55015, EN55022 class B (PLC-45/60/100), EN61000-3-2 class C, EN61000-3-3, EN61000-4-2,3,4,5,6,8,11, ENV50204, EN61547		
Connection (Input / Output)	2+2P screw terminal block	3+2P screw terminal block	
Dimension (LxWxH)(mm)	160x 46x 30	181.5x 62x 35	200.5x 69.5x 35
Packing	0.2kg ; 70pcs / 15kg	0.41kg ; 30pcs / 13.3kg	0.52kg ; 25pcs / 14kg

PLC-30 Series



Model No.	Output	Tol.	R&N	Effi.
PLC-30-9	9V, 0~3.3A	±10%	2.6V	80.0%
PLC-30-12	12V, 0~2.5A	±10%	2.0V	82.5%
PLC-30-15	15V, 0~2.0A	±10%	2.6V	83.5%
PLC-30-20	20V, 0~1.5A	±10%	2.6V	84.0%
PLC-30-24	24V, 0~1.25A	±10%	2.4V	84.0%
PLC-30-27	27V, 0~1.12A	±10%	2.3V	84.5%
PLC-30-36	36V, 0~0.84A	±10%	3.6V	85.0%
PLC-30-48	48V, 0~0.63A	±10%	3.7V	85.5%

PLC-60 Series



Model No.	Output	Tol.	R&N	Effi.
PLC-60-12	12V, 0~5.0A	±10%	2.0V	85.0%
PLC-60-15	15V, 0~4.0A	±10%	2.4V	86.0%
PLC-60-20	20V, 0~3.0A	±10%	1.8V	87.5%
PLC-60-24	24V, 0~2.5A	±10%	2.4V	87.0%
PLC-60-27	27V, 0~2.3A	±10%	2.7V	88.0%
PLC-60-36	36V, 0~1.7A	±10%	3.6V	89.0%
PLC-60-48	48V, 0~1.3A	±10%	4.6V	89.0%

PLC-45 Series



Model No.	Output	Tol.	R&N	Effi.
PLC-45-12	12V, 0~3.8A	±10%	2.0V	83.5%
PLC-45-15	15V, 0~3.0A	±10%	2.4V	85.0%
PLC-45-20	20V, 0~2.3A	±10%	1.8V	86.5%
PLC-45-24	24V, 0~1.9A	±10%	2.7V	86.5%
PLC-45-27	27V, 0~1.7A	±10%	2.7V	86.5%
PLC-45-36	36V, 0~1.25A	±10%	3.6V	87.5%
PLC-45-48	48V, 0~0.95A	±10%	4.6V	87.5%

PLC-100 Series



Model No.	Output	Tol.	R&N	Effi.
PLC-100-12	12V, 0~5.0A	±3%	150mV	84.5%
PLC-100-15	15V, 0~5.0A	±3%	150mV	86.5%
PLC-100-20	20V, 0~4.8A	±3%	150mV	90.0%
PLC-100-24	24V, 0~4.0A	±3%	150mV	90.0%
PLC-100-27	27V, 0~3.55A	±3%	150mV	90.0%
PLC-100-36	36V, 0~2.65A	±2%	150mV	90.0%
PLC-100-48	48V, 0~2.0A	±2%	200mV	89.0%

PCD/PLD series

16~25W Single Output AC Dimmable Power Unit

Features

- **PCD-16/25:** 115VAC(90~135VAC) or 230VAC(180~295VAC) input
- **PLD-25:** AC input 90~295VAC
- **PCD16/25:** AC phase-cut dimming, work with leading edge and trailing edge TRIAC dimmers
- Built-in active PFC function
- Constant current design
- Fully isolated plastic case
- Class II design, without FG
- Protections: Short circuit / Overload / Over temperature
- Cooling by free air convection
- 3 years warranty



		PCD-16 / 25	PLD-25
AC input voltage range		115VAC (90~135VAC) or 230VAC (180~295VAC)	90~295VAC
AC inrush current (max.)		Cold start, 40A at 230VAC	
Overload Protection		95% ~110% constant current, auto-recovery	
Withstand voltage		I/P - O/P: 3.75kVAC	
Working temperature		-30°C ~ +60°C (refer to output derating curve)	
Safety standards		Design refer to UL8750, EN61347-1, EN61347-2-13	
EMC standards		A Type: FCC part 18 class A B Type: EN55015 class B, EN61000-3-2 class C, EN61000-3-3, EN61000-4-2,3,4,5,6,8,11, ENV50204, EN61547	FCC part18 class A, EN55015 class B, EN61000-3-2 class C, EN61000-3-3, EN61000-4-2,3,4,5,6,8,11, ENV50204, EN61547
Connection	Input	UL rated, 18AWGx2C (7.5cm)	
	Output	UL rated, 18AWGx2C (15cm)	
Dimension (LxWxH)(mm)		84x 57x 29.5	

PCD-16 Series



Model No.	Output	Io Tol.	R&N	Effi.
PCD-16-350 <input type="checkbox"/>	24~48V, 350mA	±4%	4.6V	82.0%
PCD-16-700 <input type="checkbox"/>	16~24V, 700mA	±4%	2.7V	81.0%
PCD-16-1050 <input type="checkbox"/>	12~16V, 1050mA	±4%	2.2V	80.5%
PCD-16-1400 <input type="checkbox"/>	8~12V, 1400mA	±4%	2.0V	80.0%

=A or B type ; A type: 90~135VAC, B type: 180~295VAC

PCD-25 Series



Model No.	Output	Io Tol.	R&N	Effi.
PCD-25-350 <input type="checkbox"/>	40~58V, 350mA	±4%	4.6V	82.0%
PCD-25-700 <input type="checkbox"/>	24~36V, 700mA	±4%	2.7V	81.0%
PCD-25-1050 <input type="checkbox"/>	16~24V, 1050mA	±4%	2.2V	80.5%
PCD-25-1400 <input type="checkbox"/>	12~18V, 1400mA	±4%	2.0V	80.0%

=A or B type ; A type: 90~135VAC, B type: 180~295VAC

PLD-25 Series



Model No.	Output	Io Tol.	R&N	Effi.
PLD-25-350	40~58V, 350mA	±4%	4.6V	85%
PLD-25-700	24~36V, 700mA	±4%	2.7V	86%
PLD-25-1050	16~24V, 1050mA	±4%	2.2V	85%
PLD-25-1400	12~18V, 1400mA	±4%	2.0V	84%

Dimmer Compatibility Chart

Manufacturer	Dimmer Model	
LUTRON	SKYLARK SF-12P-277	(277VAC / 60Hz)
LUTRON	DVF-103P-277	(277VAC / 60Hz)
LUTRON	SKYLARK SF-10P	(120VAC / 60Hz)
LUTRON	SKYLARK S-600P	(120VAC / 60Hz)
LUTRON	SKYLARK DVF-103P	(120VAC / 60Hz)
LUTRON	ILLUMATECH TM Cat.No.IP106	(120VAC / 60Hz)
LUTRON	SURESLIDE TM Cat.No.6633-P	(120VAC / 60Hz)
LUTRON	SURESLIDE TM Cat. NO.6615-P	(120VAC / 60Hz)
JUNG	Licht-Management 225 TMD	(230VAC / 50Hz)
JUNG	Licht-Management 225 NV DE	(230VAC / 50Hz)
BERKER	Tronic-Drehdimmer 286710	(230-240VAC / 50Hz)
BE LICHTREGLER	T39.01	(230VAC / 50Hz)
BE LICHTREGLER	T46	(230VAC / 50Hz)
CLIPSAL	32E450UDM	(220-240VAC / 50Hz)
CLIPSAL	NO 32E450TM	(220-240VAC / 50Hz)

▶ Conduction angle: 30 degrees (min.) / 180 degrees (max.)

▶ For PCD-16/25 only

PLP series

20~60W Single Output with PFC

Features

- Universal AC input / Full range
- Protections: Short circuit / Overload / Over voltage / Over temperature (PLP-20 only)
- Built-in active PFC function, PF>0.9 for 75% of load or higher
- Cooling by free air convection
- Built-in constant current limiting circuit (C.V.+C.C. mode)
- 100% full load burn-in test
- Suitable for building in LED lighting systems
- 2 years warranty



AC input voltage range	90~277VAC; 127~392VDC	90~264VAC; 127~370VDC
AC inrush current (max.)	Cold start, 40A at 230VAC	Cold start, 42A at 230VAC
Current adjustable range	75%~100% rated output current	
Overload Protection	Range	95%~110%
	Type	100%~110%
	Constant current limiting, auto-recovery	
Setup, rise, hold up time	2300ms, 200ms at full load and 230VAC, no hold up time	1200ms(setup time) at full load and 230VAC, no hold up time
Withstand voltage	I/P-O/P: 3.75kVAC	I/P-O/P: 3.75kVAC, I/P-FG: 1.88kVAC, O/P-FG: 0.5kVAC
Working temperature	-30~+60°C	
Safety standards	TUV EN61347-1, EN61347-2-13, UL8750 (PLP-20 only) approved	
EMC standards	EN55015, EN61000-3-2 Class C, EN61000-3-3, EN61000-4-2,3,4,5,6,8,11, ENV50204, EN61547	
Connection	UL rated, 18AWGx2C (30cm)	3+2P / 3.96mm pitch, JST P/N: B3P / B2P-VH
Dimension (LxWxH)(mm)	140x 32x 22	101.6x 50.8x 26.6
		101.6x 50.8x 29.6

PLP-20 Series



Model No.	Output	Tol.	R&N	Effi.
PLP-20-12	12V, 0~1.6A	±10%	2.5V	80.0%
PLP-20-18	18V, 0~1.1A	±10%	3.0V	81.0%
PLP-20-24	24V, 0~0.8A	±10%	3.0V	82.0%
PLP-20-36	36V, 0~0.55A	±10%	3.0V	83.0%
PLP-20-48	48V, 0~0.42A	±10%	3.8V	83.5%

PLP-30 Series



Model No.	Output	Tol.	R&N	Effi.
PLP-30-12	12V, 0~2.5A	±10%	2.0V	83.0%
PLP-30-24	24V, 0~1.3A	±10%	2.4V	85.5%
PLP-30-48	48V, 0~0.63A	±10%	4.8V	86.5%

PLP-45 Series



Model No.	Output	Tol.	R&N	Effi.
PLP-45-12	12V, 0~3.8A	±10%	4.2V	86%
PLP-45-24	24V, 0~1.9A	±10%	3.8V	89%
PLP-45-48	48V, 0~0.95A	±10%	4.8V	89%

PLP-60 Series



Model No.	Output	Tol.	R&N	Effi.
PLP-60-12	12V, 0~5.0A	±10%	4.5V	84%
PLP-60-24	24V, 0~2.5A	±10%	4.5V	88%
PLP-60-48	48V, 0~1.3A	±10%	4.8V	89%

Waterproof Connector List

Waterproof Connector	Pin Configuration (Female)							
	M12				M15			
		Order No. :		Order No. :		Order No. :		Order No. :
		M12-02		M12-04				M12-05
		Suitable Current :		Suitable Current :				Suitable Current :
	2-pin (5A/PIN)	5A max.	4-pin (5A/PIN)	10A max.	5-pin (5A/PIN)	10A max.	2-pin (12A/PIN)	12A max.

▶ The output cable can be modified to include different waterproof connectors by MEAN WELL. Minimum order quantity may vary for different models.

Cable Joiner

14AWG~16AWG for CJ04-1
18AWG~22AWG for CJ04-2

Up to four wires can be connected through this cable joiner by soldering or clamping by tools.

Order No. : CJ04-1
CJ04-2

▶ CJ04 cable joiner can be purchased independently for user's own assembly.

HLP series

40~80W Single Output Class 2 with PFC

Features

- Universal AC input (up to 305VAC) / Full range
- Protections:
 - Short circuit / Overload / Over voltage / Over temperature
- Built-in active PFC, PF>0.95
- Output constant current level adjustable
- Built-in constant current limiting circuit (C.V.+C.C. mode)
- Cooling by free air convection
- Suitable for built-in LED lighting system
- Built-in 3 in 1 dimming function (1~10VDC, PWM signal or resistance)
- 3 years warranty



AC input voltage range	90~305VAC ; 127~431VDC	
AC inrush current (max.)	Cold start, 70A at 230VAC	
DC adjustment range	±10% rated output voltage	
Current adjustment range	60%~100% rated output current adjustable by internal potential meter or through output connector	
Overload protection	95%~108% constant current limiting, auto-recovery	
Over voltage protection	109%~145% rated output voltage, shut off, re-power on to recover	
Setup, rise, hold up time	1000ms, 80ms, 16ms at full load and 230VAC	
Withstand voltage	I/P-O/P: 3.75kVAC, I/P-FG: 1.88kVAC, O/P-FG:0.5kVAC	
Working temperature	-40~+70°C (refer to output derating curve)	
Safety standards	UL8750, TUV EN61347-1, EN61347-2-13 approved(40W/60W pending); Design refer to UL60950-1, EN60950-1	
EMC standards	EN55015 class B, EN61000-3-2 class C, EN61000-3-3, EN61000-4-2,3,4,5,6,8,11, ENV50204, EN61547, EN55024	
Connection	Input	6+6P/3.96mm pitch, JST P/N: B6P-VH
	Output	
Dimension (LxWxH) (mm)	147x 53x 28	162x 53x 29.5

HLP-40H Series

UL/CUL/TUV/CB/CE pending

Model No.	Output	Tol.	R&N	Effi.
HLP-40H-12	12V, 0~3.33A	±2.5%	150mV	87.0%
HLP-40H-15	15V, 0~2.67A	±2.0%	150mV	87.0%
HLP-40H-20	20V, 0~2.00A	±1.0%	150mV	88.0%
HLP-40H-24	24V, 0~1.67A	±1.0%	150mV	88.5%
HLP-40H-30	30V, 0~1.34A	±1.0%	200mV	89.0%
HLP-40H-36	36V, 0~1.12A	±1.0%	200mV	89.0%
HLP-40H-42	42V, 0~0.96A	±1.0%	200mV	90.0%
HLP-40H-48	48V, 0~0.84A	±1.0%	300mV	90.0%
HLP-40H-54	54V, 0~0.75A	±1.0%	300mV	90.0%

Model No.	Output	Tol.	R&N	Effi.
HLP-60H-36	36V, 0~1.70A	±1.0%	200mV	90%
HLP-60H-42	42V, 0~1.45A	±1.0%	200mV	91%
HLP-60H-48	48V, 0~1.30A	±1.0%	300mV	91%
HLP-60H-54	54V, 0~1.15A	±1.0%	300mV	91%

HLP-60H Series

UL/CUL/TUV/CB/CE pending

Model No.	Output	Tol.	R&N	Effi.
HLP-60H-15	15V, 0~4.0A	±2.0%	150mV	88%
HLP-60H-20	20V, 0~3.0A	±1.0%	150mV	89%
HLP-60H-24	24V, 0~2.5A	±1.0%	150mV	90%
HLP-60H-30	30V, 0~2.0A	±1.0%	200mV	90%

HLP-80H Series

CBCE

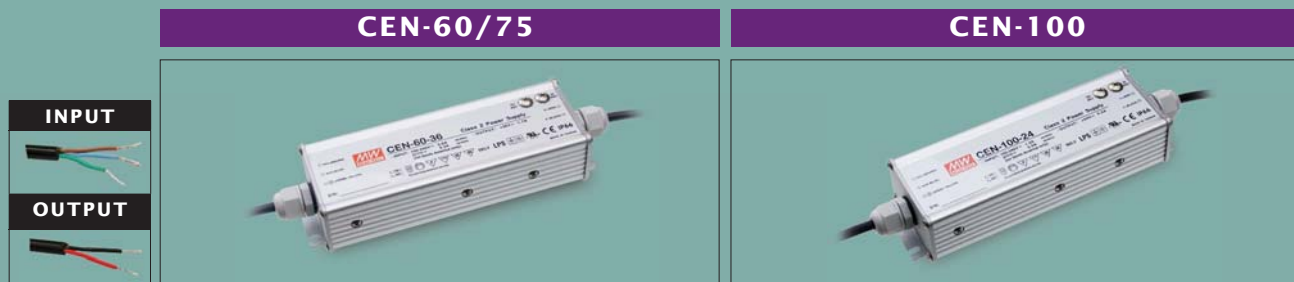
Model No.	Output	Tol.	R&N	Effi.
HLP-80H-12	12V, 0~5.0A	±2.5%	150mV	87.5%
HLP-80H-15	15V, 0~5.0A	±2.0%	150mV	88.5%
HLP-80H-20	20V, 0~4.0A	±1.0%	150mV	89.5%
HLP-80H-24	24V, 0~3.4A	±1.0%	150mV	90.0%
HLP-80H-30	30V, 0~2.7A	±1.0%	200mV	90.0%
HLP-80H-36	36V, 0~2.3A	±1.0%	200mV	90.0%
HLP-80H-42	42V, 0~1.95A	±1.0%	200mV	90.0%
HLP-80H-48	48V, 0~1.7A	±1.0%	200mV	90.0%
HLP-80H-54	54V, 0~1.5A	±1.0%	200mV	90.0%

CEN series

60~96W Single Output Class 2 with PFC

► Features

- Universal AC input (up to 295VAC) / Full range
- Protections:
 - Short circuit / Overload / Over voltage / Over temperature
- Built-in active PFC function, PF>0.9 for 75% of load or higher
- IP66 design
- Meet 4kV surge immunity level (IEC61000-4-5)
- UL1310 Class 2 power unit
- Cooling by free air convection
- Suitable for dry, damp and wet location
- Suitable for LED lighting and moving sign applications
- 3 years warranty



AC input voltage range	90~295VAC ; 127~417VDC	
AC inrush current (max.)	Cold start, 45A at 230VAC	Cold start, 60A at 230VAC
DC adjustment range	±10% rated output voltage	
Current adjustment range	75%~100% rated output current	
Overload protection	95%~110% constant current limiting, auto-recovery	
Over voltage protection	110%~140% shut off, re-power on to restart	110%~135% shut off, re-power on to restart
Over temp. protection	85°C ±10°C (RTH1) shut down O/P voltage, recovers automatically after fault condition goes down	
Setup time	1400ms at full load and 230VAC, no hold up time	3000ms at full load and 230VAC, no hold up time
Withstand voltage	I/P-O/P: 3.75kVAC, I/P-FG: 1.88kVAC, O/P-FG: 0.5kVAC	
Working temperature	-30~+70°C (refer to output derating curve)	
Safety standards	UL8750, UL879 (except for CEN-100), TUV EN61347-1, EN61347-2-13 approved	
EMC standards	EN55015, EN61000-3-2 Class C, EN61000-4-2,3,4,5,6,8,11, ENV50204, EN61547	
Connection	Input	UL rated, 18AWGx3C (30cm)
	Output	UL rated, 18AWGx2C (30cm)
Dimension (LxWxH) (mm)	183x 62.5x 40.5	193x 62.5x 40.5

CEN-60 Series



Model No.	Output	Tol.	R&N	Effi.
CEN-60-12	12V, 0~5.0A	±10%	2.0V	86%
CEN-60-15	15V, 0~4.0A	±10%	2.4V	87%
CEN-60-20	20V, 0~3.0A	±10%	1.8V	88%
CEN-60-24	24V, 0~2.5A	±10%	2.4V	89%
CEN-60-30	30V, 0~2.0A	±10%	3.0V	90%
CEN-60-36	36V, 0~1.7A	±10%	3.6V	90%
CEN-60-42	42V, 0~1.45A	±10%	4.0V	90%
CEN-60-48	48V, 0~1.3A	±10%	4.6V	91%
CEN-60-54	54V, 0~1.15A	±10%	5.0V	91%

CEN-75 Series



Model No.	Output	Tol.	R&N	Effi.
CEN-75-15	15V, 0~5.00A	±10%	2.7V	87%
CEN-75-20	20V, 0~3.75A	±10%	2.0V	88%
CEN-75-24	24V, 0~3.15A	±10%	2.7V	89%

Model No.	Output	Tol.	R&N	Effi.
CEN-75-30	30V, 0~2.50A	±10%	3.0V	90%
CEN-75-36	36V, 0~2.10A	±10%	3.6V	90%
CEN-75-42	42V, 0~1.80A	±10%	4.0V	90%
CEN-75-48	48V, 0~1.57A	±10%	4.6V	91%
CEN-75-54	54V, 0~1.40A	±10%	5.0V	91%

CEN-100 Series



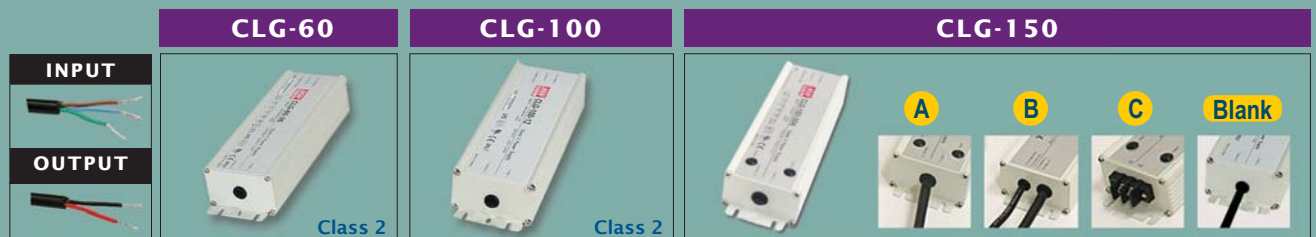
Model No.	Output	Tol.	R&N	Effi.
CEN-100-20	20V, 0~4.80A	±10%	2.0V	88%
CEN-100-24	24V, 0~4.00A	±10%	2.7V	89%
CEN-100-30	30V, 0~3.20A	±10%	3.0V	90%
CEN-100-36	36V, 0~2.65A	±10%	3.6V	90%
CEN-100-42	42V, 0~2.28A	±10%	4.0V	90%
CEN-100-48	48V, 0~2.00A	±10%	4.6V	91%
CEN-100-54	54V, 0~1.77A	±10%	5.0V	91%

CLG series

60~150W Single Output with PFC

Features

- Universal AC input (up to 295VAC) / Full range
- Protections: Short circuit / Overload / Over voltage / Over temp.
- Built-in active PFC function, PF>0.9 for 75% of load or higher
- IP67/IP65 design for indoor or outdoor installations (except for C type)
- Output current adjustable through output cable or internal potential meter (CLG-150)
- UL1310 class 2 power unit / Pass LPS (CLG-60&100)
- Cooling by free air convection
- Suitable for LED lighting, street lighting and moving sign applications
- Built-in constant current limiting circuit (C.V.+C.C. mode)
- Meet 4KV surge immunity level (IEC 61000-4-5)
- Multiple models for CLG-150 :
 - A-Type:** IP65 rated. Output voltage and constant current level can be adjusted through internal potential meter
 - B-Type:** IP67 rated. Constant current level adjustable through output cable
 - C-Type:** Non IP. Terminal block for I/O connection
 - Blank-Type:** IP67 rated. Cable for I/O connection
- 3 years warranty



AC input voltage range	90~295VAC; 127~417VDC	
AC inrush current (max.)	Cold start, 40A at 230VAC	Cold start, 65A at 230VAC
DC adjustment range	Fixed. Can be modified between 90%~110% (CLG-60) or 85%~100% (CLG-100) rated output voltage	A and C type can be adjusted by internal potential meter
Current adjustment range	Fixed. Can be modified between 75%~103% rated output current	Can be adjusted by internal potential meter (A and C type) or through output cable (B type)
Overload protection	95%~110% constant current, auto-recovery	95%~102% constant current, auto-recovery
Over voltage protection	110%~140%	107%~135%
Setup, rise, hold up time	3000ms(setup time), no hold up time	1200ms, 80ms, 60ms at full load and 230VAC
Withstand voltage	I/P-O/P: 3.75kVAC, I/P-FG: 1.88kVAC, O/P-FG: 0.5kVAC	
Working temperature	-30~+70°C (refer to output derating curve)	
Safety standards	UL1310 Class 2, CAN/CSA-C22.2 No.223-M91 (except for 48V), UL879, UL8750, EN61347-1, EN61347-2-13; J 61347-1, J61347-2-13 (option, CLG-60-20~48V & CLG-100-36/48 only) approved; TUV EN60950-1 and UL60950-1 for CLG-100 only	UL60950-1, UL1012, TUV EN60950-1, EN61347-1, EN61347-2-13; J61347-1, J61347-2-13 (option, except for CLG-150 C-type) approved
EMC standards	EN55015, EN55022 class B, EN61000-3-2 class C, EN61000-4-2,3,4,5,6,8,11, ENV50204, EN61547	
Connection	Input	UL rated, 18AWGx3C (30cm)
	Output	UL rated, 18AWGx2C (30cm)
Dimension (LxWxH)(mm)	195.6x 61.5x 38.8	222.2x 68x 38.8
Packing	0.86kg; 16pcs / 14.8kg	1.0kg; 12pcs / 13kg

CLG-60 Series



Model No.	Output	Tol.	R&N	Effi.
★ CLG-60-12	12V, 0~5.0A	±10%	2.0V	85.0%
CLG-60-15	15V, 0~4.0A	±10%	2.4V	86.0%
CLG-60-20	20V, 0~3.0A	±10%	1.8V	87.5%
★ CLG-60-24	24V, 0~2.5A	±10%	2.7V	87.0%
CLG-60-27	27V, 0~2.3A	±10%	2.7V	88.0%
CLG-60-36	36V, 0~1.7A	±10%	3.6V	89.0%
★ CLG-60-48	48V, 0~1.3A	±10%	4.6V	89.0%

CLG-100 Series



Model No.	Output	Tol.	R&N	Effi.
★ CLG-100-12	12V, 0~5.00A	±3%	150mV	84.5%
CLG-100-15	15V, 0~5.00A	±3%	150mV	86.5%
CLG-100-20	20V, 0~4.80A	±3%	150mV	90.0%
★ CLG-100-24	24V, 0~4.00A	±3%	150mV	90.0%

Model No.	Output	Tol.	R&N	Effi.
CLG-100-27	27V, 0~3.55A	±3%	150mV	90.0%
CLG-100-36	36V, 0~2.65A	±2%	150mV	90.0%
★ CLG-100-48	48V, 0~2.00A	±2%	200mV	89.0%

CLG-150 Series



Model No.	Output	Tol.	R&N	Effi.
★ CLG-150-12 [A]	12V, 0~11.0A	±2%	150mV	88%
CLG-150-15 [A]	15V, 0~9.50A	±2%	150mV	88%
CLG-150-20 [A]	20V, 0~7.50A	±2%	150mV	90%
★ CLG-150-24 [A]	24V, 0~6.30A	±1%	150mV	90%
CLG-150-30 [A]	30V, 0~5.00A	±1%	150mV	91%
★ CLG-150-36 [A]	36V, 0~4.20A	±1%	150mV	91%
★ CLG-150-48 [A]	48V, 0~3.20A	±1%	200mV	91%

□ = A, B, C or blank

★ CLG-60-12/24/48, CLG-100-12/24/48 & CLG-150-12A/24A/36A/48A are our popular models. We will keep sufficient stock for prompt delivery of high quantity orders.

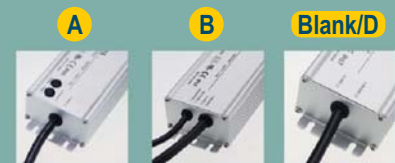
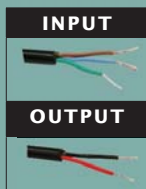
HLG series

40~60W High Efficiency with PFC

Features

- Universal AC input (up to 305VAC) / Full range
 - Protections:
 - Short circuit / Overload / Over voltage / Over temp.
 - Built-in active PFC, PF>0.9 for 60% of load or higher
 - High efficiency up to 91%
 - IP67 / IP65 design for indoor or outdoor installations
 - Output current adjustable through output cable or internal potential meter
 - Cooling by free air convection
 - Suitable for dry, damp and wet location
 - Suitable for LED lighting and street lighting applications
- Multiple models for choice:
 - A-Type:** IP65 rated. Output voltage and constant current level can be adjusted through internal potential meter
 - B-Type:** IP67 rated and built-in 3 in 1 dimming function (1~10VDC, PWM signal, or resistance)
 - Blank-Type:** IP67 rated. Cable for I/O connection
 - D-Type(option):** IP67 rated. Timer dimming function, contact MEAN WELL for details.
 - 5 years warranty

HLG-40H/60H



AC input voltage range	90~305VAC ; 127~431VDC	
AC inrush current (max.)	Cold start, 70A at 230VAC	
DC adjustment range	±10% rated output voltage (Type A only)	
Current adjustment range	60%~100% rated output current adjustable by internal potential meter or through output cable	
Overload protection	95%~108% constant current limiting, auto-recovery	
Over voltage protection	109%~145% rated output voltage, shut off, re-power on to recover	
Setup, rise, hold up time	1000ms, 80ms, 16ms at full load and 230VAC	
Withstand voltage	I/P-O/P: 3.75kVAC, I/P-FG: 1.88kVAC, O/P-FG:0.5kVAC	
Working temperature	-40~+70°C (refer to output derating curve)	
Safety standards	Design refer to UL8750, TUV EN61347-1, EN61347-2-13, UL60950-1, EN60950-1	
EMC standards	EN55015, EN61000-3-2 class C, EN61000-3-3, EN61000-4-2,3,4,5,6,8,11, ENV50204, EN61547, EN55024	
Connection	Input	UL rated, 18AWGx3C (30cm)
	Output	A/D/Blank-Type:18AWGx2C (30cm); B-Type: 18AWGx2C (30cm)+18AWGx2C (30cm)
Dimension (LxWxH) (mm)	171x 61.5x 36.8	

HLG-40H Series

UL/CUL/TUV/CB/CE pending

Model No.	Output	Tol.	R&N	Effi.
HLG-40H-12(A)	12V, 0~3.33A	±2.5%	150mV	87.0%
HLG-40H-15(A)	15V, 0~2.67A	±2.0%	150mV	87.0%
HLG-40H-20(A)	20V, 0~2.00A	±1.0%	150mV	88.0%
HLG-40H-24(A)	24V, 0~1.67A	±1.0%	150mV	88.5%
HLG-40H-30(A)	30V, 0~1.34A	±1.0%	200mV	89.0%
HLG-40H-36(A)	36V, 0~1.12A	±1.0%	200mV	89.0%
HLG-40H-42(A)	42V, 0~0.96A	±1.0%	200mV	90.0%
HLG-40H-48(A)	48V, 0~0.84A	±1.0%	300mV	90.0%
HLG-40H-54(A)	54V, 0~0.75A	±1.0%	300mV	90.0%

○ = A, B, D or Blank

HLG-60H Series

UL/CUL/TUV/CB/CE pending

Model No.	Output	Tol.	R&N	Effi.
HLG-60H-15(A)	15V, 0~4.0A	±2.0%	150mV	88%
HLG-60H-20(A)	20V, 0~3.0A	±1.0%	150mV	89%
HLG-60H-24(A)	24V, 0~2.5A	±1.0%	150mV	90%
HLG-60H-30(A)	30V, 0~2.0A	±1.0%	200mV	90%

Model No.	Output	Tol.	R&N	Effi.
HLG-60H-36(A)	36V, 0~1.70A	±1.0%	200mV	90%
HLG-60H-42(A)	42V, 0~1.45A	±1.0%	200mV	91%
HLG-60H-48(A)	48V, 0~1.30A	±1.0%	300mV	91%
HLG-60H-54(A)	54V, 0~1.15A	±1.0%	300mV	91%

○ = A, B, D or Blank

Junction Box for HLG Series



- Optional junction box available for HLG-80H~320H series (A-Type only). Please contact MEAN WELL for details.
- "UL8750 listed" safety approved for HLG-80H-□BL

HLG series

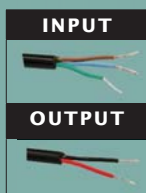
80~120W High Efficiency with PFC

Features

- Universal AC input (up to 305VAC) / Full range
- Protections:
 - Short circuit / Overload / Over voltage / Over temperature
- Built-in active PFC, PF>0.9 for 60% of load or higher
- High efficiency up to 94%
- IP67 / IP65 design for indoor or outdoor installations
- Output current adjustable through output cable or internal potential meter
- Cooling by free air convection
- Suitable for dry, damp and wet location
- Suitable for LED lighting and street lighting applications
- Multiple models for choice:
 - A-Type:** IP65 rated. Output and constant current level can be adjusted through internal potential meter
 - B-Type:** IP67 rated and built-in 3 in 1 dimming function (1~10VDC, PWM signal, or resistance)
 - Blank-Type:** IP67 rated. Cable for I/O connection
 - D-Type(option):** IP67 rated. Timer dimming function, contact MEAN WELL for details
- 5 years warranty

HLG-80H

HLG-100□/HLG-120□



AC input voltage range	□ = Blank or H type ; Blank: 90~264VAC, 127~370VDC ; H type: 90~305VAC, 127~431VDC	
AC inrush current (max.)	Cold start, 70A at 230VAC	Cold start, 75A at 230VAC
DC adjustment range	±10% rated output voltage (A Type only)	
Current adjustment range	50%~100% rated output current adjustable by internal potential meter or through output cable (62%~100% for HLG-100□)	
Overload protection	95%~108% constant current limiting, auto-recovery	
Over voltage protection	110%~140% rated output voltage	
Setup, rise, hold up time	1000ms, 80ms, 16ms at full load and 230VAC	2500ms, 50ms, 16ms at full load and 230VAC
Withstand voltage	I/P-O/P: 3.75kVAC, I/P-FG: 1.88kVAC, O/P-FG:0.5kVAC	
Working temperature	-40~+70°C (refer to output derating curve)	
Safety standards	UL8750, TUV EN61347-1, EN61347-2-13 approved; Design refer to UL60950-1, EN60950-1	
EMC standards	EN55015, EN55022 class B (except for HLG-80H), EN61000-3-2 class C, EN61000-3-3, EN61000-4-2,3,4,5,6,8,11, ENV50204, EN61547, EN55024	
Connection	Input	UL rated, 18AWGx3C (30cm)
	Output	A/D/Blank-Type: 18AWGx2C (30cm) ; B-Type: 18AWGx2C (30cm)+18AWGx2C (30cm)
Dimension (LxWxH) (mm)	195.6x 61.5x 38.8	220x 68x 38.8

HLG-80H Series



Model No.	Output	Tol.	R&N	Effi.
HLG-80H-12(A)	12V, 0~5.0A	±2.5%	150mV	88.0%
HLG-80H-15(A)	15V, 0~5.0A	±2.0%	150mV	89.0%
HLG-80H-20(A)	20V, 0~4.0A	±1.0%	150mV	90.5%
HLG-80H-24(A)	24V, 0~3.4A	±1.0%	150mV	91.0%
HLG-80H-30(A)	30V, 0~2.7A	±1.0%	200mV	91.0%
HLG-80H-36(A)	36V, 0~2.3A	±1.0%	200mV	91.0%
HLG-80H-42(A)	42V, 0~1.95A	±1.0%	200mV	91.0%
HLG-80H-48(A)	48V, 0~1.7A	±1.0%	200mV	91.0%
HLG-80H-54(A)	54V, 0~1.5A	±1.0%	200mV	91.0%

○ = A, B, D or Blank

HLG-100 Series



Model No.	Output	Tol.	R&N	Effi.
HLG-100□-20(A)	20V, 0~4.8A	±1.0%	150mV	93.5%
HLG-100□-24(A)	24V, 0~4.0A	±1.0%	150mV	93.5%
HLG-100□-30(A)	30V, 0~3.2A	±1.0%	200mV	93.5%
HLG-100□-36(A)	36V, 0~2.65A	±1.0%	200mV	93.5%

Model No.	Output	Tol.	R&N	Effi.
HLG-100□-42(A)	42V, 0~2.28A	±1.0%	200mV	93.5%
HLG-100□-48(A)	48V, 0~2.0A	±1.0%	200mV	93.5%
HLG-100□-54(A)	54V, 0~1.77A	±1.0%	200mV	93.5%

□ = Blank or H type; ○ = A, B, D or Blank

HLG-120 Series



Model No.	Output	Tol.	R&N	Effi.
★ HLG-120□-12(A)	12V, 0~10A	±2.5%	150mV	92.0%
HLG-120□-15(A)	15V, 0~8.0A	±2.0%	150mV	92.0%
HLG-120□-20(A)	20V, 0~6.0A	±1.0%	150mV	93.5%
★ HLG-120□-24(A)	24V, 0~5.0A	±1.0%	150mV	94.0%
HLG-120□-30(A)	30V, 0~4.0A	±1.0%	200mV	94.0%
HLG-120□-36(A)	36V, 0~3.4A	±1.0%	200mV	94.0%
HLG-120□-42(A)	42V, 0~2.9A	±1.0%	200mV	94.0%
★ HLG-120□-48(A)	48V, 0~2.5A	±1.0%	200mV	94.0%
HLG-120□-54(A)	54V, 0~2.3A	±1.0%	200mV	94.0%

□ = Blank or H type; ○ = A, B, D or Blank

★ CLG-120-12A/24A/48A are our popular models. We will keep sufficient stock for prompt delivery of high quantity orders.

HLC series

150~320W High Efficiency with PFC

Features

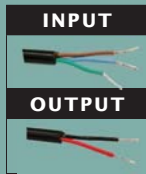
- Universal AC input (up to 305VAC) / Full range
- Protections:
Short circuit / Overload / Over voltage / Over temperature
- Built-in active PFC, PF>0.9 for 65% of load or higher
- High efficiency up to 95%
- IP67 / IP65 design for indoor or outdoor installations (except for C-Type)
- Output current adjustable through output cable or internal potential meter
- Cooling by free air convection
- Suitable for LED lighting and street lighting applications

- Multiple models for choice:
A-Type: IP65 rated. Output and voltage constant current level can be adjusted through internal potential meter
- B-Type:** IP67 rated and built-in 3 in 1 dimming function (1~10VDC, PWM signal, or resistance)
- C-Type:** Terminal block for I/O connection (HLC-240□/320H)
- Blank-Type:** IP67 rated. Cable for I/O connection
- D-Type(option):** IP67 rated. Timer dimming function, contact MEAN WELL for details
- 5 years warranty

HLC-150□/185□

HLC-240□

HLC-320H



AC input voltage range	□ = Blank or H type ; Blank: 90~264VAC, 127~370VDC ; H type: 90~305VAC, 127~431VDC	
AC inrush current (max.)	Cold start, 75A at 230VAC	
DC adjustment range	±10% rated output voltage ±6% rated output voltage	
Current adjustment range	50%~100% rated output current adjustable by internal potential meter or through output cable	
Overload protection	95%~108% constant current limiting, auto-recovery	
Over voltage protection	110%~140% rated output voltage	
Setup, rise, hold up time	2500ms, 80ms, 16ms	2500ms, 80ms, 15ms at full load and 230VAC
Withstand voltage	I/P-O/P: 3.75kVAC, I/P-FG: 1.88kVAC, O/P-FG: 0.5kVAC	
Working temperature	-40~+70°C (refer to output derating curve)	
Safety standards	UL8750, TUV EN61347-1, EN61347-2-13 approved for HLC-150□/185□/320H (320W pending) ; UL8750, TUV EN61347-1, EN61347-2-13, UL1012, UL60950-1, TUV EN60950-1 for HLC-240□	
EMC standards	EN55015, EN55022 class B, EN61000-3-2 class C, EN61000-4-2,3,4,5,6,8,11, ENV50204, EN61547	
Connection	Input	UL rated, 18AWGx3C (30cm); Terminal block for C type (HLC-240□/320H only)
	Output	A & Blank type: 14AWGx2C (30cm) ; B type: 14AWGx2C (30cm)+18AWGx2C (30cm); C type: Terminal block (HLC-240□/320H)
Dimension (LxWxH)(mm)	A/B/D/Blank-Type:	A/B/D/Blank-Type: 244.2x 68x 38.8
		C-Type: 251x 68x 38.8
	A/B/D/Blank-Type:	A/B/D/Blank-Type: 252x 90x 43.8
		C-Type: 256x 90x 43.8

HLC-150 Series



Model No.	Output	Tol.	R&N	Effi.
HLC-150□-12(A)	12V, 0~12.5A	±2.5%	150mV	92.0%
HLC-150□-15(A)	15V, 0~10.0A	±2.0%	150mV	92.5%
HLC-150□-20(A)	20V, 0~7.50A	±1.0%	150mV	93.0%
HLC-150□-24(A)	24V, 0~6.30A	±1.0%	150mV	93.5%
HLC-150□-30(A)	30V, 0~5.00A	±1.0%	200mV	93.5%
HLC-150□-36(A)	36V, 0~4.20A	±1.0%	200mV	93.5%
HLC-150□-42(A)	42V, 0~3.60A	±1.0%	200mV	94.0%
HLC-150□-48(A)	48V, 0~3.20A	±1.0%	200mV	94.0%
HLC-150□-54(A)	54V, 0~2.80A	±1.0%	200mV	94.0%

□ = Blank or H type; ○ = A, B, D or Blank

HLC-185 Series



Model No.	Output	Tol.	R&N	Effi.
★ HLC-185□-12(A)	12V, 0~13.0A	±2.5%	150mV	92.0%
HLC-185□-15(A)	15V, 0~11.5A	±2.0%	150mV	93.0%
HLC-185□-20(A)	20V, 0~9.30A	±1.0%	150mV	93.5%
★ HLC-185□-24(A)	24V, 0~7.80A	±1.0%	150mV	94.0%
HLC-185□-30(A)	30V, 0~6.20A	±1.0%	200mV	94.0%
HLC-185□-36(A)	36V, 0~5.20A	±1.0%	200mV	94.0%
HLC-185□-42(A)	42V, 0~4.40A	±1.0%	200mV	94.0%
★ HLC-185□-48(A)	48V, 0~3.90A	±1.0%	200mV	94.0%
HLC-185□-54(A)	54V, 0~3.45A	±1.0%	200mV	94.0%

□ = Blank or H type; ○ = A, B, D or Blank

★ HLC-185-12A/24A/48A & HLC-240-12A/24A/48A are our popular models. We will keep sufficient stock for prompt delivery of high quantity orders.

HLC-240 Series



Model No.	Output	Tol.	R&N	Effi.
★ HLC-240□-12(A)	12V, 0~16.0A	±2.5%	150mV	90.0%
HLC-240□-15(A)	15V, 0~15.0A	±2.0%	150mV	90.0%
HLC-240□-20(A)	20V, 0~12.0A	±1.0%	150mV	92.0%
★ HLC-240□-24(A)	24V, 0~10.0A	±1.0%	150mV	93.0%
HLC-240□-30(A)	30V, 0~8.00A	±1.0%	200mV	93.0%
HLC-240□-36(A)	36V, 0~6.70A	±1.0%	250mV	93.5%
HLC-240□-42(A)	42V, 0~5.72A	±1.0%	250mV	94.0%
★ HLC-240□-48(A)	48V, 0~5.00A	±1.0%	250mV	94.0%
HLC-240□-54(A)	54V, 0~4.45A	±1.0%	350mV	94.0%

□ = Blank or H type; ○ = A, B, C, D or Blank

HLC-320H Series



Model No.	Output	Tol.	R&N	Effi.
HLC-320H-12(A)	12V, 0~22.0A	±3.0%	150mV	91.0%
HLC-320H-15(A)	15V, 0~19.0A	±2.0%	150mV	92.5%
HLC-320H-20(A)	20V, 0~15.0A	±1.5%	150mV	93.5%
HLC-320H-24(A)	24V, 0~13.34A	±1.0%	150mV	94.0%
HLC-320H-30(A)	30V, 0~10.7A	±1.0%	200mV	94.0%
HLC-320H-36(A)	36V, 0~8.90A	±1.0%	250mV	94.5%
HLC-320H-42(A)	42V, 0~7.65A	±1.0%	250mV	95.0%
HLC-320H-48(A)	48V, 0~6.70A	±1.0%	250mV	95.0%
HLC-320H-54(A)	54V, 0~5.95A	±1.0%	350mV	95.0%

○ = A, B, C, D or Blank

HVG/ULP series

100~150W Single Output with PFC

100W High Input Voltage with PFC



234x 68x 38.8 mm

Under Development

- Wide input range 200~ 480VAC
- Protections: Short circuit / Overload / Over voltage / Over temperature
- Built-in active PFC
- High efficiency up to 92%
- IP67 / IP65 design
- Cooling by free air convection
- C.V. +C.C. mode design (HVG-100)

- Constant current design (HVGC-100)
- Output current adjustable through output cable or internal potential meter
- Suitable for dry, damp and wet location
- Suitable for LED lighting and street lighting applications
- Multiple models for choice:
 - A-Type:** IP65 rated. Output voltage and constant current level can be adjusted through internal potential meter
 - B-Type:** IP67 rated and built-in **3 in 1 dimming function** (1~10VDC, PWM signal, or resistance)
 - D-Type (option):** IP67 rated. Timer dimming function, contact MEAN WELL for details.

• 5 years warranty

AC input voltage range	200~480VAC; 282~679VDC	
DC adjustment range	±10% rated output voltage	
Current adjustment range	50%~100% rated output current adjustable by internal potential meter or through output cable	
Overload protection	95%~108% constant current limiting	
Over voltage protection	110%~140% rated output voltage	
Withstand voltage	I/P-O/P: 3.75kVAC, I/P-FG: 1.88kVAC, O/P-FG: 0.5kVAC	
Working temperature	-40~+70°C	
Safety standards	Design refer to UL8750, TUV EN61347-1, EN61347-2-13	
EMC standards	EN55015, FCC part 18 class A, EN61000-3-2 class C, EN61000-3-3, EN61000-4-2,3,4,5,6,8,11, ENV50204, EN55024, EN61547	
Connection	Input	UL rated, 18AWGx3C (30cm)
	Output	A&D type: 18AWGx2C (30cm) ; B type: 18AWGx2C (30cm)+ 18AWGx2C (30cm)

HVG-100 Series (C.V. mode)

UL/CUL/CE pending

Model No.	Output	Tol.	R&N	Effi.
HVG-100-15(A)	15V, 0~5.0A	±2.0%	150mV	90%
HVG-100-20(A)	20V, 0~4.8A	±1.0%	150mV	90%
HVG-100-24(A)	24V, 0~4.0A	±1.0%	150mV	91%
HVG-100-30(A)	30V, 0~3.2A	±1.0%	200mV	91%
HVG-100-36(A)	36V, 0~2.65A	±1.0%	200mV	91%
HVG-100-42(A)	42V, 0~2.28A	±1.0%	200mV	91%
HVG-100-48(A)	48V, 0~2.0A	±1.0%	200mV	91%
HVG-100-54(A)	54V, 0~1.77A	±1.0%	200mV	91%

○ = A, B or D

HVGC-100 Series (C.C. mode)

UL/CUL/CE pending

Model No.	Output	Io Tol.	R&N	Effi.
HVGC-100-350(A)	170~285V, 350mA	±5%	3V	92%
HVGC-100-700(A)	85~142V, 700mA	±5%	1.5V	92%

150W U-Bracket Single Output with PFC



215x 67.4x 33 mm

- Universal AC input (up to 295VAC) / Full range
- Built-in active PFC circuit compliance to EN61000-3-2 class C
- High efficiency up to 93%
- Protections: Short circuit / Overload / Over voltage / Over temp.
- Constant voltage design
- Cooling by free air convection
- U-bracket low profile: 33mm
- 3 years warranty

AC input voltage range	90~295VAC; 127~417VDC
AC inrush current (max.)	Cold start, 65A at 230VAC
Overload protection	130%~185% hiccup mode, auto-recovery
Over voltage protection	110%~135% hiccup mode, auto-recovery
Setup, rise, hold up time	2000ms, 100ms, 16ms at full load and 230VAC
Withstand voltage	I/P-O/P: 3.75kVAC, I/P-FG: 1.88kVAC, O/P-FG: 0.5kVAC
Working temperature	-30~+70°C (refer to output derating curve)
Safety standards	Design refer to UL8750, EN61347-1, EN61347-2-13
EMC standards	EN55015, EN61000-3-2 class C, EN61000-3-3, EN61547, ENV50204, EN61000-4-2,3,4,5,6,8,11, EN55024

Model No.	Output	Tol.	R&N	Effi.
ULP-150-12	12V, 0~12.5A	±2%	100mV	91.5%
ULP-150-15	15V, 0~10.0A	±2%	150mV	91.5%
ULP-150-24	24V, 0~6.30A	±2%	150mV	93.0%
ULP-150-36	36V, 0~4.20A	±2%	250mV	93.0%
ULP-150-48	48V, 0~3.20A	±2%	250mV	93.0%

LDH Series

DC/DC 6~12 Channel Output LED Driver

- DC input range: 12~60VDC
- DC output range: 8~56VDC(2~16LEDs)
- Output channel: 6 / 8 / 10 / 12
- Constant current design (350mA or 700mA)
- Output current accuracy: ±5%
- High efficiency up to 95%
- Fully encapsulated with IP67 level
- Cooling by free air convection
- Dimension(LxWxH): 126.8x 61.5x 38.8mm
- 3 years warranty

LDV/LDD series

Multiple Channel Output / DC-DC Driver

185W Multiple Channel Output with PFC

 CE pending



- 180~305VAC input range
- 6CH/700mA or 12CH/350mA constant current output
- Built-in active PFC
- Protections: Short circuit / Overload / Over voltage / Over temp.
- Cooling by free air convection
- IP67 design for indoor or outdoor installations
- 3 years warranty

222.2x 90x 38.8 mm

AC input voltage range	180~305VAC	
AC inrush current	Cold start, 60A at 230VAC	
Over voltage protection	A: 41~50V, B: 47~50V, C: 54~63V	
Working temperature	-40°C~+70°C	
Safety standards	Design refer to UL8750, EN61347-1, EN61347-2-13	
EMC standards	EN55015 class B, EN61000-3-2 class C, EN61000-3-3, EN61547, ENV50204, EN61000-4-2,3,4,5,6,8,11	
Connection	Input	UL rated, 18AWGx3C(30cm)
	Output	6 CH: 22AWGx13C (15cm) with one connector 12CH: 22AWGx12C/13C (15cm) with two connector

Model No.	Output	Io Tol.	Effi.	Max.
LDV-185-350A	32~38V, 350mA	±5%	88.5%	159.6W
LDV-185-350B	37~43V, 350mA	±5%	88.5%	180.6W
LDV-185-350C	42~52V, 350mA	±5%	88.5%	182.0W
LDV-185-700A	32~38V, 700mA	±5%	88.5%	159.6W
LDV-185-700B	37~43V, 700mA	±5%	88.5%	180.6W
LDV-185-700C	42~52V, 700mA	±5%	88.5%	182.0W

DC/DC Constant Current LED Driver



H type
31.8x 20.3x 10.2mm

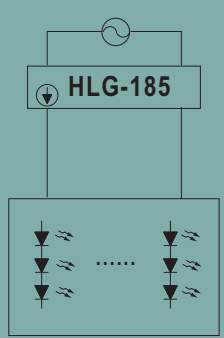
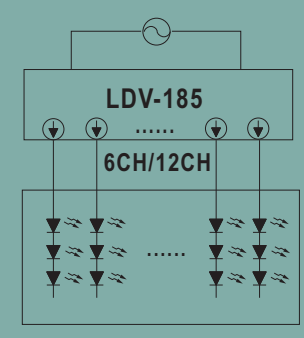
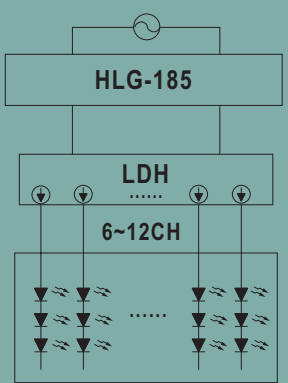
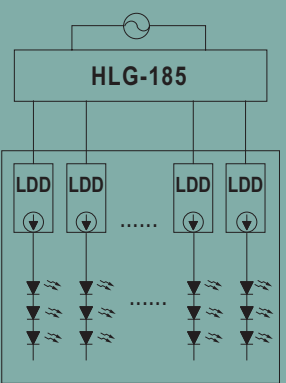


L type
22.6x 9.9x 8.9mm

- Constant current LED driver
- Wide input and output voltage range
- High efficiency up to 97%
- Comply with EN55015 and FCC part 15 without additional input filter and capacitors
- Built-in PWM dimming control
- Protections: Short circuit / Over temperature
- Compact size
- Cooling by free air convection
- Fully enclosed plastic case (UL 94V-0)
- Low cost, high reliability
- 2 years warranty

Model No.	Input (VDC)	Output		Io Tol.	Effi.
		Voltage (VDC)	Current (mA)		
LDD-300L	9~36	2~32	300	±5%	95%
LDD-350L	9~36	2~32	350	±5%	95%
LDD-500L	9~36	2~32	500	±5%	95%
LDD-600L	9~36	2~32	600	±5%	95%
LDD-700L	9~36	2~32	700	±5%	95%
LDD-300H	9~56	2~52	300	±5%	97%
LDD-350H	9~56	2~52	350	±5%	97%
LDD-500H	9~56	2~52	500	±5%	97%
LDD-600H	9~56	2~52	600	±5%	97%
LDD-700H	9~56	2~52	700	±5%	97%
LDD-1000H	9~56	2~52	1000	±5%	97%

► To design a LED street lamp, what solution can MEAN WELL offer?

HLG-185 Direct Drive	LDV-185 Multiple Channel C.C. Output	HLG-185+LDH AC/DC PSU+DC/DC Driver	HLG-185+LDD AC/DC PSU+DC/DC Driver
			
<ul style="list-style-type: none"> ▪ Lowest price ▪ Simplest design ▪ Failure in any string will affect other strings ▪ Unbalanced current in each string 	<ul style="list-style-type: none"> ▪ Built-in DC/DC driver ICs in LDV-185 ▪ Each channel need to have the same LED quantity ▪ Balanced current supply ▪ Lower price 	<ul style="list-style-type: none"> ▪ Higher price ▪ Independent C.C. output, balanced current in each string ▪ Largest size in power stage 	<ul style="list-style-type: none"> ▪ Higher price ▪ Independent C.C. output, balanced current in each string ▪ Additional mounting space for LDD is required

► Please refer to <http://www.meanwell.com/product/led/led.html> for more detail information.

How to Choose A Suitable LED Power Supply?

- Decide a suitable wattage level, including safety margin.
- Verify your design of LED driving circuit: direct drive by PSU [choose a constant current (C.C.) mode LED power supply] or add additional driving IC to get a more precise constant current level [choose LDV-185, LDD or LDH series].
- Verify whether the application need PFC function.
- Verify location of assembly and the required level against dust and humidity for the LED power supply (enclosure style, IP level, dry/damp/wet location).
- Verify the required safety certificates.
- Need to adjust the output voltage and/or output current or need the dimming function ?

► Suggested System Design

Setting	Circuit Diagram	Description	Advantage & Disadvantage
Use constant current (C.C.) mode power supply only		<p>Using MEAN WELL's C.C. mode LED power supply as constant current source and feed the LED arrays directly.</p> <p>MEAN WELL product: APC / LPC / ELN / PLN / PLC / LPF / HLN / PLD / CLG / CEN / HLG / PLP / HLP families</p>	<p>Advantage</p> <ul style="list-style-type: none"> • Simplest design, no need LED driver IC • Lowest price • Highest efficiency with the best lumen per watt(lw/w) <p>Disadvantage</p> <ul style="list-style-type: none"> • Unbalanced driving current and shorter LED life time • LED chips should be sorted for similar VF
Use multiple channel C.C. mode power supply		<p>Using multiple channel LED PSU with DC/DC constant current LED driver ICs built-in. Each LED strip can get balanced driving current.</p> <p>MEAN WELL product: LDV-185 series</p>	<p>Advantage</p> <ul style="list-style-type: none"> • Built-in driver ICs in the unit • Moderate price <p>Disadvantage</p> <ul style="list-style-type: none"> • Each channel need to have the same LED quantity • Lower system efficiency comparing to the direct drive method
Use constant voltage (C.V.) mode power supply with DC-DC LED driver		<p>Using AC/DC C.V. mode LED power supply and separate DC/DC LED drivers.</p> <p>MEAN WELL product: LDD or LDH series</p>	<p>Advantage</p> <ul style="list-style-type: none"> • Independent output channels, the most balanced current for paralleled LED strips • No need to sort the VF of LED • Longer LED lifetime • Failures in any string do not affect the other strings <p>Disadvantage</p> <ul style="list-style-type: none"> • Higher price • Complicated circuit design • Lowest efficiency • Largest in power supply volume

Quick Selection Map

Note

At the moment of power on, the LED power supply will work in C.V. mode and can provide a peak output current; after the LED turns on, the LED power supply will go into C.C. mode (patent pending).

Constant Voltage + Constant Current (C.V.+C.C.)
Note

Constant Voltage (C.V.)



Comparison Chart

Family		PFC (Note 1)		AC Input Range (VAC)	Potted	C.C. or C.V.	IP	Dimming (Note 2)	Vo / Io Adj	Max. Eff.	Warranty (years)	Remark		
Series Name	Type (Note 3)	Single Stage	Two Stage											
HLG-40H / 60H / 80H / 100□ / 120□ / 150□ / 185□ / 240□ / 320H	A ★			H: 90~305 Non-H: 90~264	✓	C.V.+C.C.	65		✓	95%	5			
	B						67	3 in 1						
	C (240W/320W only)		✓											✓
	D (option)							67	Timer					
	Blank							67						
HVG(C)-100	A ★			200~480	✓	C.V.+C.C.	65		✓	91%	5			
	B		✓				67	3 in 1						
	D (option)						67	Timer						
CLG-150	A ★			90~295	✓	C.V.+C.C.	65		✓	91%	3			
	B		✓				67							
	C													✓
	Blank							67						
CLG-100			✓	90~295	✓	C.V.+C.C.	67			90%	3			
CLG-60		✓		90~295	✓	C.V.+C.C.	67			89%	3			
CEN-60 / 75 / 100		✓		90~295		C.V.+C.C.	66		✓	91%	3			
ULP-150			✓	90~295	✓ (half)	C.V.			Vo	93%	3	U-bracket		
LDV-185			✓	180~305	✓	C.C.	67			88.5%	3	Multiple channel C.C. output		
HLN-40H / 60H / 80H	A			90~305	✓	C.V.+C.C.	64		✓	91%	3			
	B							3 in 1						
LPF-40□ / 60□ / 90□	D			90~305	✓	C.V.+C.C.	67		3 in 1	91%	3	Class II input (no F.G)		
	Blank													
PLN-100			✓	90~295		C.V.+C.C.	64		✓	90%	2			
PLN-30 / 45 / 60		✓		90~295		C.V.+C.C.	64		✓	89%	2			
PLN-20		✓		90~277		C.V.+C.C.	64		Io	83.5%	2			
PLC-100			✓	90~264		C.V.+C.C.			✓	90%	2	Terminal block I/O		
PLC-30 / 45 / 60		✓		90~264		C.V.+C.C.			✓	89%	2	Terminal block I/O		
PCD-16 / 25		✓		A: 90~135 B: 180~295	✓ (half)	C.C.		AC Phase-Cut		82%	3			
PLD-25		✓		90~295	✓ (half)	C.C.				86%	3			
PLP-20 / 30 / 45 / 60		✓		20W: 90~277 30~60W:90~264		C.V.+C.C.			Io	89%	2	PCB type		
HLP-40H / 60H / 80H			✓	90~305		C.V.+C.C.		3 in 1	✓	91%	3	PCB type		
ELN-30 / 60				90~264		C.V.+C.C.	64	1~10Vdc or PWM	✓	88%	2			
LPH / LPL-18 LPV-20 / 35 / 60 / 100				LPH: 180~264 LPL: 90~132 LPV: 90~264	✓	C.V.	67			89%	2			
LPHC / LPLC-18 LPC-20 / 35 / 60				LPHC: 180~264 LPLC: 90~132 LPC: 90~264	✓	C.C.	67			87%	2			
APC-12 / 16				90~264	✓ (16W half)	C.C.				82%	2			
APV-12 / 16				90~264	✓ (16W half)	C.V.				82%	2			

Note 1 ■ Single-Stage PFC : No hold-up time and higher Ripple & Noise. Not to use in regions with unstable utility status is highly recommended. (For C.V. mode operation, please refer to the application Q&A on MEANWELL LED website.)

■ Two-Stage PFC : Longer hold-up time and lower Ripple & Noise. Suitable for LED lighting and general industrial applications.

■ Non-PFC : PF<0.6 and target at regions where PFC compliance does not required.

Note 2 3-in-1 dimming: 1~10Vdc, PWM signal, or resistance. Timer: Timmer dimming function, please contact MEANWELL for details.

Note 3 ★ are popular models and will have sufficient stock for prompt delivery of high quantity orders.



Taiwan

明緯企業股份有限公司

MEAN WELL ENTERPRISES CO., LTD.

新北市五股工業區五權三路28號

No.28, Wu-Chuan 3rd Road, Wu Ku Ind. Park,

New Taipei City, Taiwan, 248

Tel +886-2-2299-6100 (rep.) **Fax** +886-2-2299-6200 (rep.)

+886-2-2298-0818 (sales)

E-mail info@meanwell.com **Web** www.meanwell.com

China

明緯(廣州)電子有限公司

MEAN WELL (GUANGZHOU) ELECTRONICS CO., LTD.

廣州市天河區東圃鎮黃村大道粵安工業園A棟2樓

2nd Floor, No. A Building, Yuan Ind. Park, Dongpu Town,

Tianhe District, GuangZhou, China

Tel +86-20-2887-1200 **Fax** +86-20-8201-0507

E-mail info@meanwell.com.cn **Web** www.meanwell.com.cn

China

蘇州明緯科技有限公司

SUZHOU MEAN WELL ELECTRONICS CO., LTD.

江蘇省蘇州市相城區黃埭鎮潘陽工業園東橋健民路77號

No. 77, Jian-Ming Rd. Dong-Qiao, Pan-Yang Ind. Park,

Huang-Dai Town, Xiang-Cheng District, SuZhou,

Jiang-Su, China

Tel +86-512-6508-8600 **Fax** +86-512-6508-8700

E-mail info@meanwell.cc **Web** www.meanwell.cc

U.S.A.

MEAN WELL USA, INC.

44030 Fremont Blvd., Fremont, CA 94538, U.S.A.

Tel +1-510-683-8886

Fax +1-510-683-8899

E-mail info@meanwellusa.com

Web www.meanwellusa.com

Europe

MEAN WELL EUROPE B.V.

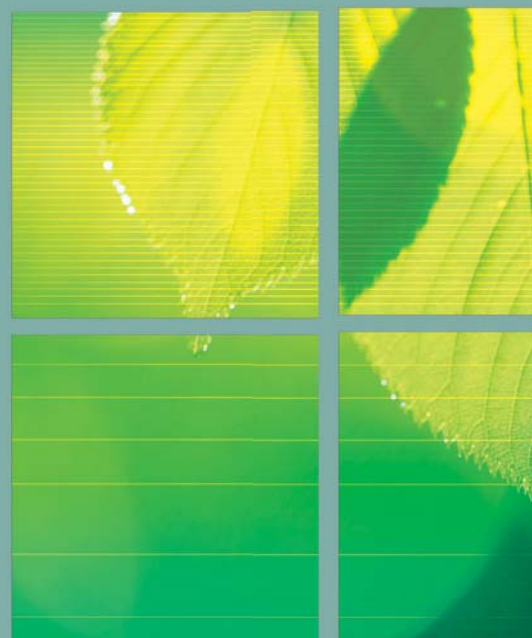
Spinnerij 73-75, 1185 ZS Amstelveen, the Netherlands

Tel +31-20-345-3795

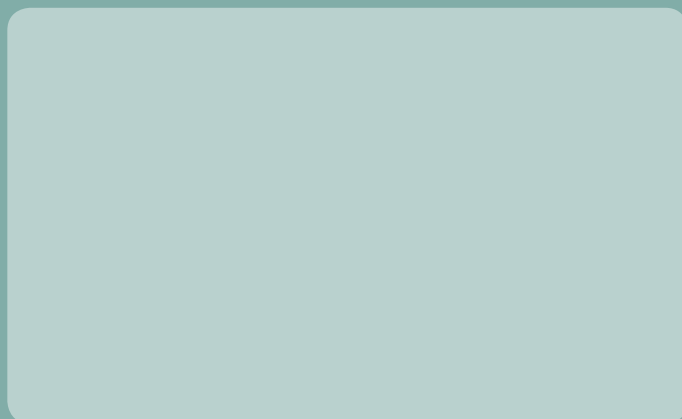
Fax +31-20-640-3547

E-mail info@meanwell.eu

Web www.meanwell.eu



Please contact your local distributor:



www.meanwell.com